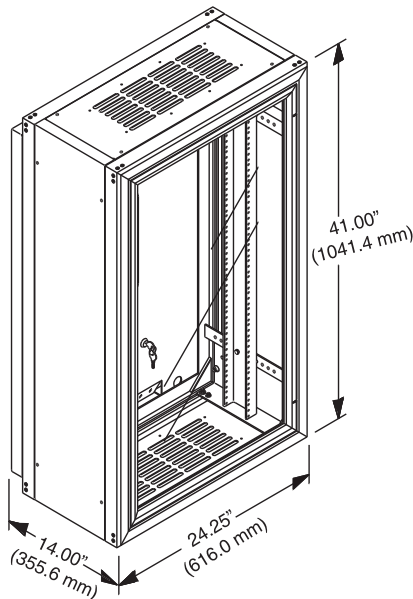


SILVER FRAME WALL-MOUNT CABINET



Usable Height: 41" (1040 mm) = 36" (910 mm)/20U
 Usable Depth: 14" (360 mm) = 10.19" (258.8 mm)
 Usable Width: 24" (610 mm) = 20.19 (512.8 mm)
 Usable Width: 24.3" (617 mm) = 19" (480 mm)

Silver Frame Wall-Mount Cabinet

The Silver Frame Wall-Mount Cabinet provides an elegant and premium quality enclosure for protecting and securing your rack-mount equipment. Uses less space than conventional floor racks or enclosures. Unique dual-locking hinge design provides convenient front and rear access. With the 5.5" x 10.3" (140 mm x 262 mm) cable pass-through port in the center of the back panel, it is possible to route cable through the wall directly into the mounted cabinet for a more secure installation.

Rack-mounting surface depth is adjustable front to back 7-1/2" (191 mm) for 14" (360 mm) depth and 16-1/2" (419 mm) for 24" (610 mm) depth. 36" (910 mm) usable mounting height (20U). Universal 5/8"-5/8"-1/2" (15.9 mm -15.9 mm -12.7 mm) alternating hole pattern on both front and back sides.

- Unique dual locking hinge design
- Strong, lightweight aluminum construction
- 19" rack width
- Vented top and bottom for optimum airflow
- Adjustable rack-mounting surface
- Includes (50) #12-24 mounting screws; black painted units ship with black screws, white units ship with zinc screws
- Installation hardware included: 1/4" lag screw for backboard or stud mounting and Saf-T-Grip® Cable Management Straps for cable routing
- Ships fully assembled
- Supports up to 150 lb (68 kg)

| Part Number | Description H x W x D in (mm) | Shipping Weight lb (kg) |
|---|-------------------------------------|----------------------------|
| Silver Frame Cabinet w/Smoked Plexiglass Doors | | |
| 11680-X19 | 41 x 24.3 x 14 (1040 x 617 x 360) | 61 (27.7) |
| 11685-X19 | 41 x 24.3 x 24 (1040 x 617 x 610) | 71 (32.2) |
| Silver Frame Cabinet with Solid Metal Doors | | |
| 12680-X19 | 41 x 24.3 x 14 (1040 x 617 x 360) | 61 (27.7) |
| 12685-X19 | 41 x 24.3 x 24 (1040 x 617 x 610) | 71 (32.2) |

X=color: 2=White, 7=Black



Fan/Filter Kit

Fan pressurizes enclosure, forcing warmer air out top vents. Fan is rated for 200 CFM and has an attached 5'6"L (1.6 m) power cord with NEMA 5-15P plug. (37 dB noise level)

| Part Number | Description | Shipping Weight lb (kg) |
|-------------|--|----------------------------|
| 11755-003 | 200 CFM, 115 VAC, 50/60 Hz, NEMA 5-15P | 3 (1.4) |
| 11222-001 | Replacement Filters, Set of 4 | 1 (0.5) |