

LE-D-SS

Surface Mount Vandal Resistant Sub Station for LEM, LEF, LAF/LDF, MP-S, AP-M Systems

- INSTRUCTIONS -

The LE-D-SS is a surface mount stainless steel vandal and weather resistant sub station designed for use with the systems listed above. This unit is constructed with 12 gauge stainless steel and can be mounted to any flat surface with provided box. Each unit includes tamper proof screws, speed nuts and a tool for installation.

INSTALLATION:

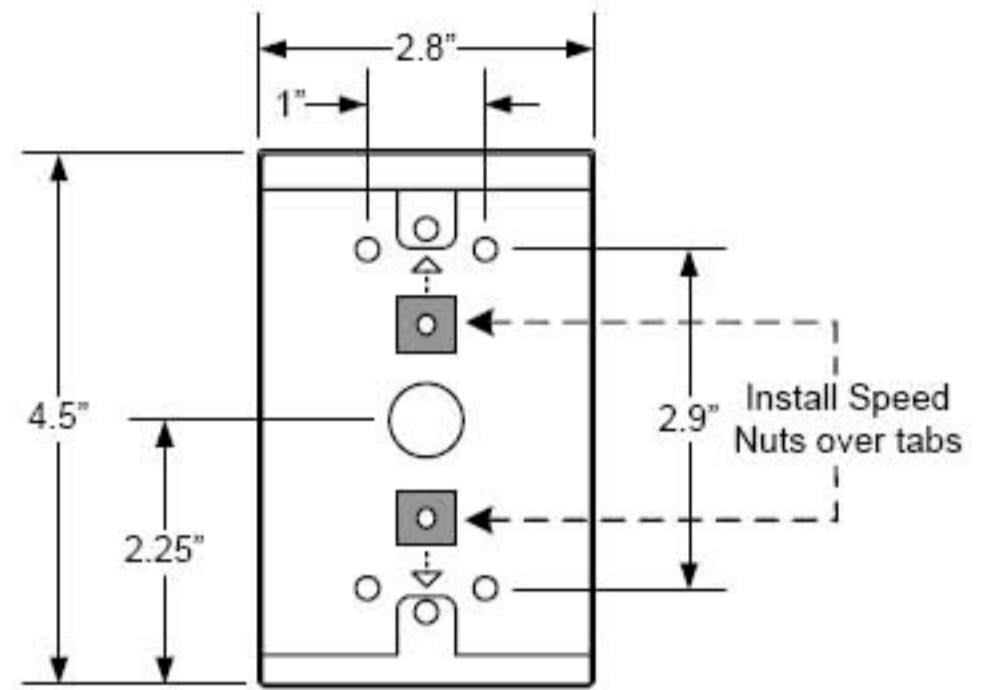
1. Secure provided box to any flat wall surface. Slide speed nuts onto tabs. Mount speaker unit into box with supplied tamper proof screws.
2. **IMPORTANT!** This unit is designed for use in normal weather conditions, and to allow drainage and evaporation of moisture that naturally gets inside. **Do not apply caulking or silicone sealant around the unit when installing, and do not use weather stripping around the perimeter of the box when mounting.** If sealing the unit is required, the bottom must remain unsealed. Sealing the unit will prevent or inhibit moisture from dissipating, which may cause corrosion or deterioration to the internal components over time. Warranty does not cover damage caused by sealing the unit in this manner.

LE-D-SS



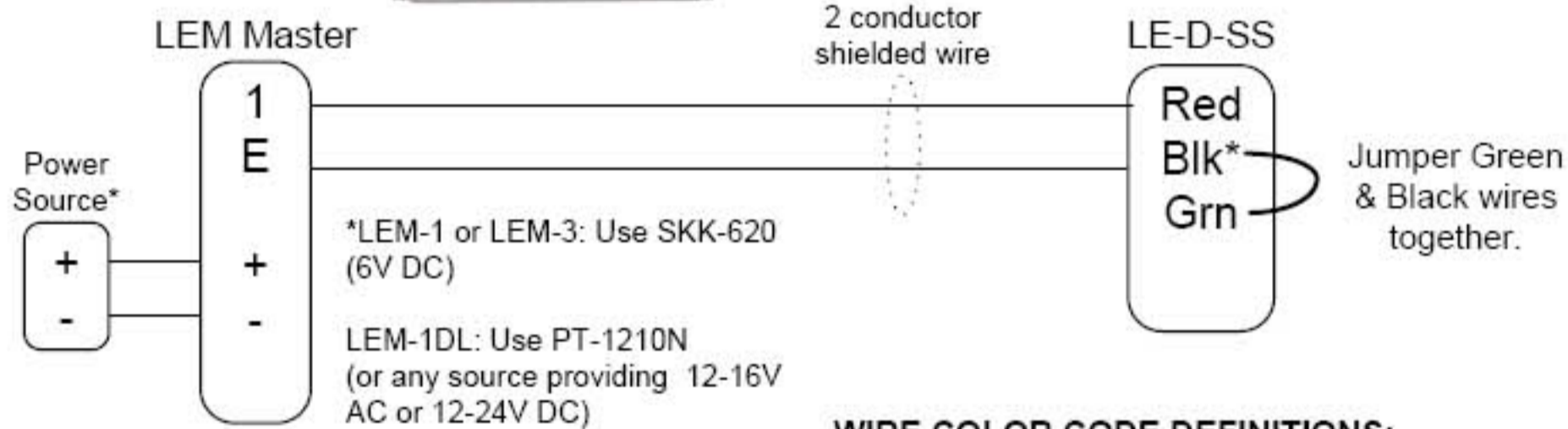
MOUNTING:

Surface mount box dimensions



WIRING DIAGRAMS:

LEM SYSTEM:



WIRE COLOR CODE DEFINITIONS:

- Red: Positive of speaker & call switch, connect to # of master
- Black: Common communication, connect to E of master
- Green: Negative of call switch, connect to - of master (unless jumpered with Black)

LEF, LAF-C, or LDF-C SYSTEM:

