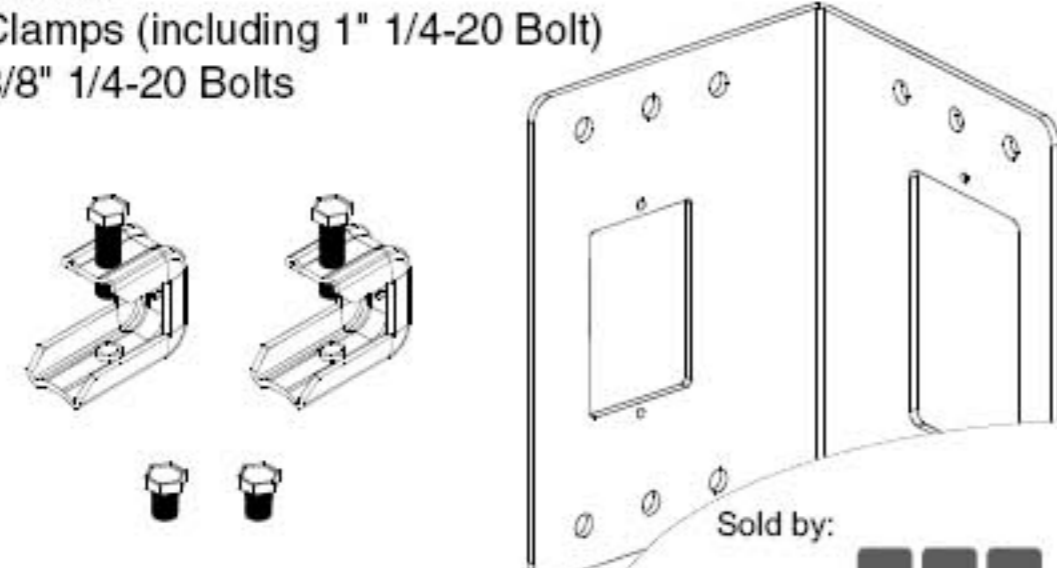


Items included in part CIBB:


- 1 - Bracket
- 2 - Clamps (including 1" 1/4-20 Bolt)
- 2 - 3/8" 1/4-20 Bolts




Optional Accessories:
(not included)

Panduit Part Number CIBCL
Includes:

- 1 Clamp (with 1 - 1" 1/4-20 Bolt)
- 1 Cable Loop



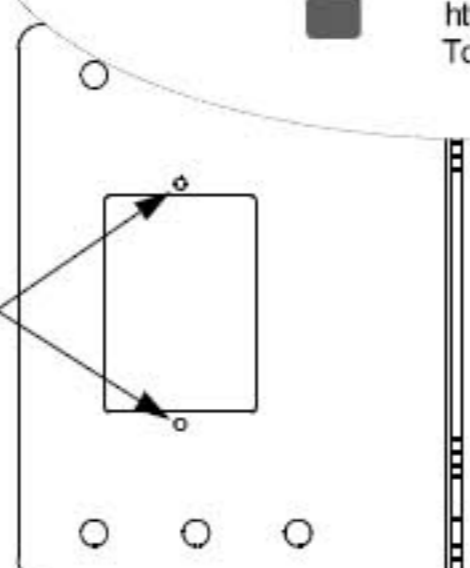
Sold by:



TWAcomm.com
<http://www.TWAcomm.com>
 Toll Free: (877) 892-2666

Surface Mount Boxes that fit this side:

- CBX2
- * CBX4
- CBXC4
- CBXF6
- CBXF12



Mounting holes

Surface Mount Boxes that fit this side:

- CBX4
- * CBXS4
- * CBXS6
- * CBXD6
- CBXF6
- CBXF12

Mounting holes

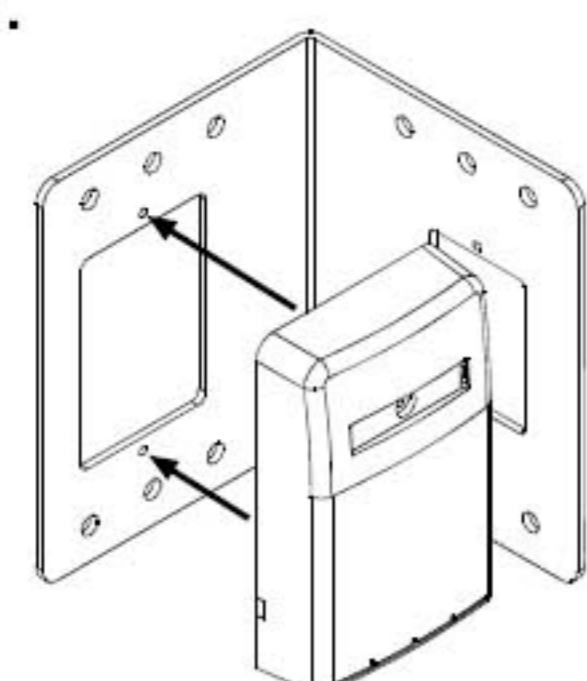
All Single Gang Faceplates will fit this side

* Indicates product must be rotated 90° in order for mounting holes to align.

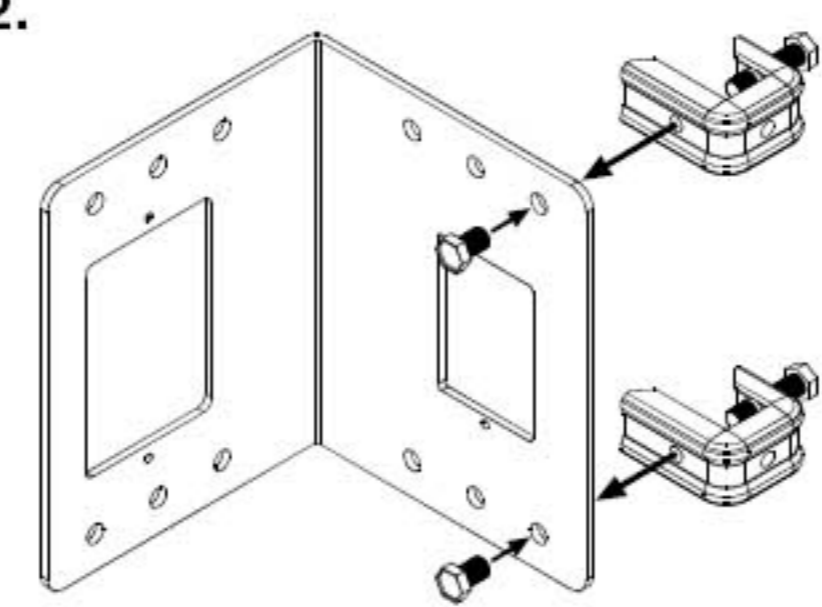
Installation

(Shown using the CBX4 surface mount box)

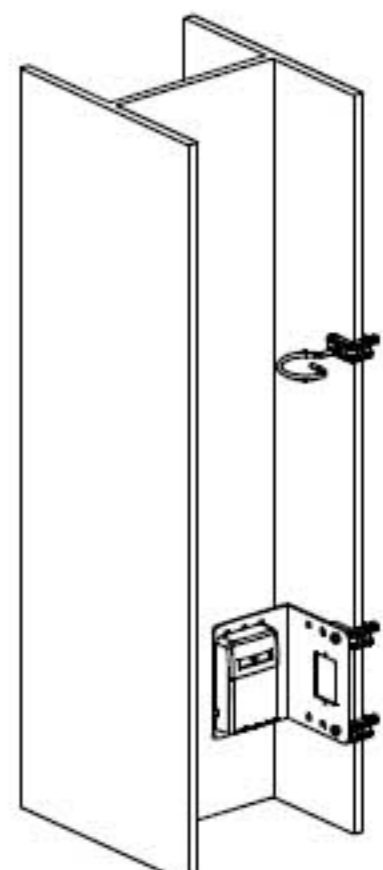
1.



2.



3.



1. Use the 1" #6-32 screws included with each surface mount box to mount boxes to the bracket.
2. Choose hole for desired depth. Insert 3/8" bolt into hole. Line up with mating hole on clamp and screw together.
3. Clamp assembly to I-Beam in desired location.