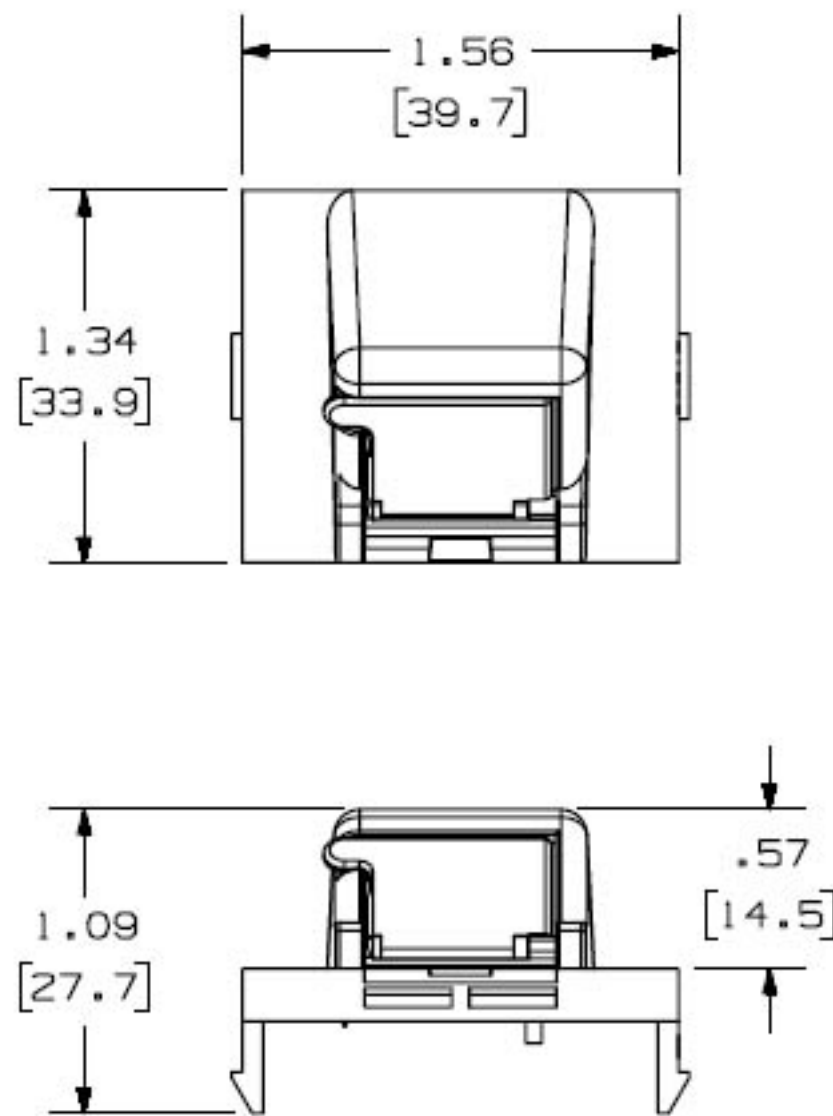
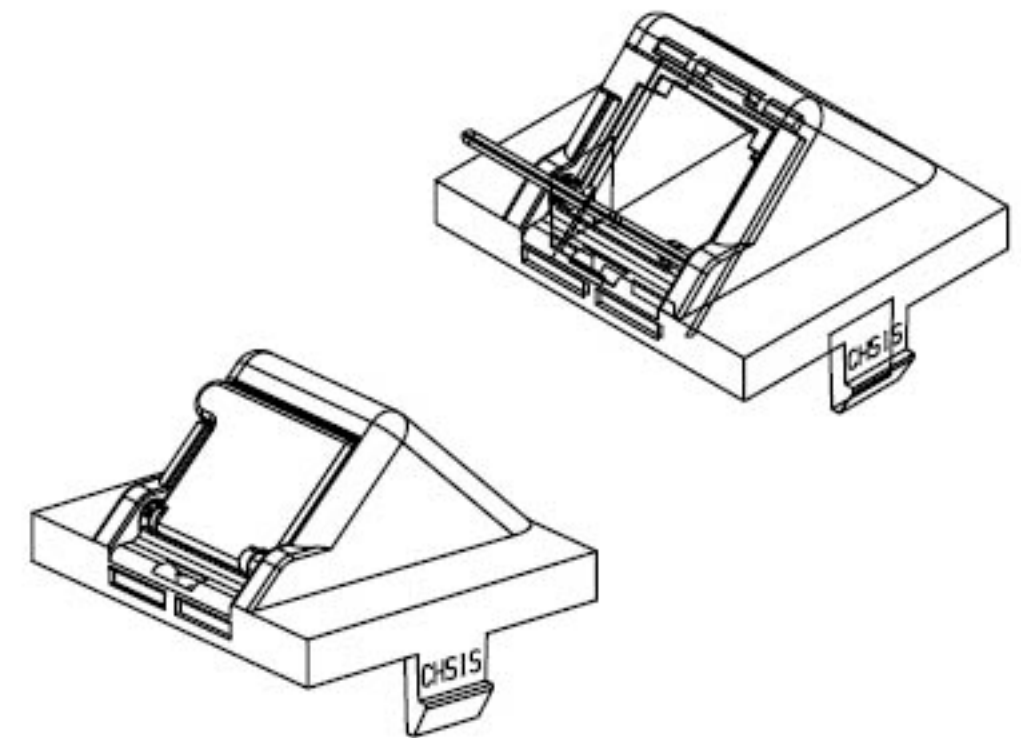
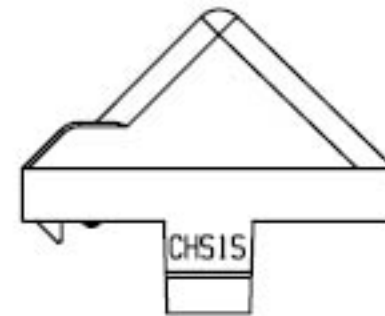


THIS COPY IS PROVIDED ON A RESTRICTED BASIS AND IS NOT TO BE USED IN ANY WAY DETRIMENTAL TO THE INTERESTS OF PANDUIT CORP.



* PANDUIT P/N	WEIGHT
CHS1S**	.15 LB/10 PCS (68.0 g/10 PCS)

- NOTES:
- * 1. SEE CURRENT CATALOG FOR ADDITIONAL PART NUMBER SUFFIXES TO INDICATE COLOR AND OR PACKAGE QUANTITY.
 - 2. THIS PART IS TO BE USED WITH THE MINI-COM BEZELS AND MINI-COM MODULES.
 - 3. DIMENSIONS IN PARENTHESES ARE IN METRIC.



Sold by:



CAD FILENAME/LAYERS		M00762AA_DC_00A.PRT	
PANDUIT CORP. TINLEY PARK, ILLINOIS			
1 POSITION SLOPED SHUTTERED INSERT (CHS1S**) CUSTOMER DRAWING			
UNLESS OTHERWISE SPECIFIED, DIMENSIONAL TOLERANCES ARE: (.X) ± (.XXX) ± .010 (.3) (.XX) ± .03 (.8) ANGLES ±		UNLESS OTHERWISE SPECIFIED, ALL DIMENSIONS ARE GIVEN IN INCHES, THIRD ANGLE PROJECTION.	
DRAWN BY JsP	MAT'L: ABS	SCALE NONE	
DATE 10-27-99	CHECKED BY	DRAWING NO. 00762-03	DWG SIZE A

REV	DATE	BY	CHK	DESCRIPTION	ECN	CHK	CUST	SUP
R	10-27-99	JsP		RELEASED TO PRODUCTION.	00762-03			