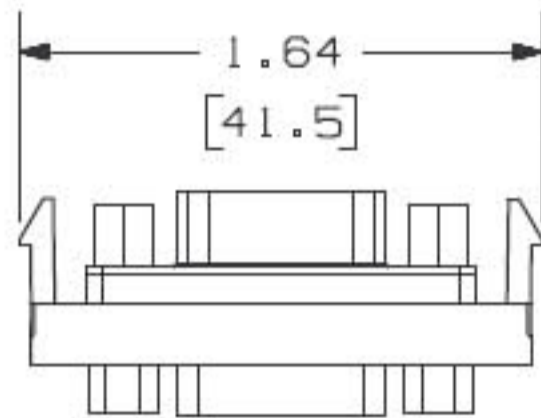


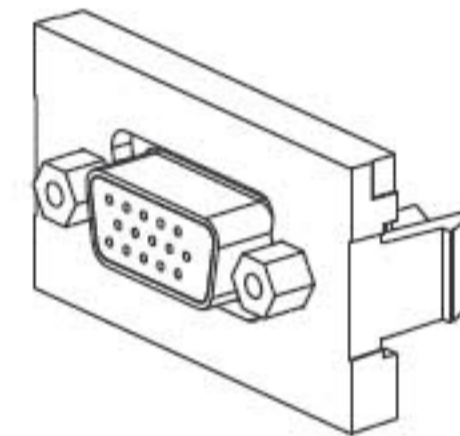
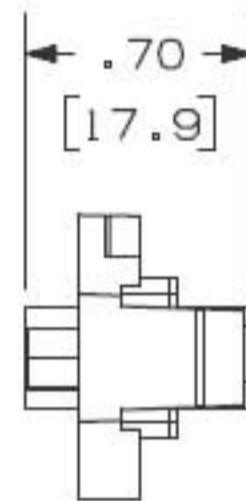
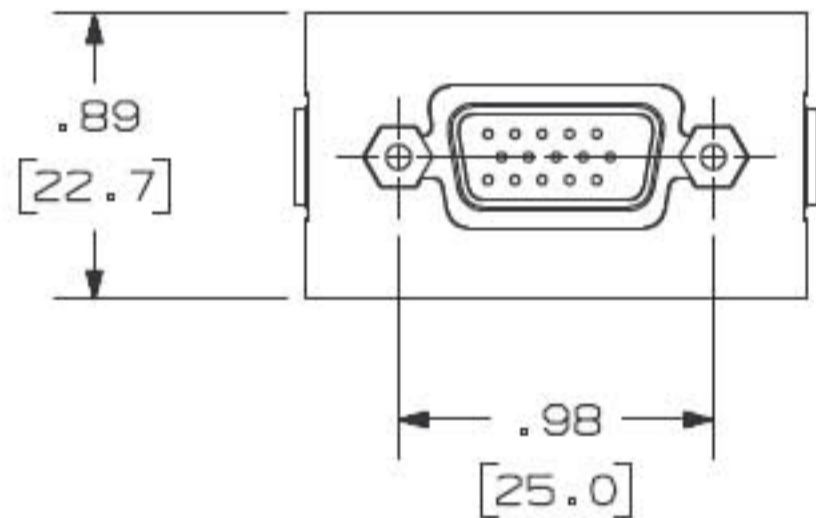
THIS COPY IS PROVIDED ON A RESTRICTED BASIS AND IS NOT TO BE USED IN ANY WAY DETRIMENTAL TO THE INTERESTS OF PANDUIT CORP.

PANDUIT P/N	WEIGHT
CHD15HDC**	.28 LB/10 PCS (125.9 g/10 PCS)



NOTES:

1. SEE CURRENT CATALOG FOR ADDITIONAL PART NUMBER SUFFIXES TO INDICATE COLOR AND OR PACKAGE QUANTITY.
2. SEE CATALOG FOR COMPLETE LIST OF PARTS APPLICABLE FOR USE WITH THIS PART.
3. DIMENSIONS IN PARENTHESES ARE IN METRIC.
4. PART TO WORK WITH ALL PANDUIT FACEPLATE FRAMES.



CAD FILENAME/LAYERS M01095AB_DC_01B.PRT

PANDUIT CORP. TINLEY PARK, ILLINOIS

MINI-COM 15 PIN HIGH DENSITY SVGA 1/3 INSERT COUPLER (CHD15HDC**) CUSTOMER DRAWING

UNLESS OTHERWISE SPECIFIED, DIMENSIONAL TOLERANCES ARE:
 (.X) ± (.XXX) ± .010(.3)
 (.XX) ± .03(.8) ANGLES ±

UNLESS OTHERWISE SPECIFIED, ALL DIMENSIONS ARE GIVEN IN INCHES, THIRD ANGLE PROJECTION.

REV	DATE	BY	CHK	DESCRIPTION	ECN	CHK	CUST	SUP
I	2-16-01	JsP		A. ADDED "C" TO PART NO.	01095-07			
R	1-26-01	JsP	PBD	RELEASED TO PRODUCTION.	01095-07	PBD		

DRAWN BY JsP	MAT'L B	SCALE NONE
DATE 1-26-01		DRAWING NO. 01095-07
CHECKED BY PBD		DWG A SIZE