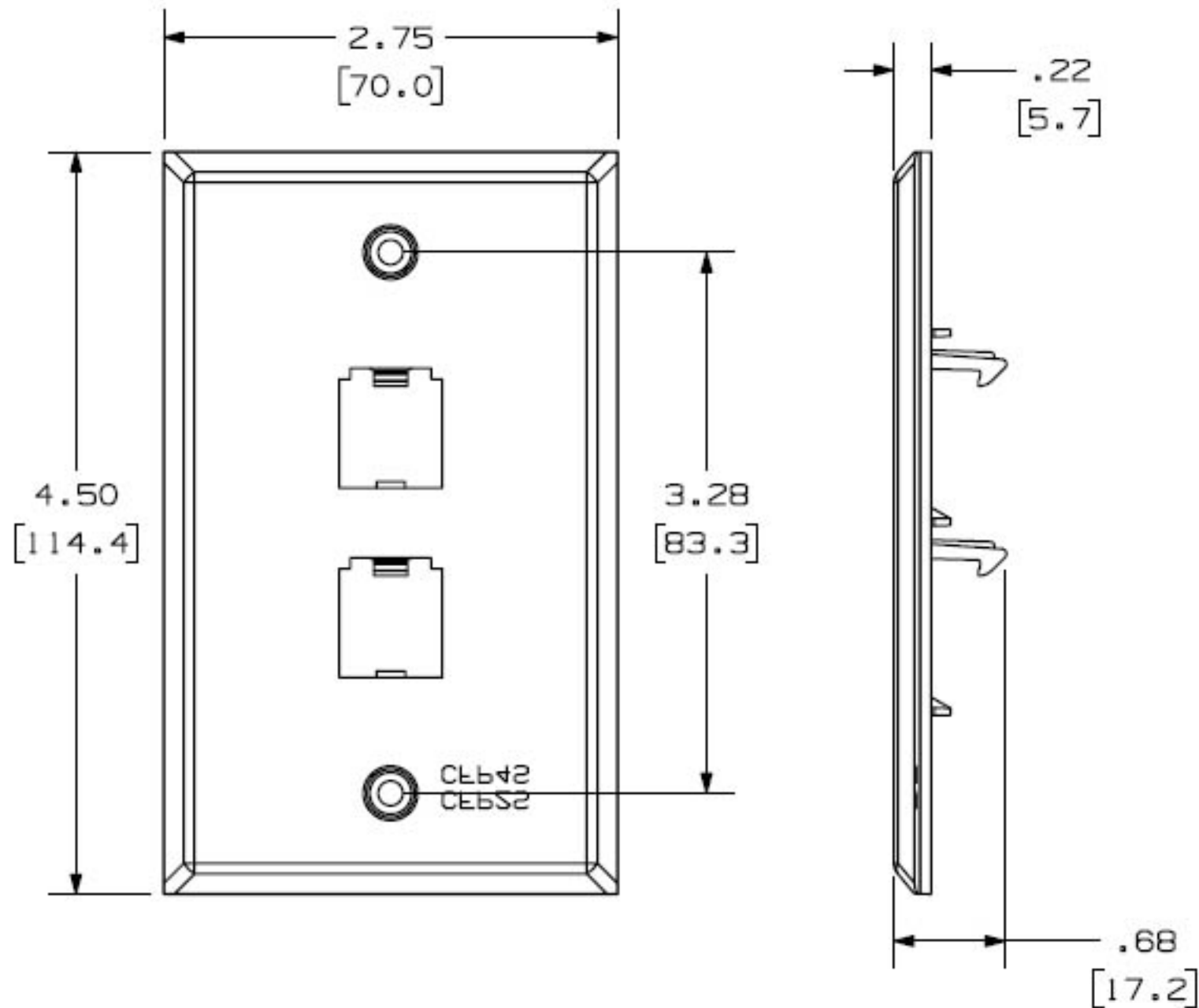
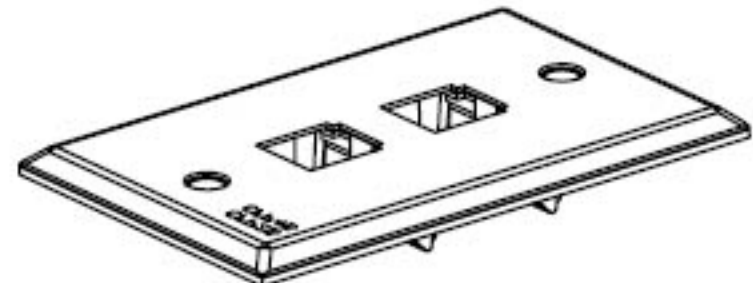


THIS COPY IS PROVIDED ON A RESTRICTED BASIS AND IS NOT TO BE USED IN ANY WAY DETRIMENTAL TO THE INTERESTS OF PANDUIT CORP.



PANDUIT P/N	WEIGHT
CFP2S	1.51 LB/10 PCS (686 g/10 PCS)

- NOTES:
- SEE CURRENT CATALOG FOR ADDITIONAL PART NUMBER SUFFIXES TO INDICATE COLOR AND OR PACKAGE QUANTITY.
 - SEE CATALOG FOR COMPLETE LIST OF PARTS APPLICABLE FOR USE WITH THIS PART.
 - DIMENSIONS IN PARENTHESES ARE IN METRIC.
 - MATERIAL:
FACEPLATE- STAINLESS STEEL
BACKING- ABS
 - CFP2S KIT CONTAINS:
(1)- FACEPLATE
(2)- #6-32 X 1" MOUNTING SCREWS



Sold by:

TWAcomm.com
<http://www.TWAcomm.com>
 Toll Free: (877) 892-2666

CAD FILENAME/LAYERS		M00535AF_DC_00A.PRT	
PANDUIT CORP. TINLEY PARK, ILLINOIS			
MINI-COM 2 POSITION STAINLESS STEEL FACEPLATE (CFP2S) CUSTOMER DRAWING			
UNLESS OTHERWISE SPECIFIED, DIMENSIONAL TOLERANCES ARE: (.X) ± (.XXX) ±.010(.3) (.XX) ±.03(.8) ANGLES ±		UNLESS OTHERWISE SPECIFIED, ALL DIMENSIONS ARE GIVEN IN INCHES, THIRD ANGLE PROJECTION.	
DRAWN BY JBA	MAT'L: SEE NOTES	SCALE NONE	
DATE 4-14-99	CHECKED BY	DRAWING NO. 00535-14	DWG A SIZE

REV	DATE	BY	CHK	DESCRIPTION	ECN	CHK	CUST	SUP
R	4-14-99	JBA		RELEASED TO PRODUCTION.	00535-14			