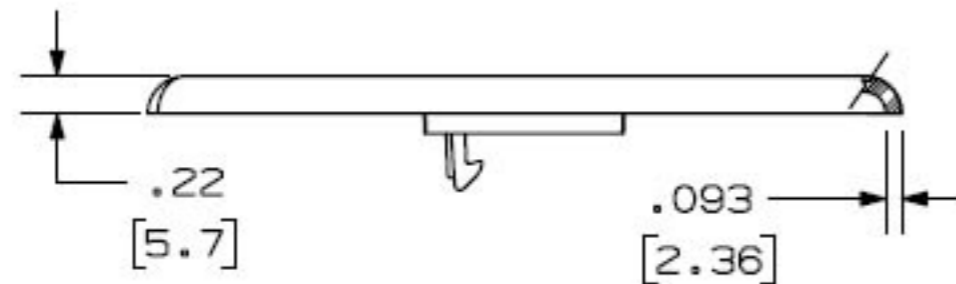
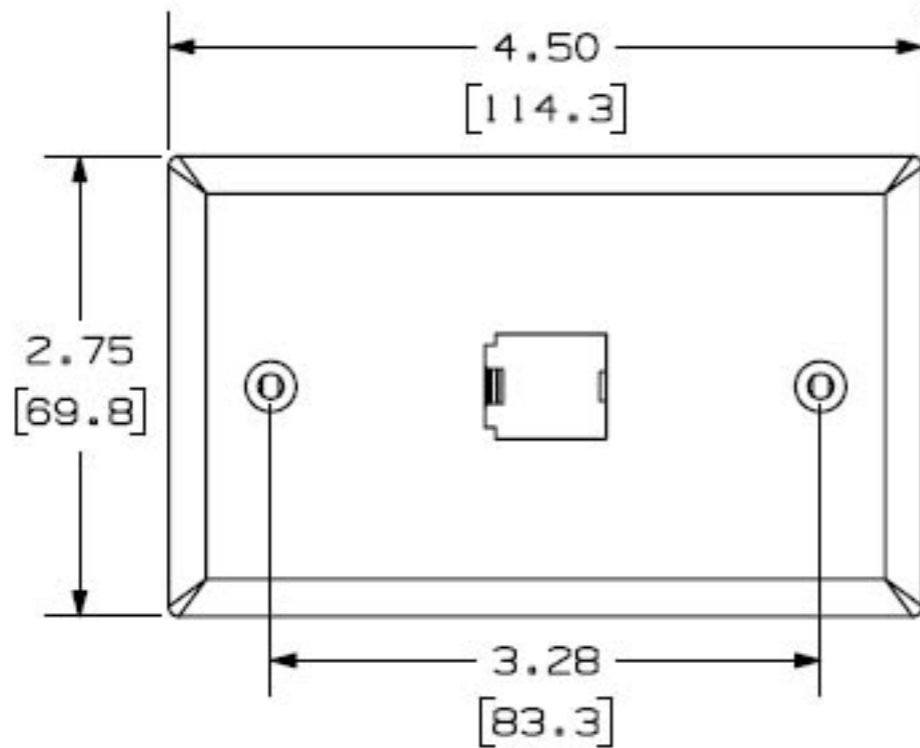
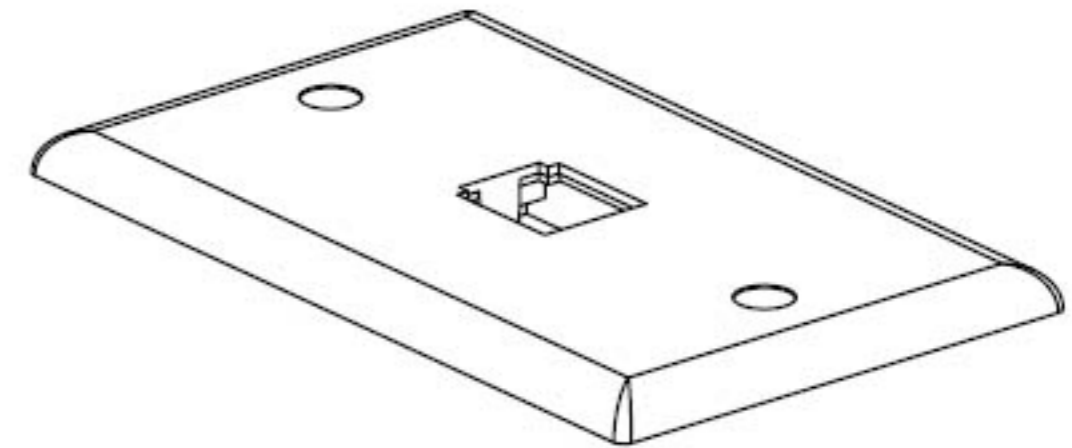


THIS COPY IS PROVIDED ON A RESTRICTED BASIS AND IS NOT TO BE USED IN ANY WAY DETRIMENTAL TO THE INTERESTS OF PANDUIT CORP.



PANDUIT PART NO.	WEIGHT
CFP1**	.47 LB/10 PCS (212 G/10 PCS)

- NOTES:
- ** 1. SEE CURRENT CATALOG FOR ADDITIONAL PART NUMBER SUFFIXES TO INDICATE COLOR AND OR PACKAGE QUANTITY.
 - 2. TWO #6-32 X 1" LONG, SLOTTED PAN HEAD SCREWS WITH NON-THREADED LEAD POINT PROVIDED FOR FASTENING FACEPLATES.
 - 3. DIMENSIONS IN PARENTHESES ARE IN METRIC.
 - 4. PRODUCT ACCEPTS ANY SINGLE POSITION MINI-COM MODULE.



Sold by:

TWAcomm.com
<http://www.TWAcomm.com>
 Toll Free: (877) 892-2666

CAD FILENAME/LAYERS		D35544CU_DC_CFP1_00C.PRT	
PANDUIT CORP. TINLEY PARK, ILLINOIS			
△ CLASSIC SERIES 1 POSITION VERTICAL FACEPLATE (CFP1**) △ CUSTOMER DRAWING			
UNLESS OTHERWISE SPECIFIED, DIMENSIONAL TOLERANCES ARE:		UNLESS OTHERWISE SPECIFIED, ALL DIMENSIONS ARE GIVEN IN INCHES, THIRD ANGLE PROJECTION.	
(.X) ± (.XXX) ±.010(.3)		SCALE NONE	
(.XX) ±.03(.8) ANGLES ±		DRAWING NO. 35544-44	
DRAWN BY JBA	MAT'L: ABS	DWS A SIZE	
DATE 6-17-97			
CHK'D CEF			

REV	DATE	BY	CHK	DESCRIPTION	ECN	R	CUST	SUP
2	4-8-00	JSP		B. REVISED TITLE, WAS: "DESIGNER SERIES".	35544-44			
1	8-12-97	RCA	CEF	A. REV'D TITLE WAS MINI-COM 1 POSITION STANDARD VERTICAL FACEPLATE.	35544-44	CEF		
R	6-17-97	JBA	CEF	RELEASED TO PRODUCTION.	35544-44	CEF		