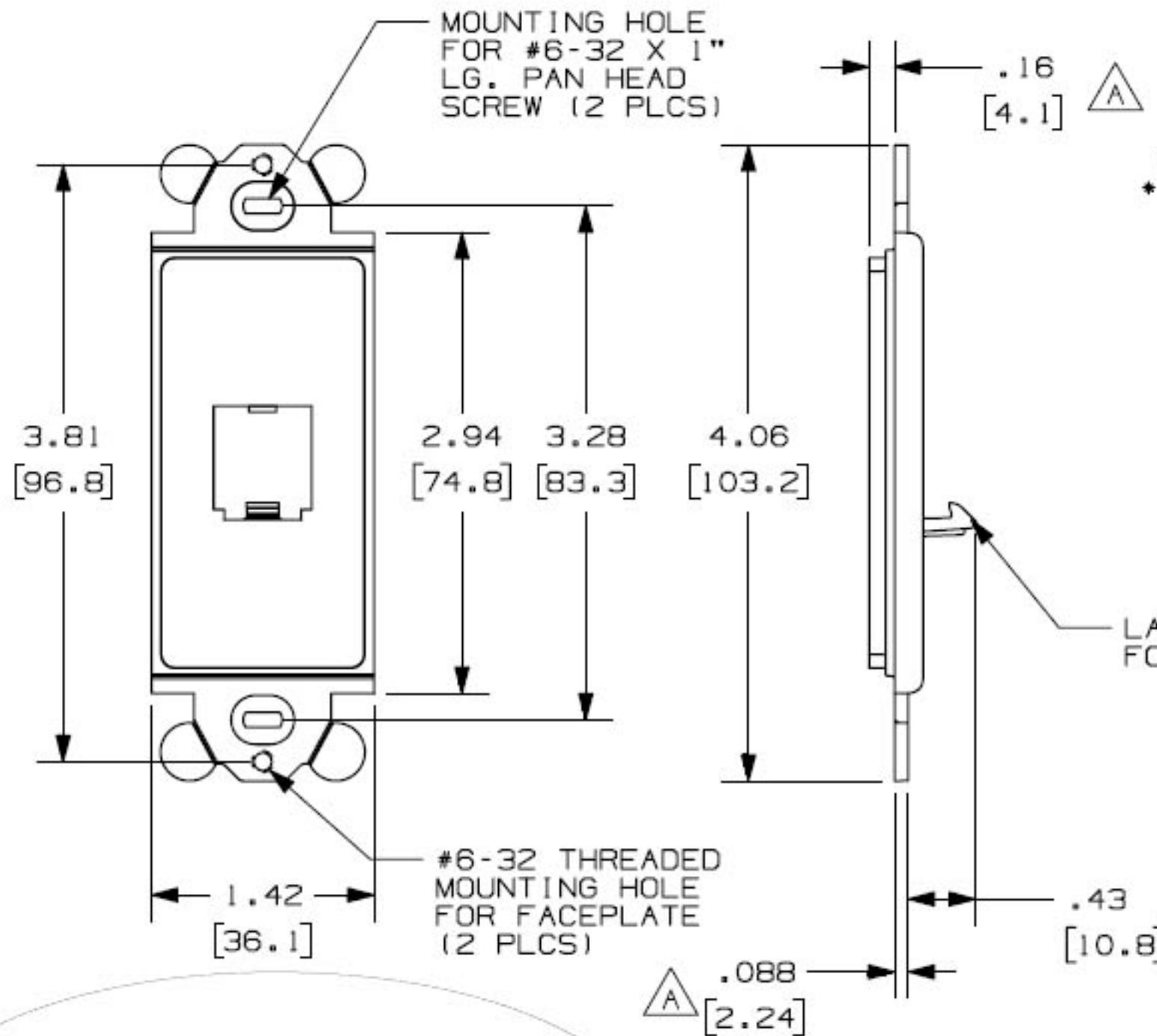


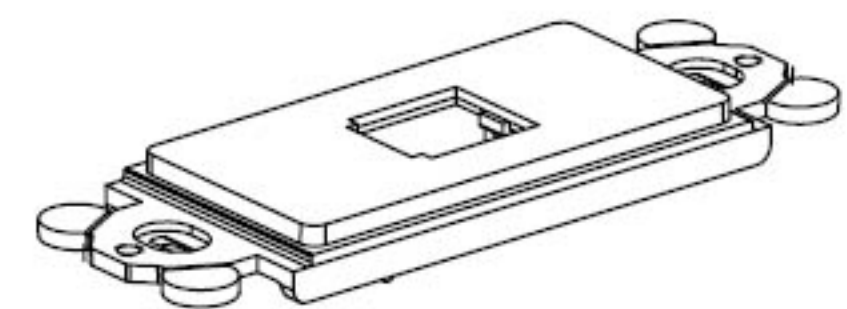
THIS COPY IS PROVIDED ON A RESTRICTED BASIS AND IS NOT TO BE USED IN ANY WAY DETRIMENTAL TO THE INTERESTS OF PANDUIT CORP.



PANDUIT P/N	WEIGHT
CFG1**	.23 LB/10 PCS (105.7 g/10 PCS) B

- NOTES:
- **1. SEE CURRENT CATALOG FOR ADDITIONAL PART NUMBER SUFFIXES TO INDICATE COLOR AND OR PACKAGE QUANTITY.
 - 2. SEE CATALOG FOR COMPLETE LIST OF PARTS APPLICABLE FOR USE WITH THIS PART.
 - 3. DIMENSIONS IN PARENTHESES ARE IN METRIC.
 - 4. (2) #6-32 X 1" PANHEAD SCREWS ARE SUPPLIED.

LATCHING HOOK FOR PANDUIT MODULES



Sold by:

TWAcomm.com
<http://www.TWAcomm.com>
 Toll Free: (877) 892-2666

CAD FILENAME/LAYERS		M00148BA_DC_00C.PRT	
PANDUIT CORP., TINLEY PARK, ILLINOIS			
"GFCI" MODULE FRAME ONE POSITION (CFG1**) CUSTOMER DRAWING			
UNLESS OTHERWISE SPECIFIED, DIMENSIONAL TOLERANCES ARE: (.X) ± (.XXX) ±.01(0.3) (.XX) ±.03(1.8) ANGLES ±		UNLESS OTHERWISE SPECIFIED, ALL DIMENSIONS ARE GIVEN IN INCHES, THIRD ANGLE PROJECTION.	
DRAWN BY RCA	MAT'L: ABS A	SCALE NONE	
DATE 8-26-97	CHECKED BY CEF	DRAWING NO. 00148-01	DWG SIZE A

REV	DATE	BY	CHK	DESCRIPTION	ECN	CHK	CUST	SUP
2	12-4-98	JSP		C. MATERIAL WAS ABS/PC. B. PART DID WEIGH 119.8 g/10 PCS.	00148-01			
1	9-16-97	RCA	CEF	A. ADDED DIM. .088 [2.24] & .16 [4.1].	00148-01	CEF		
R	8-26-97	RCA	CEF	RELEASED TO PRODUCTION.	00148-01	CEF		