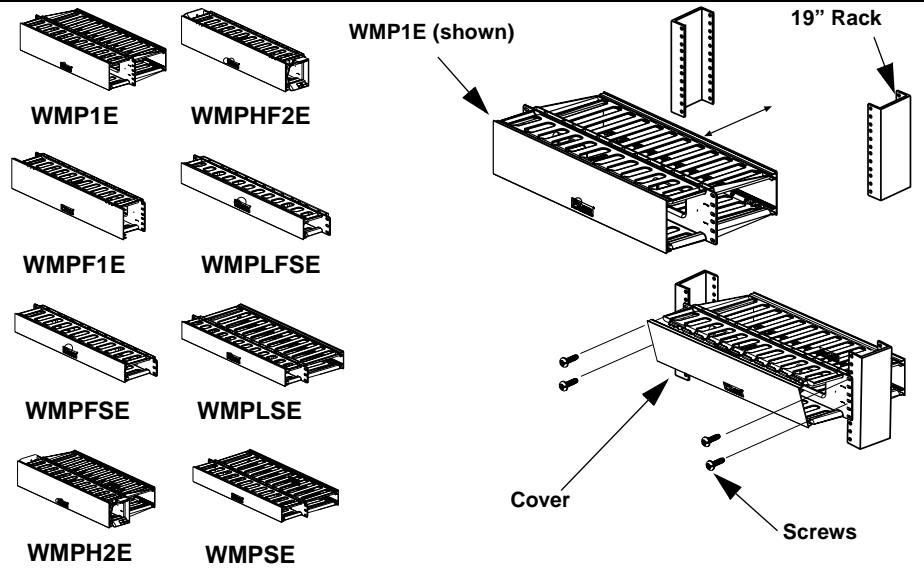


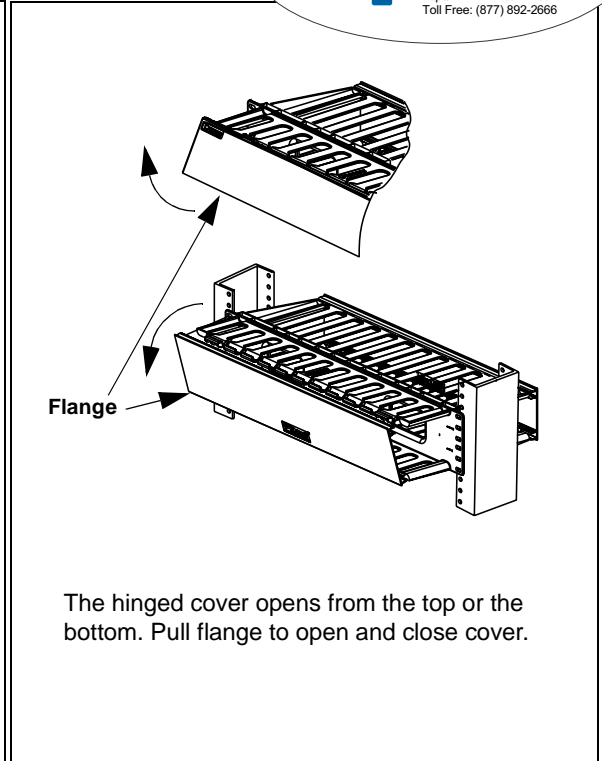
## INSTRUCTIONS CM282C

© Panduit Corp. 2003



Install the managers to the rack with the #12-24x.5 or M6 screws provided. Built-in screw retention in mounting holes secures screws in manager during installation. Install the covers to the manager by positioning cover flat against the front of the manager fingers, then push to snap in place.

**Note:** The recommended assembly torque shall be 9+/-1 in-lb for #12-24 screws, 1+/-0.1 N-m for M6 screws.



The hinged cover opens from the top or the bottom. Pull flange to open and close cover.

The PatchLink cable manager is recommended for use with Panduit 24 or 48 port patch panels mounted above and below the manager. When routing the cables for the patch panels, either of the following two methods are recommended to help maintain cable bend radius.

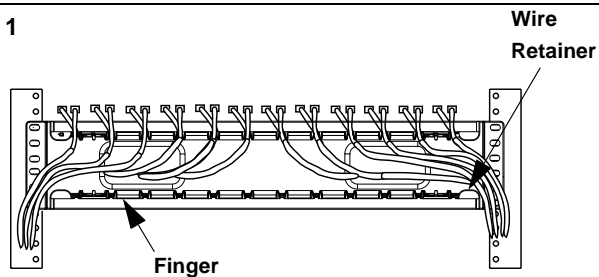
**METHOD 1:** For each row of 24 ports, place two cables in each slot on the manager.

Route half the cables through each of the wire retainers on the ends of the manager.

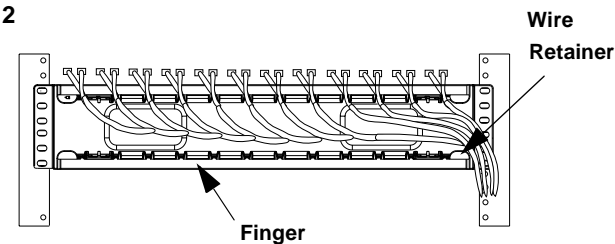
**METHOD 2:** If the cables are coming from one side of the rack, place 2 cables in each of the slots on the manager.

**NOTE:** When using front and back WMPH's to manage cables on the rear of the rack, place 2 cables in each of the 12 slots in the rear of the manager, for each row of 24 ports.

### METHOD 1



### METHOD 2



### Cable Capacity

Part Number		UTP Cable .187" dia.	SeTP Cable .250" dia.	Fiber 3mm dia.
WMP1E WMPF1E WMPH2E WMPHF2E	Method 1	96	72	312
	Method 2	72	48	192
WMPSE WMPFSE	Method 1	48	32	144
	Method 2	24	16	72
WMPLSE WMPLFSE	Method 1	32	24	96
	Method 2	16	12	48