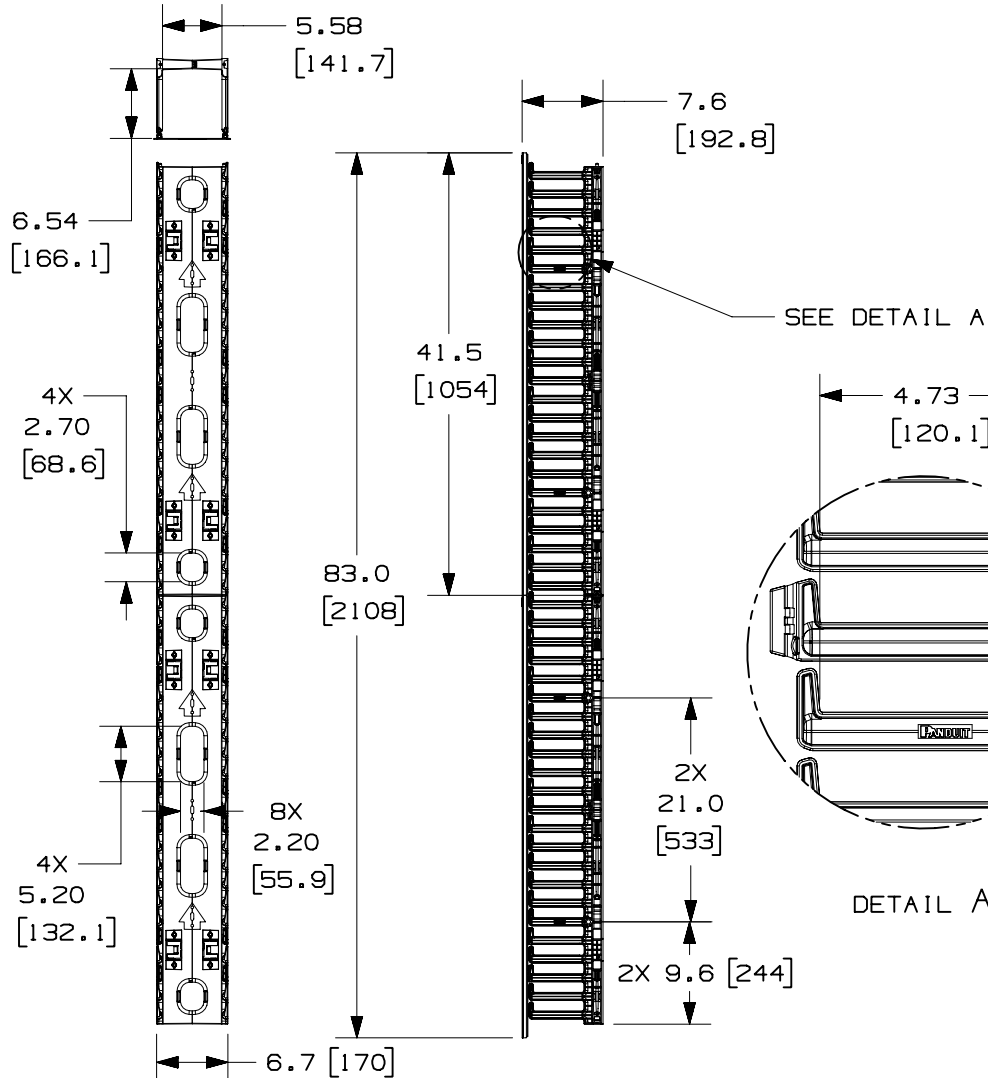


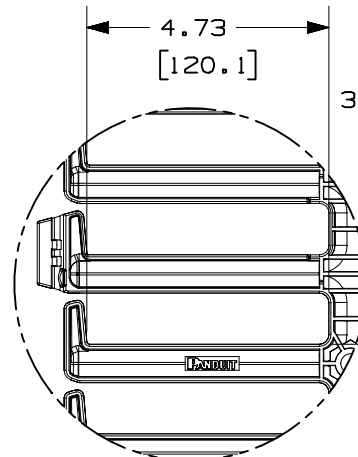
THIS COPY IS PROVIDED ON A RESTRICTED BASIS AND IS NOT TO BE USED IN ANY WAY DETRIMENTAL TO THE INTERESTS OF PANDUIT CORP.



PANDUIT P/N	WEIGHT
WMPVHCF45E	18.0 LBS/EACH 8.16 Kg/EACH

NOTES:

- VISIT OUR ON-LINE CATALOG AT WWW.PANDUIT.COM FOR A CURRENT LIST OF PRODUCTS APPLICABLE FOR USE WITH THIS PART.
- COMPONENTS:
 - 2- 22.5RU FRONT ONLY CABLE MANAGEMENT SECTIONS
 - 2- 41.5" LONG COVERS
 - 6- CABLE RETAINERS
 - 4- MOUNTING BRACKETS
 - 8- #12-24 X 1/2" SCREWS
- DIMENSIONS IN PARENTHESIS ARE METRIC.

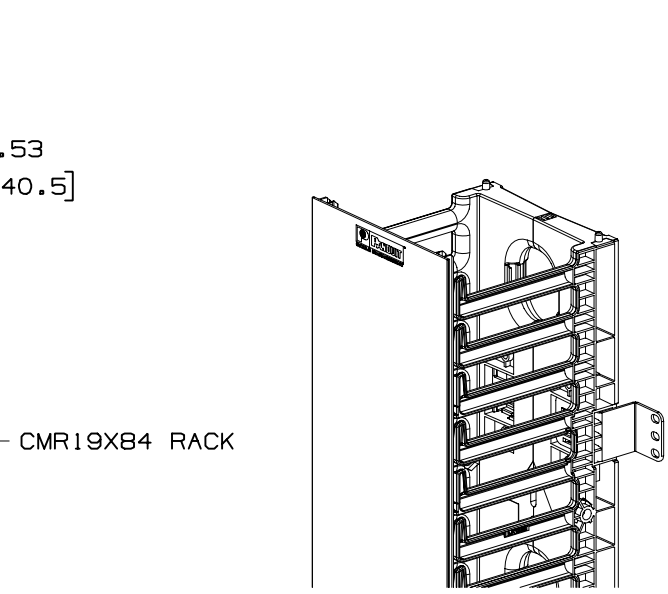
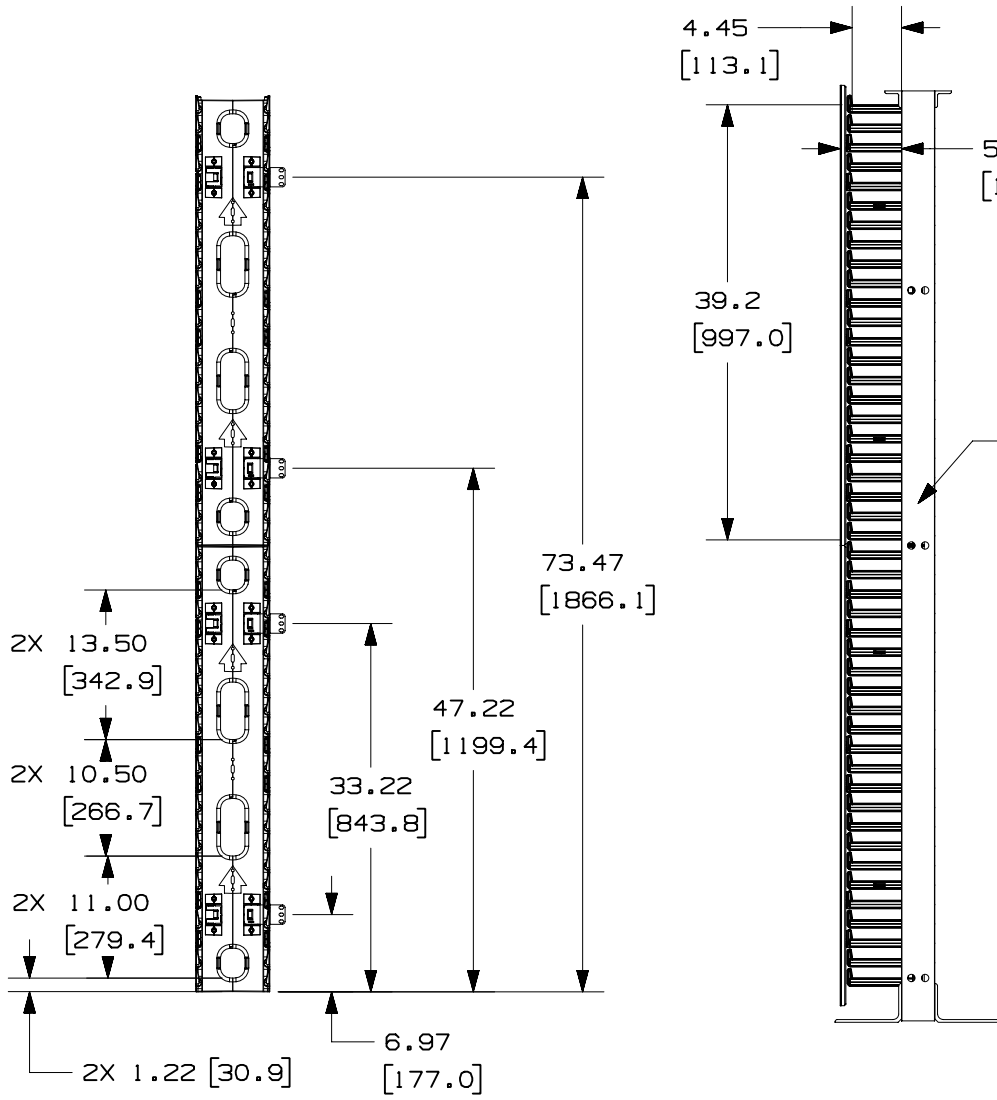


MODEL FILENAME	V10225AH_WMPVHCF45E_ASSY_03.PRT
CAD FILENAME/LAYERS	V10225AH_DC_03A.PRT
<h1>PANDUIT</h1> CORP. TINLEY PARK, ILLINOIS	
6" WIDE FRONT ONLY VERTICAL CABLE MANAGER WMPVHCF45E CUSTOMER DRAWING	

REV	DATE	BY	CHK	DESCRIPTION	ECN	R	CUST	SUP	OTH
00	3-15-05	JDWE		RELEASED TO PRODUCTION	10225-26				

UNLESS OTHERWISE SPECIFIED, DIMENSIONAL TOLERANCES ARE: (.X) ± .03 (.XXX) ± .005 (.XX) ± .015 ANGLES ± 1°		UNLESS OTHERWISE SPECIFIED, ALL DIMENSIONS ARE GIVEN IN INCHES, THIRD ANGLE PROJECTION.	
DRAWN BY JDWE	MAT'L:	SCALE NONE	
DATE 3-15-05	CABLE MANAGER- ABS COVER- PVC CABLE RETAINER- POLYCARBONATE	DRAWING NO. 10225-26 SHEET 1 OF 2	DWG A SIZE

THIS COPY IS PROVIDED ON A RESTRICTED BASIS AND IS NOT TO BE USED IN ANY WAY DETRIMENTAL TO THE INTERESTS OF PANDUIT CORP.



MODEL FILENAME	V10225AH_WMPVHCF45E_ASSY_03.PRT
CAD FILENAME/LAYERS	V10225AH_DC_03A.PRT
PANDUIT CORP. TINLEY PARK, ILLINOIS	
6" WIDE FRONT ONLY VERTICAL CABLE MANAGER WMPVHCF45E CUSTOMER DRAWING	

UNLESS OTHERWISE SPECIFIED, DIMENSIONAL TOLERANCES ARE: (.X) ± .03 (.XXX) ± .005 (.XX) ± .015 ANGLES ± 1°		UNLESS OTHERWISE SPECIFIED, ALL DIMENSIONS ARE GIVEN IN INCHES, THIRD ANGLE PROJECTION.	
DRAWN BY JDWE	MAT'L: CABLE MANAGER- ABS COVER- PVC CABLE RETAINER- POLYCARBONATE	SCALE NONE	
DATE 3-15-05	CHK'D	DRAWING NO. 10225-26 SHEET 2 OF 2	DRG A SIZE

00	3-15-05	JDWE	SEE SHEET 1 OF 2 FOR REVISIONS	10225-26					
REV	DATE	BY	CHK	DESCRIPTION	ECN	R	CUST	SUP	OTH