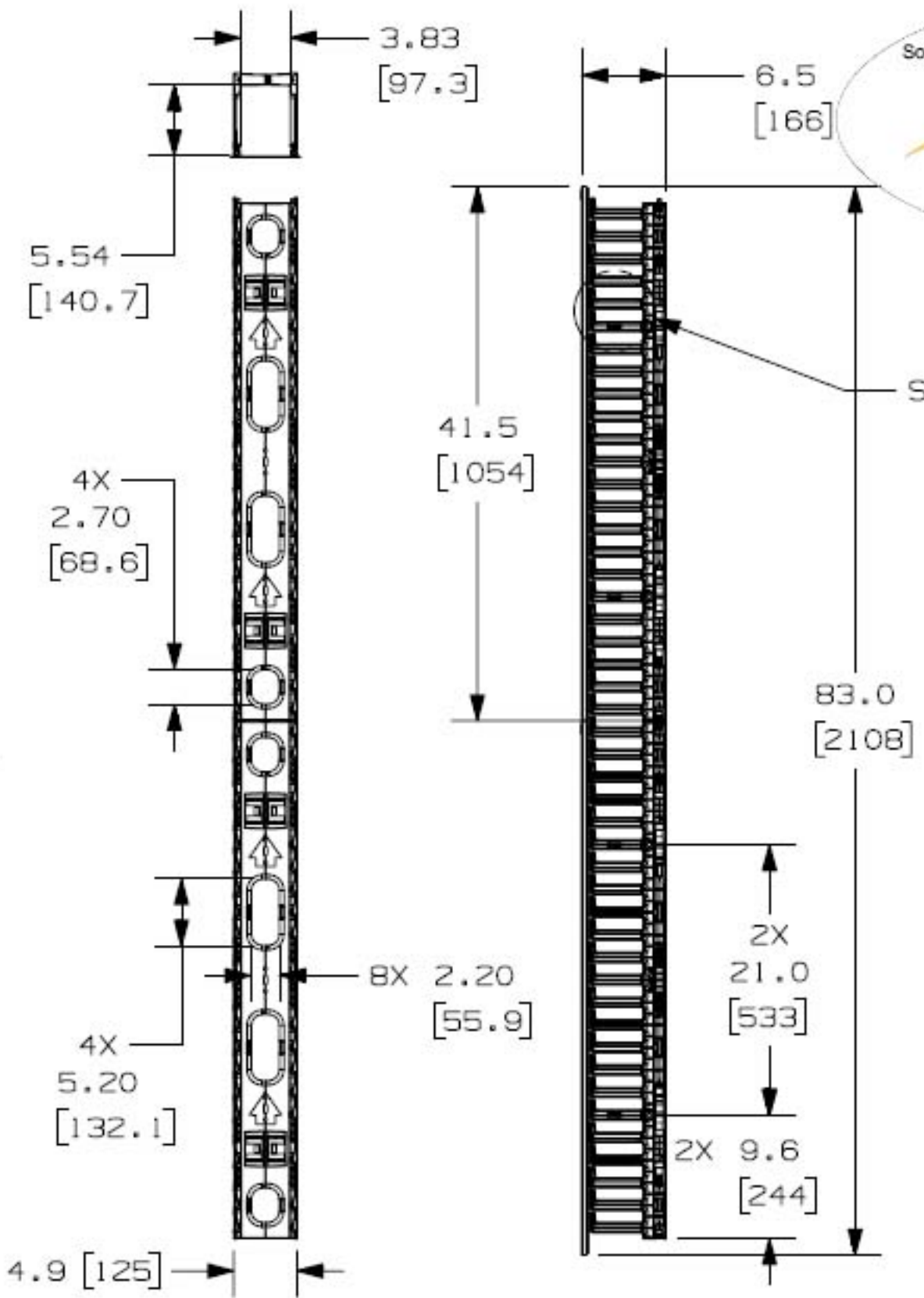


THIS COPY IS PROVIDED ON A RESTRICTED BASIS AND IS NOT TO BE USED IN ANY WAY DETRIMENTAL TO THE INTERESTS OF PANDUIT CORP.

Sold by:



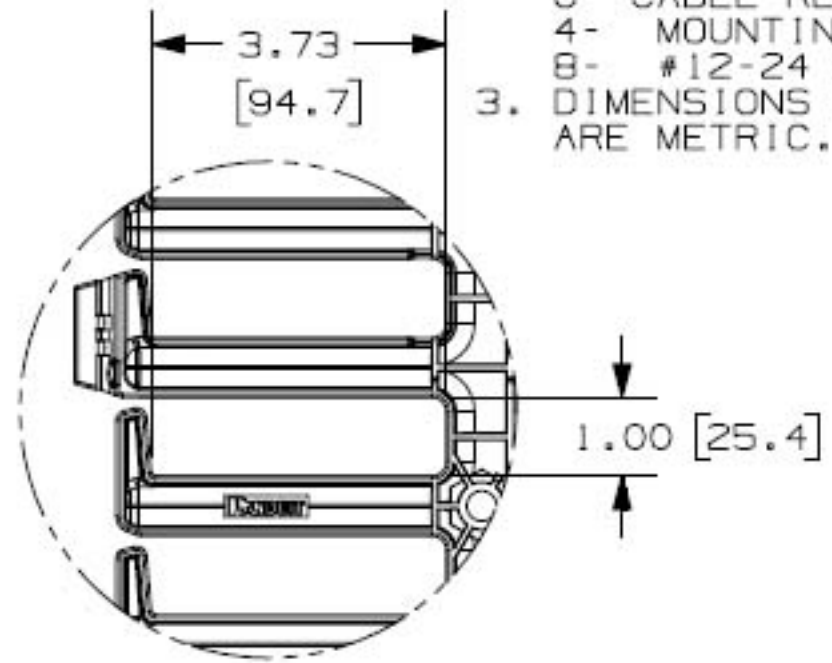
PANDUIT P/N	WEIGHT
WMPVF45E	14.0 LBS/EACH 6.35 Kg/EACH



NOTES:

- VISIT OUR ON-LINE CATALOG AT [WWW.PANDUIT.COM](http://WWW.PANDUIT.COM) FOR A CURRENT LIST OF PRODUCTS APPLICABLE FOR USE WITH THIS PART.
- COMPONENTS:  
 2- 22.5RU CABLE MANAGEMENT SECTIONS  
 2- 41.5" LONG COVERS  
 6- CABLE RETAINERS  
 4- MOUNTING BRACKETS  
 8- #12-24 X 1/2" SCREWS
- DIMENSIONS IN PARENTHESIS ARE METRIC.

SEE DETAIL A



DETAIL A

MODEL FILENAME	V10225AC_WMPVF45E_ASSY_02.PRT
CAD FILENAME/LAYERS	V10225AC_DC_02A.PRT
<b>PANDUIT</b> CORP., TINLEY PARK, ILLINOIS	
4" WIDE FRONT ONLY VERTICAL CABLE MANAGER WMPVF45E CUSTOMER DRAWING	

UNLESS OTHERWISE SPECIFIED,  
 DIMENSIONAL TOLERANCES ARE:  
 (.X) ± .03 (.XXX) ± .005  
 (.XX) ± .015 ANGLES ± 1°

UNLESS OTHERWISE SPECIFIED,  
 ALL DIMENSIONS ARE GIVEN  
 IN INCHES, THIRD ANGLE PROJECTION.

DRWN BY JDWE	MAT'L: CABLE MANAGER- ABS COVER- PVC CABLE RETAINER- POLYCARBONATE	SCALE NONE
DATE 3-15-05	DR'D	DRAWING NO. 10225-24 SHEET 1 OF 2
		DRG A SIZE

REV	DATE	BY	CHK	DESCRIPTION	ECN	R	CUST	SUP	OTH
00	3-15-05	JDWE		RELEASED TO PRODUCTION	10225-24				