

V-9955 AUXILLIARY RELAY UNIT

INTRODUCTION

These instructions provide identification, installation, connection, operation, and maintenance information for the V-9955 Valcom Auxiliary Relay Unit.

- Screw Terminals for all connections.
- Independent control or simultaneous operation of relays.
- Unit is expandable to 6 relays by adding V-9957 expansion board.

SPECIFICATIONS

Applications

- Strobe Activation.
- Door Control.
- Camera Control.

Features

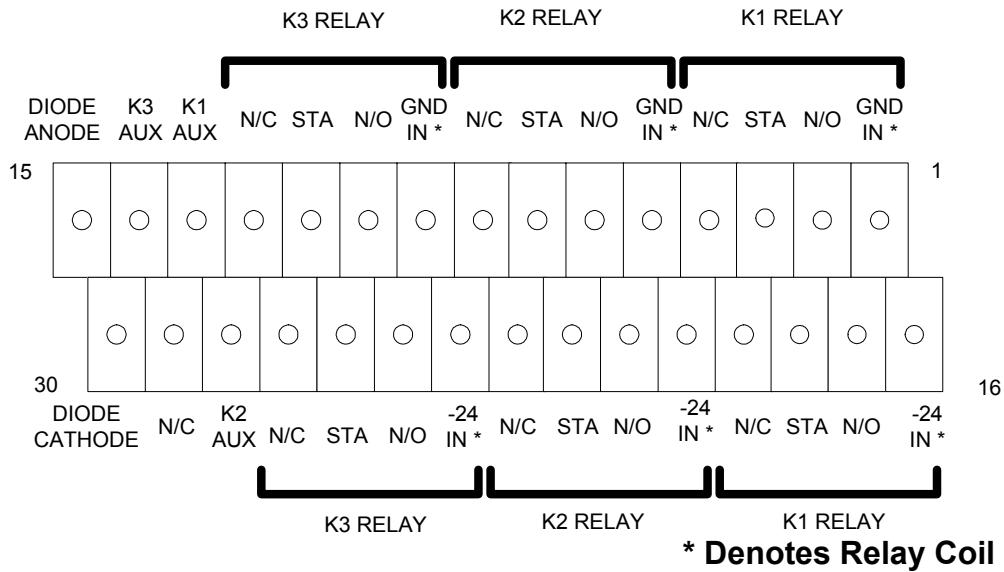
- Three 24 VDC 2 Pole Relays with 1 amp contacts.

Dimensions/Weight

- 7.10"H x 4.7"W x 2.10"D
(18.03 cm H x 11.94 cm W x 5.33 cm D)
0.70lbs. (32kg).

Power Requirements

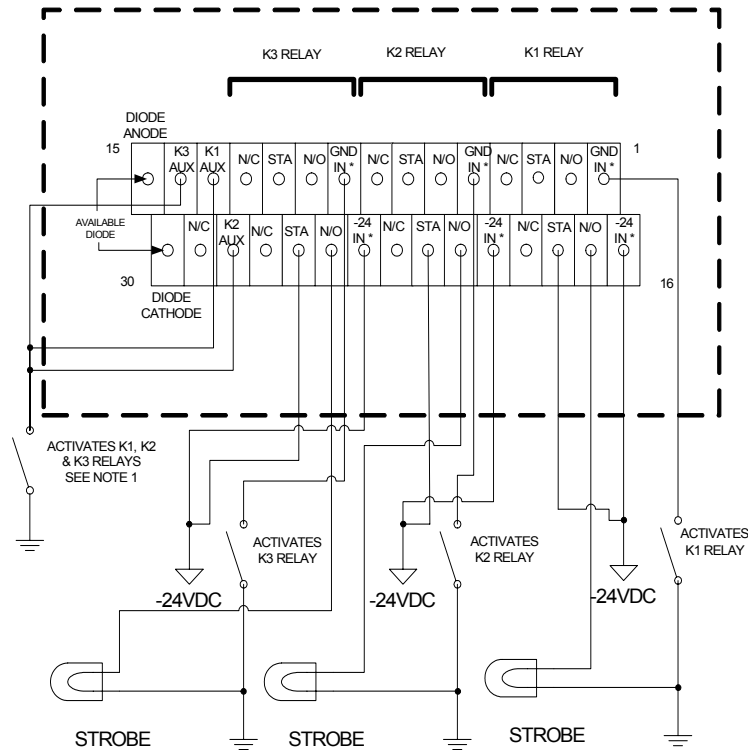
-21.5 to -26 VDC Battery, 20mA per relay coil.



Terminal Designations



Figure 1 Typical Connections for Strobe Light Control



NOTE 1: A GROUND PLACED ON AUX 1, AUX 2 OR AUX 3 WILL ACTIVATE K1, K2 OR K3 RESPECTIVELY INDEPENDENT OF A GROUND PLACED DIRECTLY ON THE RELAY COIL GROUND TERMINAL.

VALCOM LIMITED WARRANTY

Valcom, Inc. warrants its products to be free from defects in materials and workmanship under conditions of normal use and service for a period of one year from the date of shipment. The obligation under this warranty shall be limited to the replacement, repair or refund of any such defective device within the warranty period, provided that:

1. Inspection by Valcom, Inc. indicates the validity of the claim,
2. The defect is not the result of damage, misuse, or negligence after the original shipment,
3. The product has not been altered in any way or repaired by others and that factory sealed units are unopened (a service charge plus parts and labor will be applied to units defaced or physically damaged),
4. Freight charges for the return of products to Valcom are prepaid,
5. All units 'out of warranty' are subject to a service charge. The service charge will cover minor repairs (major repairs will be subject to additional charges for parts and labor).

This warranty is in lieu of and excludes all other warranties, expressed or implied, and in no event shall Valcom, Inc. be liable for any anticipated profits, consequential damages, loss of time or other losses incurred by the buyer in connection with the purchase, operation or use of the product.

This warranty specifically excludes damage incurred in shipment. In the event a product is received in damaged condition, the carrier should be notified immediately. Claims for such damage should be filed with the carrier involved in accordance with the F.O.B. point.

Headquarters
Valcom, Inc.
5614 Hollins Road
Roanoke, VA 24019-5056
Phone: (540) 563-2000
FAX: (540) 362-9800

In Canada:
CMX Corporation
35 Van Kirk Drive #11 and 12
Brampton, Ontario L7A 1A5
Phone: (905) 456-1072
FAX: (905) 456-2269

