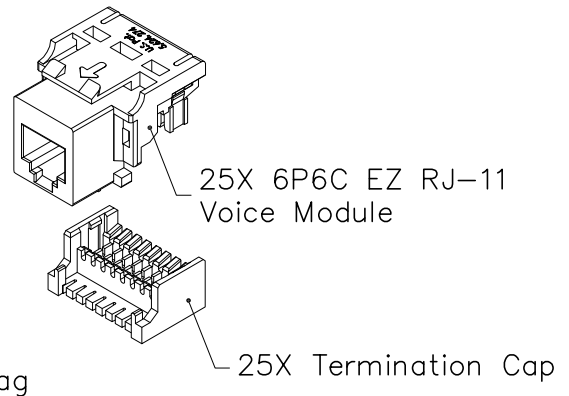
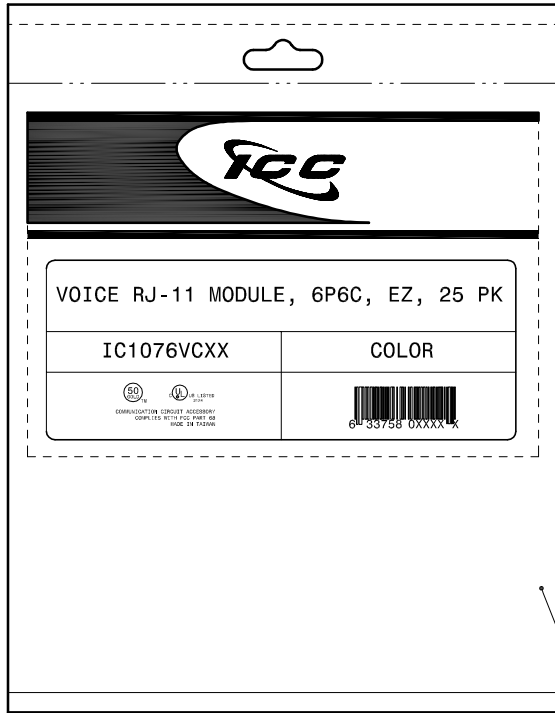


# 6P6C EZ RJ-11 Voice Module, 25 PK

## PRODUCT SPECIFICATION

### Package includes:

- A. 6P6C EZ RJ-11 Voice Module, 25 pcs
- B. Termination Cap, 25 pcs
- C. Installation Instructions, 1 sheet
- D. Packaging Bag, 1 pc



Packaging Bag

25X 6P6C EZ RJ-11 Voice Module

25X Termination Cap

### Features and Benefits:

- Designed for all voice connectivity applications
- Lead frame technology provides maximum performance and uninterrupted signal integrity
- Engineered to provide 110 IDC termination reducing installation time
- One piece termination cap allows for a quick and easy termination
- Includes an integrated USOC/UTP color wiring diagram
- Compatible with all IC107 faceplates, inserts, surface mount boxes, and blank patch panels
- Compatible with all IC108 furniture faceplates, bezels, and surface mount boxes
- Used with ICC ICLC2, ICLC4, ICLC6 line cords and 110 punch down tool ICACSPDT00
- Available in almond, black, gray, ivory, and white
- 25 modules packaged in packaging bag with 25 termination caps packaged in a separated bag and included in packaging bag
- Installation instructions #MSR-0235 included in packaging bag
- UL listed

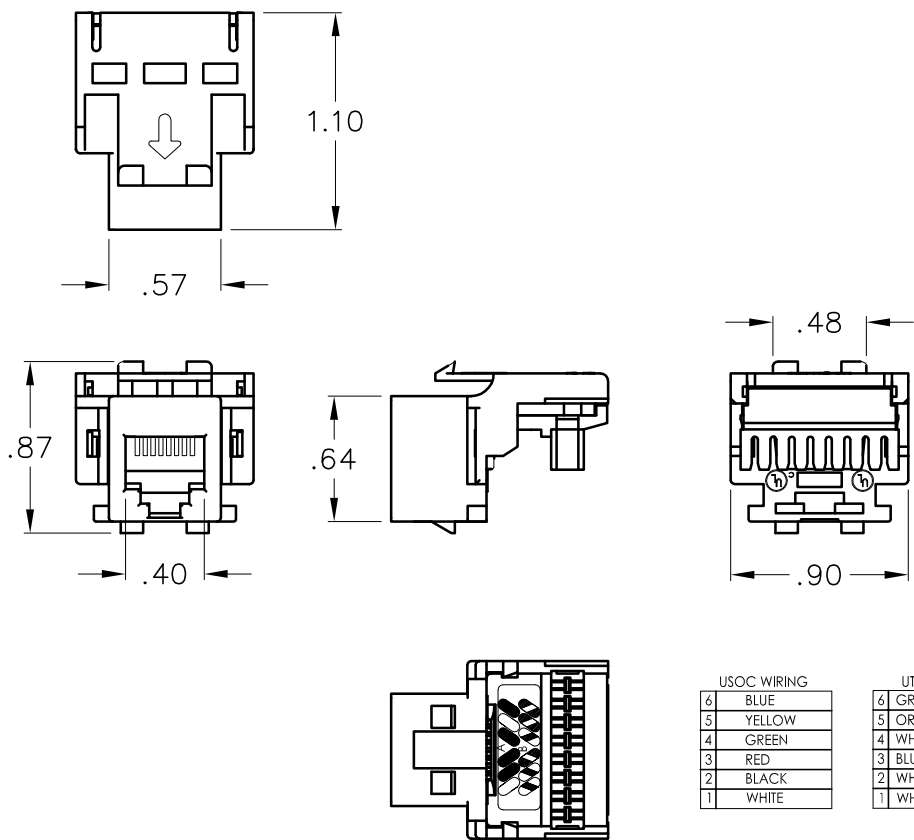
### MODULE, VOICE, RJ-11, EZ, 25 PK

ITEM NO.	IC1076VCXX
DWG NO.	PS1076VC00

REV.	D
PAGE NO.	1



CUSTOMER CARE / TECHNICAL SUPPORT \* CSR@ICC.COM / 888-ASK-4-ICC (275-4422) \*14700 Alondra Blvd., La Mirada, CA 90638\* www.icc.com



**NOTE: UNLESS OTHERWISE SPECIFIED**

1. RJ-11 VOICE MODULE:

A. ELECTRICAL:

- CURRENT RATING: 1.5 AMPS MAX
- VOLTAGE RATING: 150 VOLTS ALTERNATING
- DIELECTRIC WITHSTANDING VOLTAGE: 1000 VOLTS RMS, 60 HZ
- INSULATION RESISTANCE: > 10 MOHMS

B. MECHANICAL:

- MATED FORCE: 5 LBS MAX
- UNMATED FORCE: 5 LBS MAX
- PLUG RETENTION FORCE: 20 LBS MIN
- DURABILITY: 750 CYCLES

C. PHYSICALS:

- HOUSING: ABS, UL 94V-0
- CONTACT: PHOSPHOR BRONZE GOLD PLATING OVER 100 INCHES OF NICKEL
- GOLD PLATING: 1.27 MICRON/50 MICRO INCH MIN
- CONNECTOR: INSULATION DISPLACEMENT CONNECTOR (IDC)  
ACCEPTS 22~24 AWG SOLID WIRE

D. COLORS: XX: AL-ALMOND, BK-BLACK, GY-GRAY, IV-IVORY, & WH-WHITE

2. TERMINATION CAP:

- A. MATERIAL: PC, UL 94V-0
- B. COLOR: LIGHT GRAY

NEXT: (NEAR END CROSS TALK)	1 MHz > 65 dB
	10 MHz > 50 dB
	16 MHz > 46 dB
	20 MHz > 44 dB
INSERTION LOSS:	
	10 MHz > 0.008 dB
	16 MHz > 0.02 dB

UL US FILE NO. 125268

<b>MODULE, VOICE, RJ-11, EZ, 25 PK</b>			
ITEM NO.	IC1076VCXX		
DWG NO.	PS1076VC00	PAGE NO.	2

CUSTOMER CARE / TECHNICAL SUPPORT \* CSR@ICC.COM / 888-ASK-4-ICC (275-4422) \*14700 Alondra Blvd., La Mirada, CA 90638\* www.icc.com