

T-SERIES STEELFRAME CABINET

KEY FEATURES

- Support high heat density applications with thermal enhancements like the Vertical Exhaust Duct, Airflow Director, Rear Door Seal Kit, and Bottom Panel Kit
- Various door and top panel styles support front-to-rear or front-to-top airflow
- Available in two widths, two heights and five depths (20 sizes) to fit various requirements
- Two pairs of square-punched or threaded, adjustable-depth, 19" wide EIA-310-D compliant equipment mounting rails provide front and rear support for rack-mount equipment
- Welded steel frame supports 2,000 lb (907.2 kg) of equipment
- Includes a Vertical Cable Manager to manage cables
- Lockable, removable doors and side panels secure access to equipment
- Cabinet ships assembled for easy installation; Vertical Exhaust Duct ships collapsed with the cabinet

APPLICATIONS

- The T-Series SteelFrame Cabinet provides an economical equipment storage solution for computer, data storage, network and security equipment in the data center, computer room and network facilities.

USE WITH

- Air Dam Kit
- Snap-In Filler Panels
- Bottom Panel Kit
- Airflow Director
- Vertical Cable Manager
- External Cable Manager
- Vertical Power Strips For Cabinets
- Caster Kit
- Fan Kit
- Standard Fan Doors
- Intelligent Fan Doors

RELATED ACCESSORIES

- LCD/KVM Console
- Lockable Storage Drawer
- Rack-Mount Cable Shelf
- KoldLok® Raised Floor Grommet



Now Available with CPI Passive Cooling® Solutions

Isolate hot air with the Vertical Exhaust Duct and control the flow of air through the cabinet in high-density applications



New Options Available

Various new door styles with upgraded swing handle latch

Enhanced with more features and options for any application.



The T-Series SteelFrame Cabinet is CPI's standard server cabinet offering a high quality and fully featured solution for storing computer, data storage, networking and security equipment in data centers, equipment rooms and network facilities.

CPI's T-Series SteelFrame Cabinet is available in three styles: T-Series SteelFrame Frame Only, T-Series SteelFrame Cabinet and T-Series SteelFrame with Vertical Exhaust Duct. The T-Series SteelFrame Frame Only offers sturdy, open support for equipment up to 44" deep (1120 mm). The T-Series SteelFrame Cabinet provides additional physical security and airflow management by including a top panel with a choice of side panels and doors. The T-Series SteelFrame Cabinet with Vertical Exhaust Duct is for high heat density applications. The duct isolates hot exhaust air from the room as it exits the top of the cabinet to improve cooling system performance.

The T-Series SteelFrame features a stylish perforated (mesh) metal front door with 63% open area and a swing handle latch with a keyed lock for added security. Solid metal, plexiglass and fan door options are also available. All T-Series SteelFrame doors can be easily removed, reversed to open from the right or left and can be exchanged between the front and rear of the cabinet. The cabinet is designed with an open base and a top panel that offers edge-protected cable access ports. To block airflow through the base of the cabinet, a Bottom Panel Kit is available as an accessory.

Cabinets are available in a narrow (T1) or wide (T2) footprint. The narrow (T1) footprint maximizes floor space and fits over 24" wide (610 mm) raised access floor tiles, while the wide (T2) footprint provides approximately 3" (75 mm) of internal cable management space along both sides of equipment. All T-Series SteelFrame Cabinets include a vertical cable manager and two pairs of threaded or square-punched 19" wide, EIA-310-D compliant, adjustable-depth equipment mounting rails that provide front and rear support for equipment and shelves. Additional thermal, cable and power management accessories are also available.

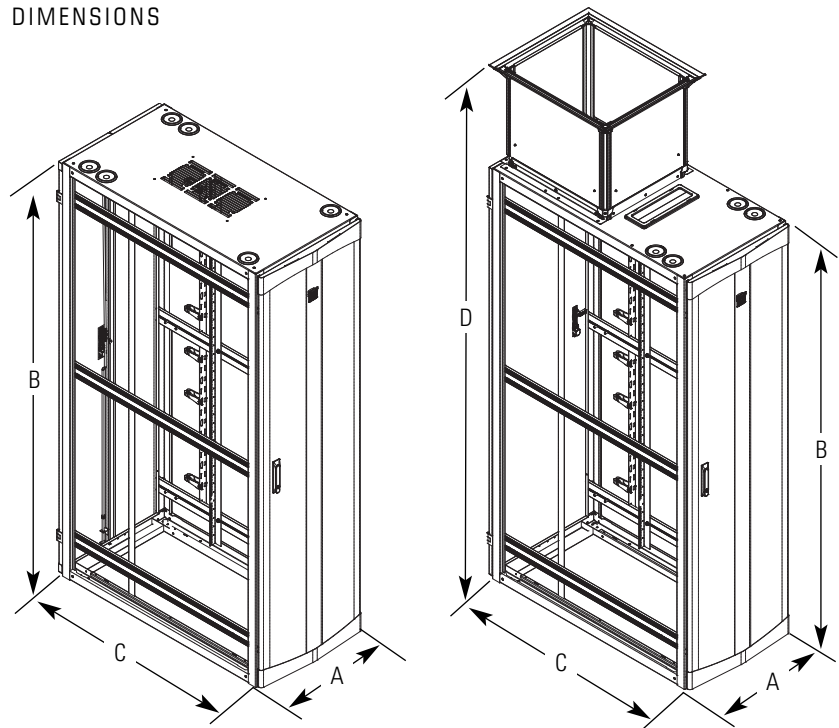
See inside for product details. Contact CPI Technical Support for configuration assistance.



SPECIFICATIONS

- Freestanding equipment cabinet provides front and rear support for 19"W EIA rack-mount equipment and shelves
- For indoor use only, in environmentally controlled areas; may not be used outdoors, in harsh environments or in air-handling spaces
- Frame Only T-Series SteelFrame Cabinet includes:
 - Welded steel four-post frame with no top panel
 - Equipment mounting rails, two pairs
 - (1) vertical cable manager
 - Leveling feet and baying kit
 - Equipment mounting hardware
- Standard T-Series SteelFrame Cabinet includes:
 - Welded frame (see on right) with a standard top panel
 - Front and rear doors (as selected)
 - Side panels (as selected)
- High-Density T-Series SteelFrame Cabinet with Vertical Exhaust Duct includes:
 - Welded frame (see on right) with a Vertical Exhaust Duct top panel
 - Perforated front door
 - Solid rear door with seal
 - Side panels (as selected)
 - Vertical Exhaust Duct
 - Air Dam Kit
- Frame Sizes:
 - Two widths: T1 24" (610 mm) and T2 27.3" (693 mm)
 - Two heights: 42 RMU and 45 RMU
 - Five depths: Frame only and standard cabinet
 - Two depths: High-density cabinet
 - See dimensions at right
- Equipment Support:
 - Includes front and rear mounting rails (2 pairs)
 - Threaded #12-24 or square-punched rails
 - 19"W, EIA-310-D Universal hole spacing
 - RMU marked and numbered (from bottom)
 - Adjustable depth: 3" (76 mm) min. separation up to full usable depth (see Depth Dimensions Table)
 - Threaded rails include 50 each #12-24 screws
 - Square-punched rails include 25 each #12-24 and 16 each M6 cage nuts and screws
- Standard Top Panel:
 - Center vent for an accessory fan kit
 - T1 cabinet has six round 2.7" (69 mm) diameter, grommet-protected cable access ports
 - T2 cabinet has six rectangular 3" x 5.3" (76 mm x 135 mm), edge-protected cable access ports
- Vertical Exhaust Duct Top Panel:
 - Four round 2.7" (69 mm) diameter, grommet-protected cable access ports
 - One rectangular 3" x 11.5" (76 mm x 292 mm), brush-sealed cable access port
 - Includes a Vertical Exhaust Duct that attaches on the rear of the top panel
 - Vertical Exhaust Duct is available in two height ranges: 20"-34" (508 mm – 863 mm) and 34"-60" (863 mm – 1523 mm)
- Doors:
 - Solid metal, plexiglass and perforated (mesh) styles
 - Includes a swing handle latch with keyed lock
 - Perforated doors have a 63% open area
 - Reversible to open from the right or left
 - Interchangeable front-to-rear
- Side Panels:
 - Solid side panel with keyed lock (matches door)
- Load Capacity:
 - 2000 lb (907.2 kg)
- Material:
 - Steel, aluminum extrusion rail slides
- Construction:
 - Welded frame, bolted rails/slides
- Finish:
 - Epoxy-polyester hybrid powder coat in Black, Computer White or Gray

DIMENSIONS



T-Series SteelFrame Cabinet
(Standard T1 top panel shown)

High-Density T-Series SteelFrame Cabinet
with Vertical Exhaust Duct
(T1 top panel shown)

Width Dimensions (A)		
Cabinet Style	T1	T2
Usable Equipment Panel Width	19" EIA	19" EIA
Overall Width	24.0" (610 mm)	27.3" (693 mm)
Frame Horizontal Opening	19.9" (505 mm)	19.9" (505 mm)

Height Dimensions (B)		
Nominal Height	78" (1980 mm)	84" (2130 mm)
Rack Mounting Units	42 RMU	45 RMU
Overall Height without Leveling Feet	78.0" (1981 mm)	84.0" (2134 mm)
Overall Height with Leveling Feet	78.9" (2004 mm)	84.9" (2156 mm)
Overall Height with Casters	82.3" (2090 mm)	88.3" (2243 mm)
Frame Vertical Opening	74.0" (1880 mm)	80.0" (2032 mm)

Depth Dimensions (C)					
Nominal Depth	22.6" (574 mm)	30" (760 mm)	36" (910 mm)	39" (990 mm)	44" (1120 mm)
Usable Depth	22.6" (574 mm)	30.0" (760 mm)	36.0" (910 mm)	39.0" (990 mm)	44.0" (1120 mm)
Overall Depth (Frame Only)	24.0" (610 mm)	31.4" (798 mm)	37.4" (950 mm)	40.4" (1026 mm)	45.4" (1153 mm)
Overall Depth (Door-to-Door)	27.0" (690 mm)	34.4" (874 mm)	40.4" (1026 mm)	43.4" (1102 mm)	48.4" (1229 mm)

Note: Overall Depth (Door to Door) is 1" (25 mm) less when using the Solid Plexi or Vented Plexi Front Door.

Ceiling Height (D)				
Cabinet Height	with Short Vertical Exhaust Duct		with Tall Vertical Exhaust Duct	
	Min.	Max.	Min.	Max.
7" (2.1m)	8'-8" (2.6 m)	9'-10" (3.0 m)	9'-10" (3.0 m)	12'-0" (3.6 m)
84" (2130 mm)	104" (2640 mm)	118" (3000 mm)	118" (3000 mm)	144" (3660 mm)
6'-6" (1.9 m)	8'-2" (2.4 m)	9-4" (2.8 m)	9'-4" (2.8 m)	11'-6" (3.5 m)
78" (1980 mm)	98" (2490 mm)	112" (2840 mm)	112" (2840 mm)	138" (3510 mm)

Note: Dimensions are nominal. Add 1" (25 mm) for leveling feet.

ORDERING INFORMATION

T-Series SteelFrame Cabinet

Example Part Number: T1033-712



T	Width	Height	Depth	Style	Color	Doors	Shipping
	1=19" 2=19"	0=84" (2130 mm) 1=78" (1980 mm)	6=22.6" (574 mm) 3=30.0" (760 mm) 5=36.0" (910 mm) 4=39.0" (990 mm) 7=44.0" (1120 mm)	0, 1, 3, 4, 6, 7	1= Gray 2=White 7=Black	1, 3, 4, 5	2=Assembled

Width
T1 cabinet outside width is 24" (610 mm);
T2 cabinet outside width is 27.3" (693 mm)

Cabinet Style
0=Tapped rails, top & two side panels
1=Tapped rails, top & no side panels
3=Multi-mount rails, top & two side panels
4=Multi-mount rails, top, no side panels
6=Tapped rails, top & one side panel
7=Multi-mount rails, top & one side panel

Doors
1=Solid plexiglass front/solid metal rear
3=Vented plexiglass front/perforated metal rear
4=Curved perforated metal front/perforated metal rear
5=Curved perforated metal front/double-perforated metal rear

T-Series SteelFrame Cabinet with Vertical Exhaust Duct

Example Part Number: T107B-762



T	Width	Height	Depth	Style	Color	Doors	Shipping
	1=19" 2=19"	0=84" (2130 mm) 1=78" (1980 mm)	4=39.0" (990 mm) 7=44.0" (1120 mm)	A, B, C, D, E, F	1= Gray 2=White 7=Black	6	2=Assembled

Width
T1 cabinet outside width is 24" (610 mm);
T2 cabinet outside width is 27.3" (693 mm)

Cabinet Style
A=Multi-mount rails, Vertical Exhaust Duct System (short), with two side panels
B=Multi-mount rails, Vertical Exhaust Duct System (short), with one side panel
C=Multi-mount rails, Vertical Exhaust Duct System (short), no side panels
D=Multi-mount rails, Vertical Exhaust Duct System (tall), with two side panels
E=Multi-mount rails, Vertical Exhaust Duct System (tall), with one side panel
F=Multi-mount rails, Vertical Exhaust Duct System (tall), no side panels

Doors
6=Curved perforated metal front/solid metal rear with seal

Notes: Short Vertical Exhaust Duct extends 20"-34"H (508 mm - 863 mm), Tall Vertical Exhaust Duct extends 34"-60"H (863 mm - 1523 mm). Vertical Exhaust Duct System includes a Vertical Exhaust Duct, Air Dam Kit and Seal for the rear door.

T-Series SteelFrame Frame Only

Example Part Number: T1033-702



T	Width	Height	Depth	Style	Color	Doors	Shipping
	1=19" 2=19"	0=84" (2130 mm) 1=78" (1980 mm)	6=22.6" (574 mm) 3=30.0" (760 mm) 5=36.0" (910 mm) 4=39.0" (990 mm) 7=44.0" (1120 mm)	2, 5	1= Gray 2=White 7=Black	0=No doors	2=Assembled

Cabinet Style
2=Tapped Rails
5=Multi-mount rails

See dimension tables on page 2 for metric equivalents.

ACCESSORIES

Bottom Panel Kit

The Bottom Panel Kit covers the bottom of the T-Series SteelFrame Cabinet to block airflow into and out of the base of the cabinet. Use with an Air Dam Kit and Snap-In Filler Panels to enhance front-to-rear or front-to-top airflow through cabinets when cabinets are supported on leveling feet or casters.

- Seals the base of 39" (990 mm) and 44"D (1120 mm) T-Series SteelFrame Cabinets manufactured after May 2009
- Includes one brush-sealed, 3" x 11.5" (76 mm x 292 mm) cable access port located at the rear center of the panel
- A CPI Passive Cooling Solution

Part Number	Description	Shipping Weight
14274-X01	For T1 x 44"D (1120 mm)	17 lb (7.7 kg)
14274-X02	For T2 x 44"D (1120 mm)	19 lb (8.6 kg)
14274-X03	For T1 x 39"D (990 mm)	15 lb (6.8 kg)
14274-X04	For T2 x 39"D (990 mm)	17 lb (7.7 kg)

X=color: 1=Gray, 2=Computer White, 7=Black

Airflow Director

Directs hot exhaust air from the bottom part of the cabinet to the top of the cabinet. Use with the high-density T-Series SteelFrame Cabinet with Vertical Exhaust Duct, an Air Dam Kit and Snap-In Filler Panels to create one-way, front-to-top airflow through the cabinet.

- 9.9"H x 8.0"D (252 mm x 203 mm)
- Attaches to the cabinet frame; match to cabinet width: T1 or T2
- A CPI Passive Cooling Solution

Part Number	Description	Shipping Weight
14272-X01	Airflow Director Kit for T1	5 lb (2.3 kg)
14272-X02	Airflow Director Kit for T2	5 lb (2.3 kg)

X=color: 1=Gray, 2=Computer White, 7=Black

Air Dam Kit

Blocks airflow between equipment mounting rails and the top, bottom and sides of the cabinet's frame, routes chilled air through the equipment and prevents hot exhaust air from re-circulating inside the cabinet space. Use with Snap-In Filler Panels and the Bottom Panel Kit to create one-way airflow through the cabinet.

- 5"D (130 mm) baffles
- Attaches to the cabinet frame; match to cabinet height
- A CPI Passive Cooling Solution

Part Number	Description	Shipping Weight
13338-X10	For 45 RMU, 84"H (2130 mm)	11 lb (5.0 kg)
13338-X11	For 42 RMU, 78"H (1980 mm)	10 lb (4.5 kg)

X=color: 1=Gray, 2=Computer White, 7=Black

Narrow Vertical Cable Manager

Vertical cable manager for T1-style T-Series SteelFrame Cabinets. Attaches to the cabinet frame in the space between the equipment mounting rails and the side panel.

- Slides front-to-rear, independent of the equipment mounting rails
- Includes eight .9"W x 3.3"D (20 mm x 84 mm), plastic, C-shaped cable rings
- Cable rings snap onto the mounting bracket and can be oriented with the side or the front/rear of the cabinet

Part Number	Description	Shipping Weight
11809-X00	For 45 RMU, 84"H (2130 mm), T1	5 lb (2.3 kg)
11809-X01	For 42 RMU, 78"H (1980 mm), T1	5 lb (2.3 kg)

X=mounting bracket color: 1=Gray, 2=Computer White, 7=Black. Rings are black plastic.

Caster Kit

Castors make it easy to move the cabinet to quickly reconfigure your work space.

- Front casters swivel; rear casters are fixed
- Increases cabinet height by 4.28" (105 mm)
- Attaches to the bottom of the cabinet frame; install casters prior to populating the cabinet

Caster Kit includes:

- Two gussets with locking full-swivel casters (front)
- Two reinforcement plates and fixed casters (rear)
- Installation hardware

Part Number	Description	Shipping Weight
14275-001	Caster Kit for T-Series	25 lb (11.3 kg)

Fan Kit

Forces hot exhaust air out of the top of the standard cabinet.

- Provides up to 300 CFM of ventilation for the cabinet
- Quick, easy mounting to the inside of the top panel on standard cabinets (not for use on high-density cabinets that have a Vertical Exhaust Duct)
- Includes one 12'L (3.7 m), detachable power cord with IEC C-13 connector and molded plug
- UL Recognized

Part Number	Description	Shipping Weight
12724-701	115 VAC, 50/60 Hz, NEMA 5-15P Plug	8 lb (3.6 kg)
12724-702	230 VAC, 50/60 Hz, NEMA 6-15P Plug	8 lb (3.6 kg)

Color is Black.

Intelligent Fan Door

Pushes hot exhaust air out of the rear of the standard cabinet.

- Temperature-controlled, variable speed DC fans provide up to 960 CFM of ventilation for the cabinet
- Quick, easy attachment; includes a push-button lock keyed to match cabinet doors/side panels
- Includes two 10'L (3 m), detachable power cords, each with (1) IEC C-13 connector and a molded NEMA 5-15P plug; requires two 115 VAC, 60 Hz power connections

Part Number	Description	Shipping Weight
13214-X10	For 45 RMU, 84"H (2130 mm), T1	66 lb (29.9 kg)
13214-X11	For 42 RMU, 78"H (1980 mm), T1	63 lb (28.6 kg)
13214-X20	For 45 RMU, 84"H (2130 mm), T2	71 lb (32.2 kg)
13214-X21	For 42 RMU, 78"H (1980 mm), T2	68 lb (30.8 kg)

X=color: 1=Gray, 2=Computer White, 7=Black

Vertical Cable Manager

Vertical cable manager for T2-style T-Series SteelFrame Cabinets. Attaches to the cabinet frame in the space between the equipment mounting rails and the side panel.

- Slides front-to-rear, independent of the equipment mounting rails
- Includes eight 2.3"W x 5.5"D (58 mm x 140 mm), plastic, C-shaped cable rings
- Cable rings and bracket can be oriented with the side or the front/rear of the cabinet

Part Number	Description	Shipping Weight
12465-X07	For 45 RMU, 84"H (2130 mm), T2	7 lb (3.2 kg)
12465-X06	For 42 RMU, 78"H (1980 mm), T2	7 lb (3.2 kg)

X=mounting bracket color: 1=Gray, 2=Computer White, 7=Black. Rings are black plastic.

