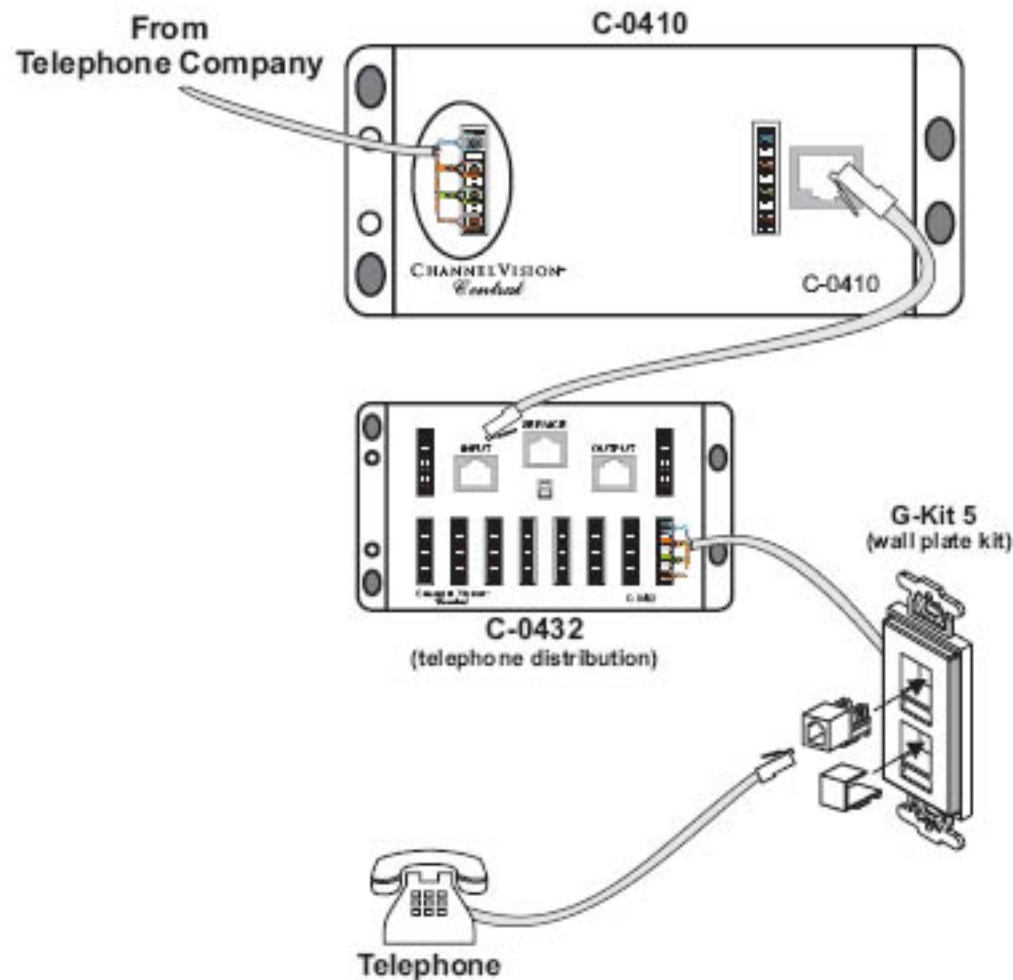


# Model C-0410

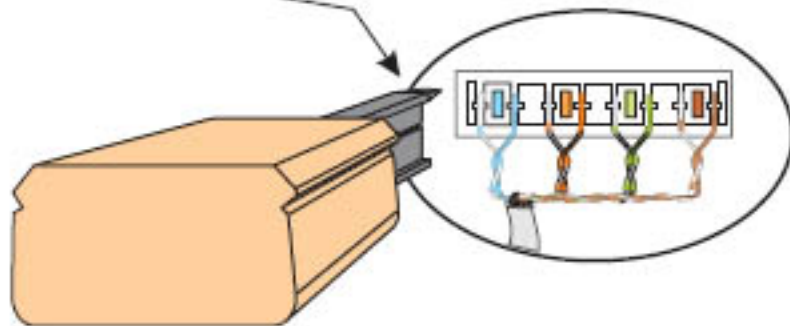
Telephone surge protection module



## Installation:

Punch down as many as 4 incoming telephone lines on the input 110 punch-down as shown. Use a 110 punch-down tool to seat and trim all wires

Note position of cutter



Connect any of the telephone outputs to wall plates in each room (see diagram).

## Features:

Protects against phone line transients caused by lightning, power cross, and other conditions.

Exceeds FCC Part 68 A and Type B lightning immunity requirements.

Bellcore 1 compliant (GR-1089) (2500V@500amps)

Easily connects to phone distribution modules using: C-0408 or C-0409 jumper cables

Snaps easily into Channel Vision Central enclosures: C-0112E, C-0119E, C-0138E, and C-0150E.

## Suggested wiring:

CAT5 wire from distribution to wallplate

CAT5 interconnects (models C-0408 and C-0409)



## Specifications:

Telco inputs: 1-110 punch-down

Outputs: 2 (1-RJ45 and 1-110)

Dimensions: 3.0"L x 6.38" W x 1.75" D

Specifications subject to change without notice.