

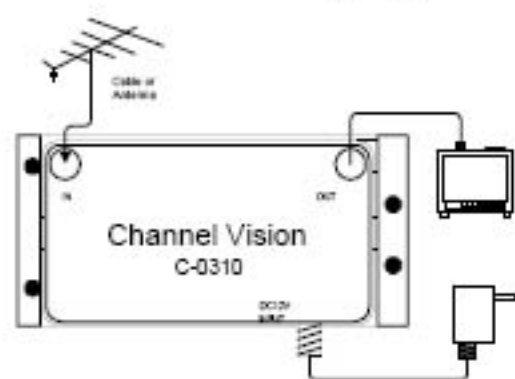
Description

Channel Vision's 10dB power injected amplifier increases the strength of the incoming cable or antenna signal. The increased signal strength means that you can distribute the television signal longer distances and to more outputs. Unlike most RF amplifiers, the C-0310 uses an external power supply that can be connected directly to the unit using a coax "F" connector. For added versatility an optional power injector may be used to feed power back to the amplifier from a remote location, thereby eliminating the need to install the C-0310 near a power outlet.

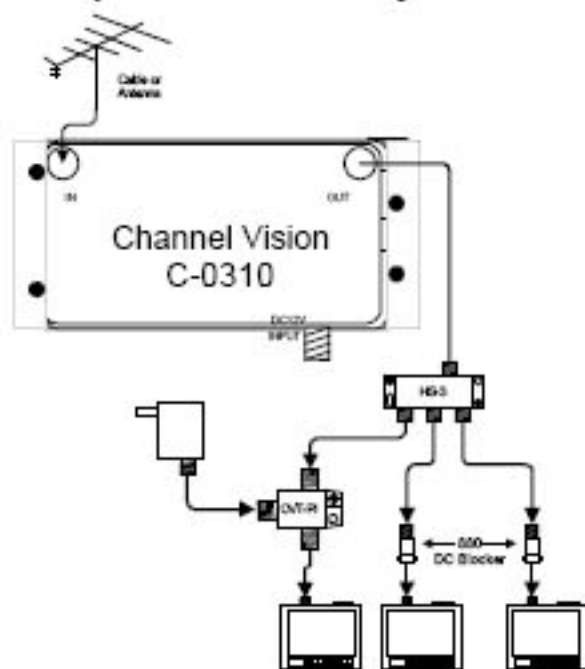
Specifications

Bandwidth	45-1000Mhz
Gain	10dB +/-1.5
Flatness	+/-1dB
Return Loss (min)	14dB
Output Power	+10dB
Dist. X-Mod.	-70dB
CTB	-65dB
Power Supply	12V/55mA

Standard Wiring Layout



Layout with Power Injector



Instructions

- Step 1:** Snap the C-0310 into C-0112,C-0119,C-0138,C-0150 chassis of your choice.
- Step 2:** Connect the incoming cable or antenna line to the INPUT port.
- Step 3:** Connect the outgoing coax cable to the OUTPUT port to distribute the signal to all the TV's in the house.
- Step 4:** Connect the power transformer to the DC12V INPUT. You can use an optional power injector (model #CVT-PI) down line in the system. If using a power injector, you must use DC passive splitters and DC blockers in the system (please see diagram).

Please Note:

The unused trunk line connector of the last outlet device in each trunk line **MUST BE TERMINATED** using a 75Ω terminator (model 2101).

Warning

To prevent fire or shock hazard, do not expose this appliance to rain or moisture

Sold by:

