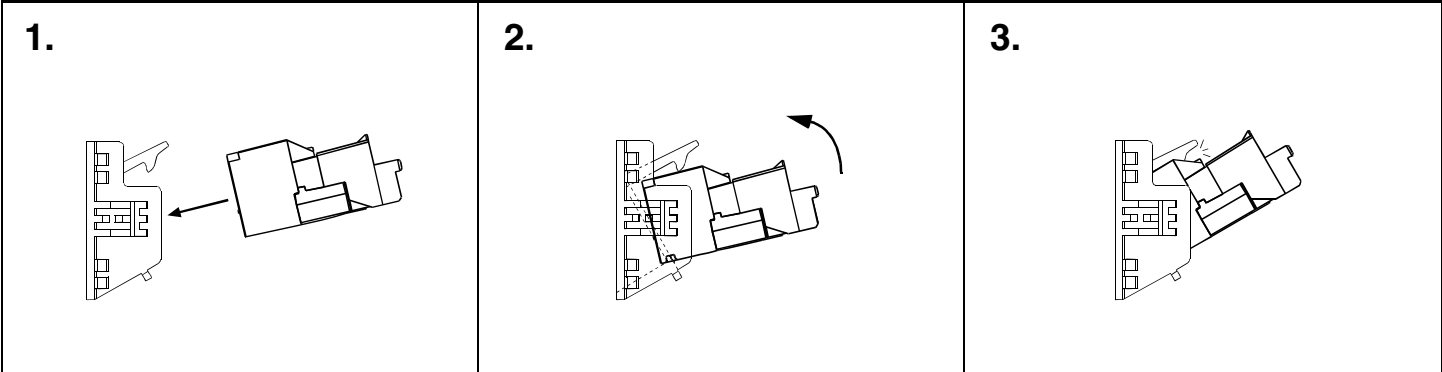
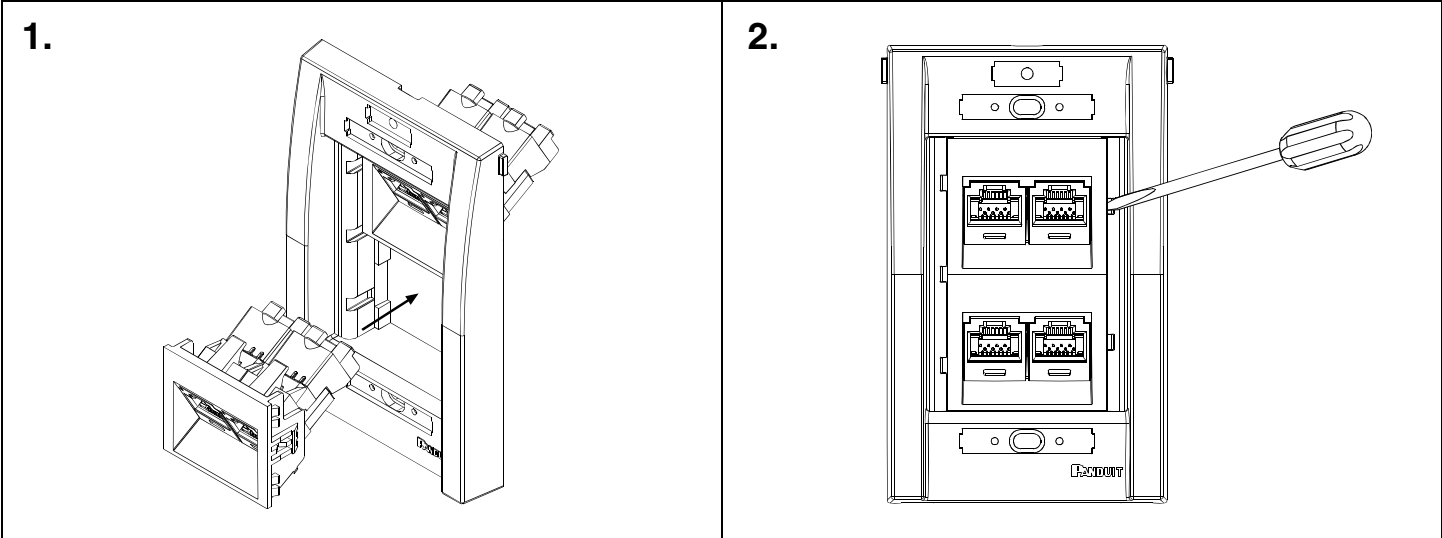


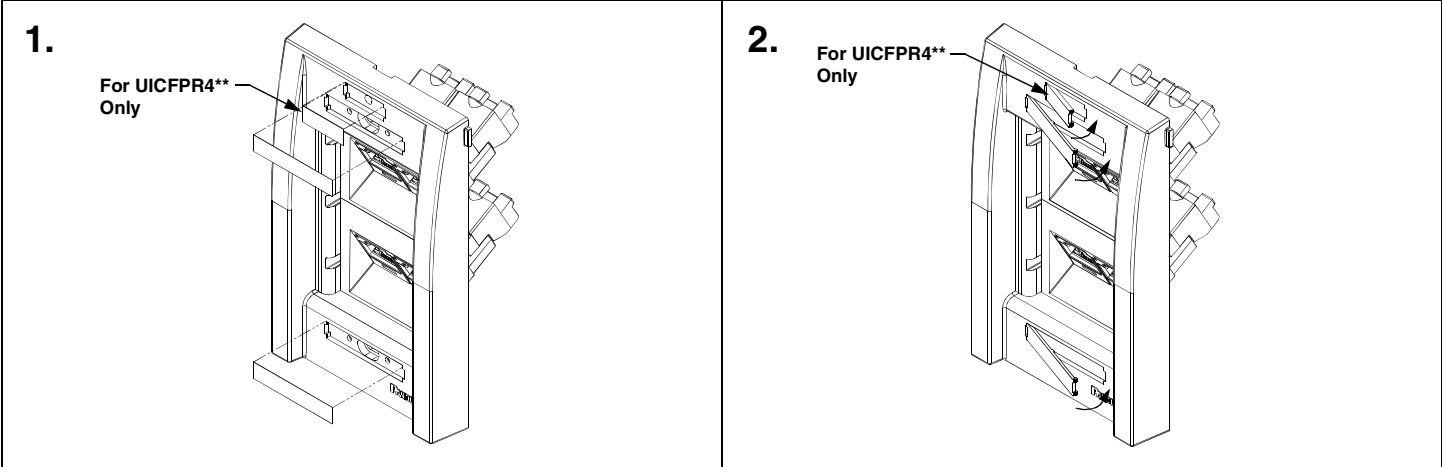
**Module Installation**



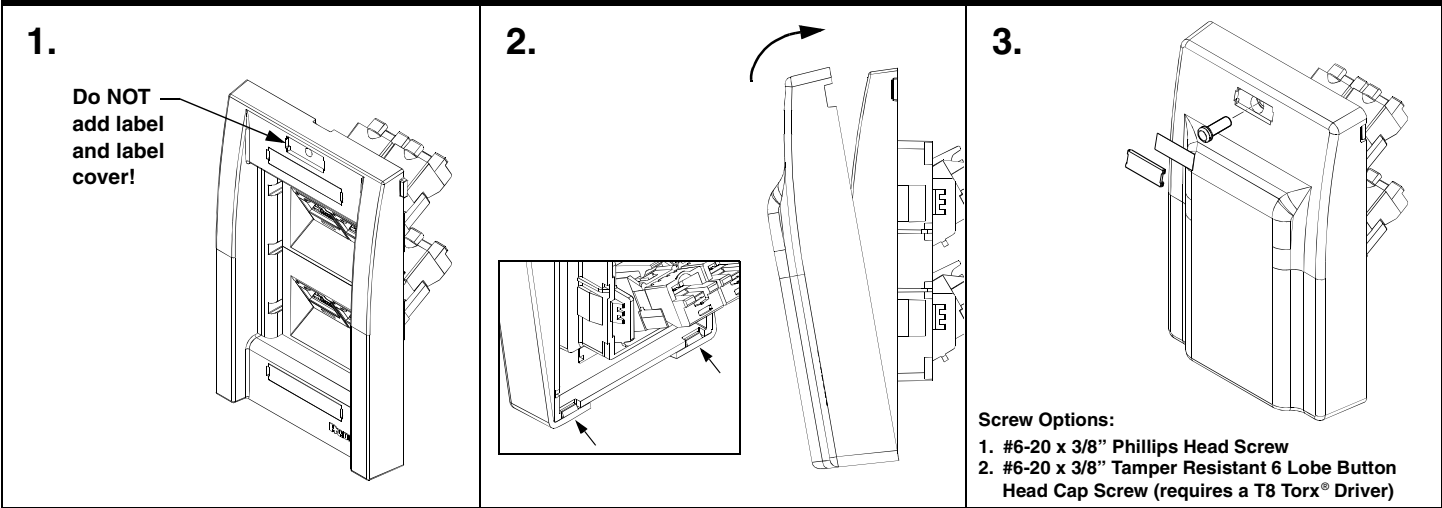
**Insert Installation / Removal**



**Label † / Label Cover Installation**



**Tamper Resistant Cover Installation - (For Part# UICFPRTR4\*\*)**



Note: Icons available as an optional accessory with image of Phone (UICIP\*\*) or Computer (UICID\*\*).

**ULTIMATE ID Label Part Numbers**

Label Part #	Height	Length	Color	Std. Pkg. Qty.
Computer Printable Labels				
UILJ1	.236"	.680"	White	5 sheets
UILJ2	.236"	1.315"	White	5 sheets
Non-Adhesive Label Cassette (for use with PANACEA LS7 Thermal Transfer Printer)				
*UILS7BW	1/4"	26.2'	Black / White	1

\* See PANDUIT LS7 Operations Manual to explain serialized function for label printing and page function for non-serialized label printing.

† Write on labels are not included with these faceplates per TIA/EIA-606-A standard which states: "To maximize legibility, all labels shall be printed or generated by a mechanical device, and shall not be written by hand."

<p>For Instructions in Local Languages and Technical Support:  <a href="http://www.panduit.com/resources/install_maintain.asp">www.panduit.com/resources/install_maintain.asp</a></p>	 <a href="http://www.panduit.com">www.panduit.com</a>	<p>E-mail:  <a href="mailto:cs@panduit.com">cs@panduit.com</a>                  Fax:                  (708) 444-6993</p>
---	---	--