

# Watertight Wiring Devices Product Line Bulletin



Leviton Wetguard<sup>®</sup>  
Plugs, Connectors,  
and Receptacles

Meets IP and NEMA  
Watertight Standards

Sold by:





# Wetguard® Product Line



## Table of Contents

**LIFETIME  
WARRANTY**



Wetguard Products  
Are Engineered to Meet  
or Exceed UL and IEC  
Watertight Standards

**Plugs & Connectors**  
mated or with closure caps  
meet IP66 & IP67 Standards

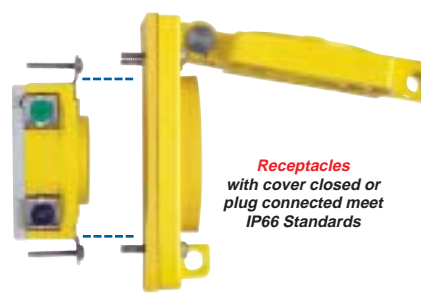
**All Wetguard Devices**  
Type 3, 3S, 4, 4X, 6 & 6P



26W47



27W47-B



67W47



23CM-10

**Receptacles**  
with cover closed or  
plug connected meet  
IP66 Standards

POLES/WIRES	AMPS	VOLTS	NEMA	PLUG		CONNECTOR W/ CLOSURE CAP		CORROSION RESISTANT RECEPTACLE, COVER, GASKET	CORROSION RESISTANT RECEPTACLE	PAGE NO.
				YELLOW	BLACK	YELLOW	BLACK			
<b>Straight Blade</b> 2-Pole 3-Wire Grounding	15	125V	5-15	14W47	14W47-B	15W47	15W47-B	60W47	5261-CR	3
		250V	6-15	14W49	-	15W49	-	60W49	5661-CR	3
		277V AC	7-15	14W34	-	15W34	-	-	-	3
<b>Locking</b> 2-Pole 3-Wire Grounding	20	125V	5-20	14W33	-	15W33	-	60W33	5361-CR	4
		250V	6-20	14W48	-	15W48	-	60W48	5461-CR	4
		277V AC	L7-20	26W49	-	27W49	-	67W49	23CM-30	4
<b>Locking</b> 2-Pole 3-Wire Grounding	15	125V	L5-15	24W47	-	25W47	-	65W47	47CM-10	3
		250V	L6-15	24W49	-	25W49	-	65W49	45CM-60	3
		277V AC	L7-15	24W34	-	25W34	-	65W34	47CM-60	3
<b>Locking</b> 2-Pole 3-Wire Grounding	20	125V	L5-20	26W47	26W47-B	27W47	27W47-B	67W47	23CM-10	4
		250V	L6-20	26W48	-	27W48	-	67W48	23CM-20	4
		277V AC	L7-20	26W49	-	27W49	-	67W49	23CM-30	4
<b>Locking</b> 3-Pole 4-Wire Grounding	20	125/250V	L14-20	26W74	-	27W74	-	67W74	24CM-10	5
		3ø 250V	L15-20	26W75	-	27W75	-	67W75	24CM-20	5
		3ø 480V	L16-20	26W76	-	27W76	-	67W76	24CM-30	5
<b>Locking</b> 3-Pole 3-Wire Non-Grounding	20	125/250V	Non-NEMA	26W08	-	27W08	-	67W08*	7310-B*	5
<b>Locking</b> 4-Pole 4-Wire Non-Grounding	20	3øY 120/208V	Non-NEMA	26W09	-	27W09	-	67W09*	7410-B*	5
<b>Locking</b> 4-Pole 5-Wire Grounding	20	3øY 120/208V	L21-20	26W81	26W81-B	27W81	27W81-B	67W81*	2510*	6
		3øY 277/480V	L22-20	26W82	-	27W82	-	67W82*	2520*	6
		3øY 347/600V	L23-20	26W83	-	27W83	-	67W83*	2530*	6
<b>Locking</b> 2-Pole 3-Wire Grounding	30	125V	L5-30	28W47	28W47-B	29W47	29W47-B	69W47	26CM-10	7
		250V	L6-30	28W48	-	29W48	-	69W48	26CM-20	7
		277V AC	L7-30	28W49	-	29W49	-	69W49*	2630*	7
<b>Locking</b> 3-Pole 4-Wire Grounding	30	125/250V	L14-30	28W74	-	29W74	-	69W74	27CM-10	7
		3ø 250V	L15-30	28W75	-	29W75	-	69W75	27CM-20	7
		3ø 480V	L16-30	28W76	-	29W76	-	69W76*	2730*	7
		3ø 600V	L17-30	28W77	-	29W77	-	69W77*	2740*	7
<b>Locking</b> 3-Pole 3-Wire Non-Grounding	30	125/250V	Non-NEMA	28W08	-	29W08	-	69W08*	3330*	8
<b>Locking</b> 4-Pole 4-Wire Non-Grounding	30	3øY 120/208V	Non-NEMA	28W09	-	29W09	-	69W09*	3430*	8
<b>Locking</b> 4-Pole 5-Wire Grounding	30	3øY 120/208V	L21-30	28W81	-	29W81	-	69W81*	2810*	8
		3øY 277/480V	L22-30	28W82	-	29W82	-	69W82*	2820*	8
		3øY 347/600V	L23-30	28W83	-	29W83	-	69W83*	2830*	8

\* Non-corrosion resistant receptacle

To learn more about Leviton devices or for answers to technical questions call our Techline at 1-800-824-3005 or visit us at: [www.leviton.com](http://www.leviton.com)



**LIFETIME WARRANTY**

**UL 498 Listed  
Federal Specification WC-596 Listed  
CSA Specification C22.2 No.42 Certified**

WETGUARD PRODUCTS MEET IP AND NEMA WATERTIGHT STANDARDS



Wetguard Products Are Engineered to Meet or Exceed UL and IEC Watertight Standards



Superior Performance - Superior Safety



Clear back cover on wiring module for easy inspection of wired terminals

Rubber body is molded to bondable nylon substrate to maximize sealing capability

EPTR rubber parts resist water and most acids, alkalis, grease, oil, and solvents. Offers UV stability and resists fungal growth

Heavy-duty, one-piece nickel-plated brass contacts for maximum conductivity

NEMA configuration number and rating molded onto device face

Cord Ranges 0.375" min., 1.125" max.

Module and husk keyed for alignment

Deep-fluted finger grips make for a firm grip when tightening nut

26W47

Non-magnetic stainless steel body assembly screws prevent electro-magnetic interference

Extra large, deep wiring wells for quick, easy insertion of stranded conductors

Combination Phillips/standard assembly screws (Robertson/Slotted for Canada)

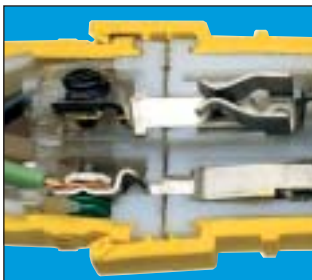
Innovative strain relief system and compression nut provide a watertight seal and prevent cord slippage

Nickel-plated brass blades, contacts, wiring screws and lugs resist corrosion

**National Electrical Code Article 100**  
Watertight: Constructed so that moisture will not enter the enclosure under specified test conditions



Superior Performance - Superior Safety



Interlocking tongue and groove construction forms barrier against entry of dirt and moisture.



Multi-point sealing system utilizes a nut strain relief washer and a rubber bushing to form a watertight cord grip seal.



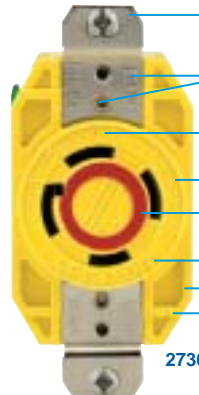
Corrosion resistant brass nickel-plated blades pass 500 Hr. salt spray test.



Single piece high-conductivity rivetless contacts reduce potential for overheating.

COMPONENT	DESCRIPTION
Body	Ethylene Propylene Thermoplastic Rubber
Compression Nut; Strain Relief	Nylon
Wiring Module	Thermoplastic
Bushing	Ethylene Propylene Thermoplastic Rubber
Blades/Contacts; Terminal Clamps	Nickel-Plated Brass
Terminal Screws	Nickel-Plated #10 Brass
Assembly Screws	Stainless Steel 300 Series
Wiring Module	Bondable Nylon

STANDARDS & CERTIFICATIONS					
NEMA WD-6	ANSI C-73	UL 498	UL Fed Spec WC-596	CSA C22.2 No. 42	NOM
✓	✓	✓	#E13393	#LR-406	#057



Extra thick 0.050" nickel-plated brass mounting strap  
Stamped-in agency certifications  
Amperage & voltage rating  
NEMA line number  
Color-coded voltage rating  
Manufacturer  
Uni-body face  
Stability ribs

**V-0-MAX**  
CORROSION RESISTANT  
FLUSH RECEPTACLES-UL V-0 RATING

V-0-MAX have a one-piece 0.040" thick brass, high-copper content contacts with nickel-plated clamp type terminals.

Color-Coded Voltage Ratings

125V	250V	277V AC
125/250V	3ø250V	3ø480V

**FLAMMABILITY CLASSIFICATIONS**

The UL 94 20mm Vertical Burning Test compares plastic materials in terms of three burning characteristics: Relative Speed of Burning, Ability to Extinguish Fire and Inability to Propagate Fire. The V-0-MAX Receptacle materials have earned the best rating possible: V-0

Wetguard® Plugs, Connectors & Receptacles



# 15 Amp 2-P 3-W



**LIFETIME  
WARRANTY**

Wetguard® Straight Blade & Locking Plugs, Connectors & Receptacles

ELECTRICAL	
<b>DIELECTRIC VOLTAGE</b>	<b>CURRENT INTERRUPT.</b>
Withstands 2000V per UL 498	Full rated current
<b>TEMP. RISE</b>	
Max 30°C after 250 cycles of overload at 200% of rated current	

MECHANICAL							
TERMINAL I.D.	PRODUCT I.D.	DEVICE TYPE	CORD GRIP RANGE				
Brass, hot	Ratings & NEMA I.D. permanently marked on device	15 & 20A Straight Blade & 15A Locking - 3-Wire	(.375" - .655") #18-#10 AWG				
Grounding		20A Locking 3-, 4- & 5-Wire	(.375" - .875") #18-#10 AWG				
White, neutral		30A Locking 3-, 4- & 5-Wire	(.625" - 1.125") #12-#8 AWG				
ENVIRONMENTAL			STANDARDS & CERTIFICATIONS				
<b>FLAMMABILITY</b>	<b>OPERATING TEMP.</b>	<b>NEMA WD-6</b>	<b>ANSI C-73</b>	<b>UL 498</b>	<b>UL Fed Spec Listed WC-596</b>	<b>CSA C22.2 No.42</b>	<b>NOM</b>
Plugs & Connectors Rated V-2 per UL 94	Receptacles Rated V-0 per UL 94	-40°C to 60°C	✓	✓	✓	Plugs & Connectors #E13393 Receptacles #E13399	#LR-406 #057



**Plugs & Connectors**  
mated or with closure caps  
meet IP66 & IP67 Standards



**Wetguard Products**  
Are Engineered to Meet or Exceed UL and IEC Watertight Standards



14W47



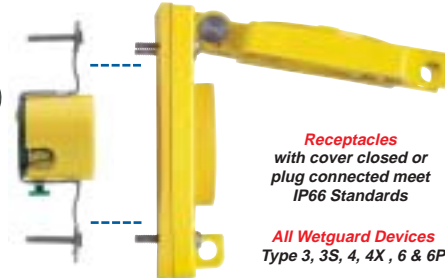
14W47-B



15W47



15W47-B



60W47

**Receptacles**  
with cover closed or  
plug connected meet  
IP66 Standards

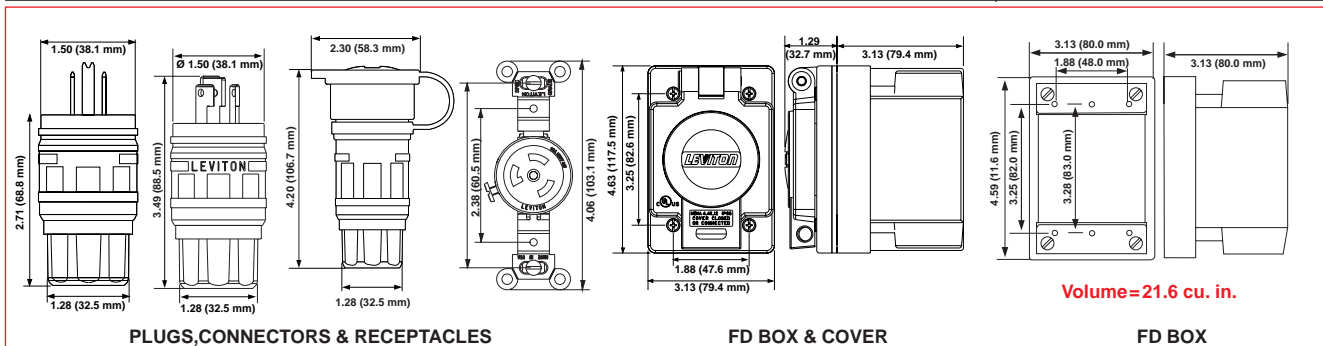
**All Wetguard Devices**  
Type 3, 3S, 4, 4X, 6 & 6P



47CM-10

TYPE-EPTR	PLUG	NEMA PLUG	CONNECTOR w/ CLOSURE CAP	CORROSION RESISTANT RECEPTACLE, COVER, GASKET	CORROSION RESISTANT RECEPTACLE	NEMA RECEPTACLE
<b>15A 125V, 2-P 3-W, Grounding</b>						
Yellow Rubber	14W47	5-15P	15W47	60W47	5261-CR	5-15R
Black Rubber	14W47-B		15W47-B	See Below for Black Catalog No.	-	
<b>15A 250V, 2-P 3-W, Grounding</b>						
Yellow Rubber	14W49	6-15P	15W49	60W49	5661-CR	6-15R
<b>15A 277V, 2-P 3-W, Grounding</b>						
Yellow Rubber	14W34	7-15P	15W34	-	-	7-15R
<b>15A 125V, 2-P 3-W, Grounding</b>						
Yellow Rubber	24W47	L5-15P	25W47	65W47	47CM-10	L5-15R
<b>15A 250V, 2-P 3-W, Grounding</b>						
Yellow Rubber	24W49	L6-15P	25W49	65W49	45CM-60	L6-15R
<b>15A 277V, 2-P 3-W, Grounding</b>						
Yellow Rubber	24W34	L7-15P	25W34	65W34	47CM-60	L7-15R

CONNECTOR CAPS For Black Caps, Add Suffix -B	PLUG CAPS For Black Caps, Add Suffix -B	COVER w/ GASKET For Black Covers, Add Suffix -B	BLANK PLATE w/ GASKET	FD BOX GLASS-FILLED POLYESTER (2 KO Openings)
<ul style="list-style-type: none"> <li>Yellow</li> <li>15/20A Str. Blade &amp; 15A Locking</li> <li>50W50</li> <li>20A Locking</li> <li>50W52</li> <li>30A Locking</li> <li>50W54</li> </ul>	<ul style="list-style-type: none"> <li>Yellow</li> <li>15/20A Str. Blade &amp; 15A Locking</li> <li>14W</li> <li>20A Locking</li> <li>26W</li> <li>30A Locking</li> <li>28W</li> </ul>	<ul style="list-style-type: none"> <li>Yellow</li> <li>15/20A Str. Blade &amp; 15A Locking</li> <li>60W03</li> <li>20A Locking</li> <li>60W04</li> <li>30A Locking</li> <li>60W05</li> </ul>	<ul style="list-style-type: none"> <li>Yellow</li> <li>WP459</li> </ul>	<ul style="list-style-type: none"> <li>Yellow</li> <li>1/2"</li> <li>452CR</li> <li>3/4"</li> <li>453CR</li> <li>1"</li> <li>454CR</li> </ul>





**LIFETIME  
WARRANTY**

ELECTRICAL	
<b>DIELECTRIC VOLTAGE</b>	<b>CURRENT INTERR.</b>
Withstands 2000V per UL 498	Full rated current
<b>TEMP. RISE</b>	
Max 30°C after 250 cycles of overload at 200% of rated current	

MECHANICAL						
TERMINAL I.D.	PRODUCT I.D.	DEVICE TYPE			CORD GRIP RANGE	
Brass, hot Grounding White, neutral	Ratings & NEMA I.D. permanently marked on device	15 & 20A Straight Blade & 15A Locking - 3-Wire 20A Locking 3-, 4- & 5-Wire 30A Locking 3-, 4- & 5-Wire			(.375" - .655") #18-#10 AWG (.375" - .875") #18-#10 AWG (.625" - 1.125") #12-#8 AWG	
ENVIRONMENTAL				STANDARDS & CERTIFICATIONS		
<b>FLAMMABILITY</b>		<b>OPERATING TEMP.</b>		<b>NEMA WD-6</b>	<b>ANSI C-73</b>	<b>UL 498</b>
Plugs & Connectors Rated V-2 per UL 94	Receptacles Rated V-0 per UL 94	-40°C to 60°C		✓	✓	✓
				<b>UL Fed Spec Listed WC-596</b>	<b>CSA C22.2 No.42</b>	<b>NOM</b>
				Plugs & Connectors #E13393	Receptacles #E13399	#LR-406 #057



**Wetguard Products**  
Are Engineered to Meet or Exceed UL and IEC Watertight Standards

**Plugs & Connectors**  
mated or with closure caps meet IP66 & IP67 Standards



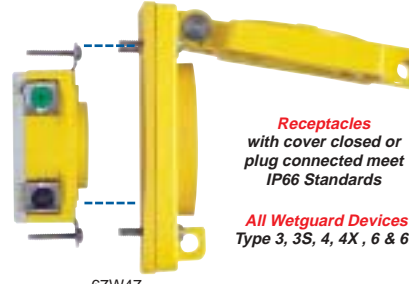
26W47



27W47



27W47-B



67W47

**Receptacles**  
with cover closed or plug connected meet IP66 Standards

**All Wetguard Devices**  
Type 3, 3S, 4, 4X, 6 & 6P



23CM-10

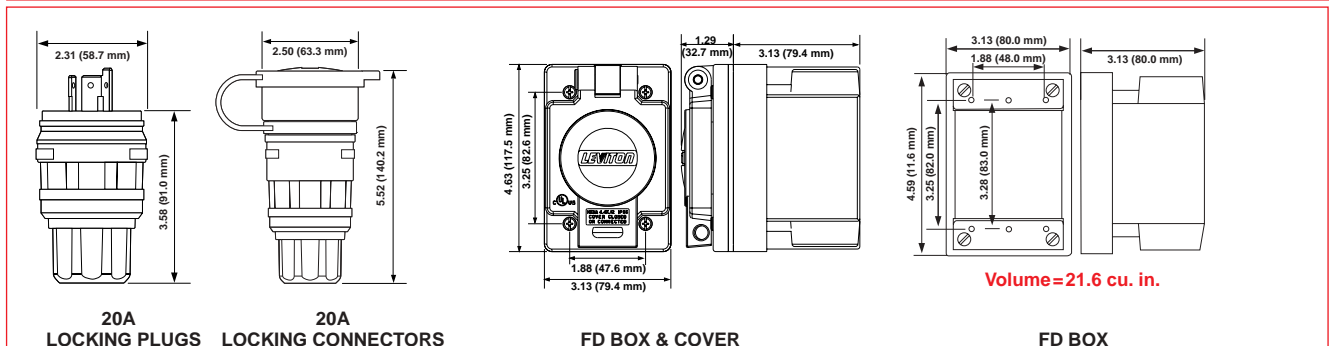
TYPE-EPTR	PLUG	NEMA PLUG	CONNECTOR w/ CLOSURE CAP	CORROSION RESISTANT RECEPTACLE, COVER, GASKET	CORROSION RESISTANT RECEPTACLE	NEMA RECEPTACLE
<b>20A 125V, 2-P 3-W, Grounding</b>						
Yellow EPTR	14W33	5-20P	15W33	60W33	5361-CR	5-20R
<b>20A 250V, 2-P 3-W, Grounding</b>						
Yellow EPTR	14W48	6-20P	15W48	60W48	5461-CR	6-20R
<b>20A 125V, 2-P 3-W, Grounding</b>						
Yellow EPTR	26W47	L5-20P	27W47	67W47	23CM-10	L5-20R
Black EPTR	26W47-B		27W47-B	See Below for Black Catalog No.		
<b>20A 250V, 2-P 3-W, Grounding</b>						
Yellow EPTR	26W48	L6-20P	27W48	67W48	23CM-20	L6-20R
<b>20A 277V, 2-P 3-W, Grounding</b>						
Yellow EPTR	26W49	L7-20P	27W49	67W49	23CM-30	L7-20R

CONNECTOR CAPS For Black Caps, Add Suffix -B	PLUG CAPS For Black Caps, Add Suffix -B	COVER w/ GASKET For Black Covers, Add Suffix -B	BLANK PLATE w/ GASKET	FD BOX GLASS-FILLED POLYESTER (2 KO Openings)
<b>Yellow</b> 15/20A Str. Blade & 15A Locking 50W50 20A Locking 50W52 30A Locking 50W54	<b>Yellow</b> 15/20A Str. Blade & 15A Locking 14W 20A Locking 26W 30A Locking 28W	<b>Yellow</b> 15/20A Str. Blade & 15A Locking 60W03 20A Locking 60W04 30A Locking 60W05	<b>Yellow</b> WP459	<b>Yellow</b> 1/2" 452CR 3/4" 453CR 1" 454CR



**Canadian Specifications: Applies to pages 3 & 4**

15W16 — NEMA 15-20, 15 Amp 347V AC and 15W18 — NEMA 24-20, 20 Amp 347V AC are available. Please consult factory for availability.





# 20 Amp 3-P 3-W 3-P 4-W



**LIFETIME  
WARRANTY**

ELECTRICAL	
<b>DIELECTRIC VOLTAGE</b>	<b>CURRENT INTERR.</b>
Withstands 2000V per UL 498	Full rated current
<b>TEMP. RISE</b>	
Max 30°C after 250 cycles of overload at 200% of rated current	

MECHANICAL								
TERMINAL I.D.	PRODUCT I.D.	DEVICE TYPE			CORD GRIP RANGE			
Brass, hot Grounding White, neutral	Ratings & NEMA I.D. permanently marked on device	15 & 20A Straight Blade & 15A Locking - 3-Wire 20A Locking 3-,4- & 5-Wire 30A Locking 3-,4- & 5-Wire			(,375" - ,655") #18-#10 AWG (,375" - ,875") #18-#10 AWG (,625" - 1,125") #12-#8 AWG			
ENVIRONMENTAL				STANDARDS & CERTIFICATIONS				
<b>FLAMMABILITY</b>		<b>OPERATING TEMP.</b>	<b>NEMA WD-6</b>	<b>ANSI C-73</b>	<b>UL 498</b>	<b>UL Fed Spec Listed WC-596</b>	<b>CSA C22.2 No.42</b>	<b>NOM</b>
Plugs & Connectors Rated V-2 per UL 94	Receptacles Rated V-0 per UL 94	-40°C to 60°C	✓	✓	✓	Plugs & Connectors #E13393 Receptacles #E13399	#LR-406	#057



**Wetguard Products**  
Are Engineered to Meet or Exceed UL and IEC Watertight Standards

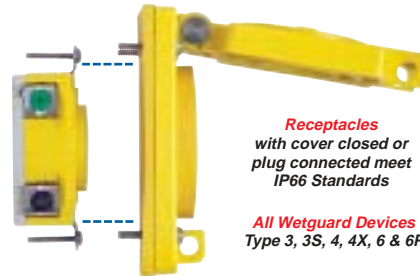


26W76

**Plugs & Connectors**  
mated or with closure caps meet IP66 & IP67 Standards



27W74



67W74

**Receptacles**  
with cover closed or plug connected meet IP66 Standards



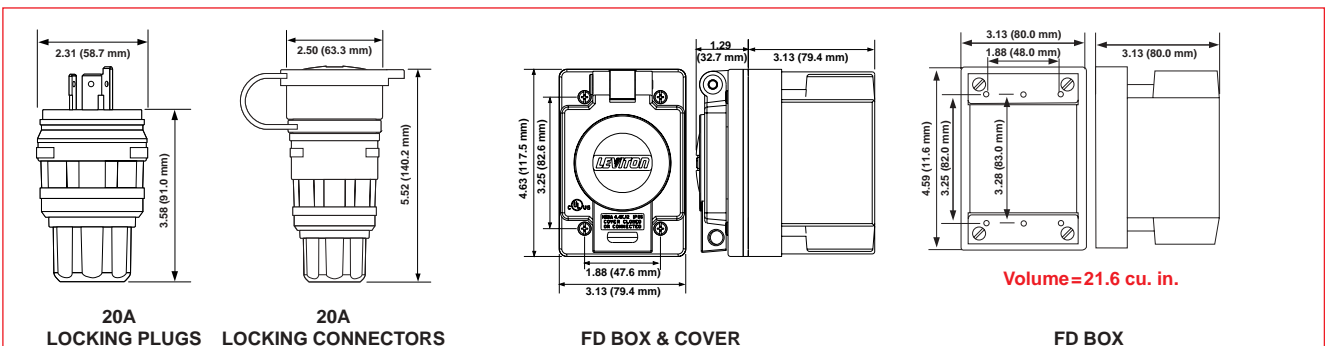
24CM-10

**All Wetguard Devices**  
Type 3, 3S, 4, 4X, 6 & 6P

TYPE-EPTR	PLUG	NEMA PLUG	CONNECTOR w/ CLOSURE CAP	CORROSION RESISTANT RECEPTACLE, COVER, GASKET	CORROSION RESISTANT RECEPTACLE	NEMA RECEPTACLE
<b>20A 125/250V, 3-P 4-W, Grounding</b>						
Yellow EPTR	26W74	L14-20P	27W74	67W74	24CM-10	L14-20R
<b>20A 3ø 250V, 3-P 4-W, Grounding</b>						
Yellow EPTR	26W75	L15-20P	27W75	67W75	24CM-20	L15-20R
<b>20A 3ø 480V, 3-P 4-W, Grounding</b>						
Yellow EPTR	26W76	L16-20P	27W76	67W76	24CM-30	L16-20R
<b>20A 125/250V, Non-NEMA, 3-P 3-W, Non-Grounding, Non UL Listed - for Replacement Use Only</b>						
Yellow EPTR	26W08	Non-NEMA	27W08	67W08*	7310-B*	Non-NEMA

\* Non-corrosion resistant receptacle

CONNECTOR CAPS For Black Caps, Add Suffix -B	PLUG CAPS For Black Caps, Add Suffix -B	COVER w/ GASKET For Black Covers, Add Suffix -B	BLANK PLATE w/ GASKET	FD BOX GLASS-FILLED POLYESTER (2 KO Openings)
<b>Yellow</b> 15/20A Str. Blade & 15A Locking 50W50 20A Locking 50W52 30A Locking 50W54	<b>Yellow</b> 15/20A Str. Blade & 15A Locking 14W 20A Locking 26W 30A Locking 28W	<b>Yellow</b> 15/20A Str. Blade & 15A Locking 60W03 20A Locking 60W04 30A Locking 60W05	<b>Yellow</b> WP459	<b>Yellow</b> 1/2" 452CR 3/4" 453CR 1" 454CR



Wetguard® Watertight Locking Plugs, Connectors & Receptacles



**LIFETIME WARRANTY**

ELECTRICAL	
<b>DIELECTRIC VOLTAGE</b>	<b>CURRENT INTERRUPT.</b>
Withstands 2000V per UL 498	Full rated current
<b>TEMP. RISE</b>	
Max 30°C after 250 cycles of overload at 200% of rated current	

MECHANICAL								
TERMINAL I.D.	PRODUCT I.D.	DEVICE TYPE	CORD GRIP RANGE					
Brass, hot	Ratings & NEMA I.D. permanently marked on device	15 & 20A Straight Blade & 15A Locking - 3-Wire	(.375" - .655") #18-#10 AWG					
Grounding		20A Locking 3-, 4- & 5-Wire	(.375" - .875") #18-#10 AWG					
White, neutral		30A Locking 3-, 4- & 5-Wire	(.625" - 1.125") #12-#8 AWG					
ENVIRONMENTAL				STANDARDS & CERTIFICATIONS				
FLAMMABILITY		OPERATING TEMP.	NEMA WD-6	ANSI C-73	UL 498	UL Fed Spec Listed WC-596	CSA C22.2 No.42	NOM
Plugs & Connectors Rated V-2 per UL 94		Receptacles Rated V-0 per UL 94	-40°C to 60°C	✓	✓	✓	Plugs & Connectors #E13393 Receptacles #E13399	#LR-406 #057



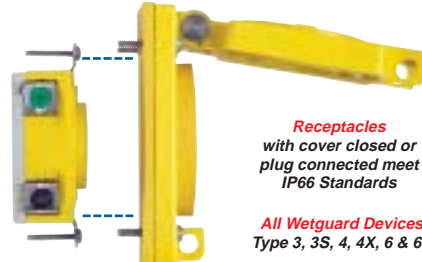
**Wetguard Products** Are Engineered to Meet or Exceed UL and IEC Watertight Standards



26W83



27W83



67W82



25CM-20

**Plugs & Connectors** mated or with closure caps meet IP66 & IP67 Standards

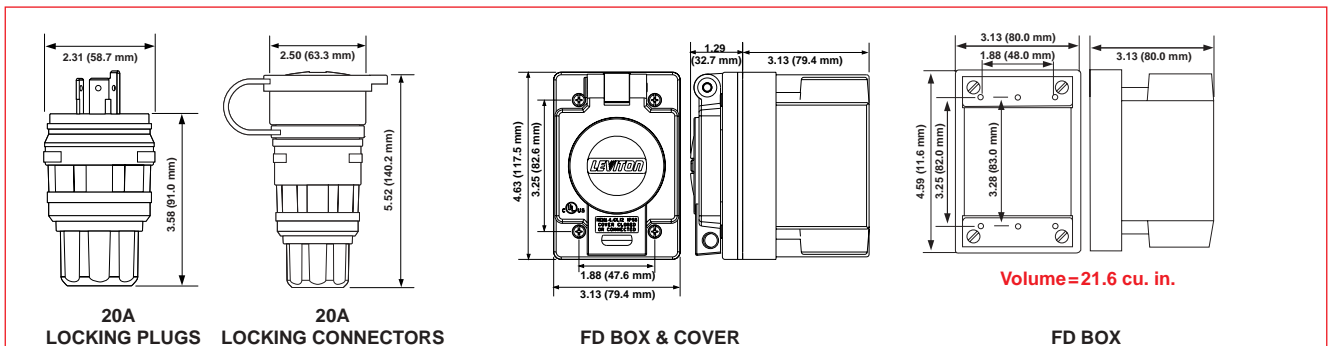
**Receptacles** with cover closed or plug connected meet IP66 Standards

**All Wetguard Devices** Type 3, 3S, 4, 4X, 6 & 6P

TYPE-EPTR	PLUG	NEMA PLUG	CONNECTOR w/ CLOSURE CAP	RECEPTACLE, CORROSION RESISTANT COVER & GASKET	RECEPTACLE	NEMA RECEPTACLE
<b>20A 3ØY 120/208V, Non-NEMA, 4-P 4-W, Non-Grounding, Non UL Listed - for Replacement Use Only</b>						
Yellow EPTR	26W09	Non-NEMA	27W09	67W09*	7410-B*	Non-NEMA
<b>20A 3ØY 120/208V, 4-P 5-W, Grounding</b>						
Yellow EPTR Black EPTR	26W81 26W81-B	L21-20P	27W81 27W81-B	67W81* See Below for Black Catalog No.	2510* -	L21-20R
<b>20A 3ØY 277/480V, 4-P 5-W, Grounding</b>						
Yellow EPTR	26W82	L22-20P	27W82	67W82*	2520*	L22-20R
<b>20A 3ØY 347/600V, 4-P 5-W, Grounding</b>						
Yellow EPTR	26W83	L23-20P	27W83	67W83*	2530*	L23-20R

\* Non-corrosion resistant receptacle

CONNECTOR CAPS For Black Caps, Add Suffix -B	PLUG CAPS For Black Caps, Add Suffix -B	COVER w/ GASKET For Black Covers, Add Suffix -B	BLANK PLATE w/ GASKET	FD BOX GLASS-FILLED POLYESTER (2 KO Openings)																														
<table border="1"> <tr><td><b>Yellow</b></td></tr> <tr><td>15/20A Str. Blade &amp; 15A Locking</td></tr> <tr><td>50W50</td></tr> <tr><td>20A Locking</td></tr> <tr><td>50W52</td></tr> <tr><td>30A Locking</td></tr> <tr><td>50W54</td></tr> </table>	<b>Yellow</b>	15/20A Str. Blade & 15A Locking	50W50	20A Locking	50W52	30A Locking	50W54	<table border="1"> <tr><td><b>Yellow</b></td></tr> <tr><td>15/20A Str. Blade &amp; 15A Locking</td></tr> <tr><td>14W</td></tr> <tr><td>20A Locking</td></tr> <tr><td>26W</td></tr> <tr><td>30A Locking</td></tr> <tr><td>28W</td></tr> </table>	<b>Yellow</b>	15/20A Str. Blade & 15A Locking	14W	20A Locking	26W	30A Locking	28W	<table border="1"> <tr><td><b>Yellow</b></td></tr> <tr><td>15/20A Str. Blade &amp; 15A Locking</td></tr> <tr><td>60W03</td></tr> <tr><td>20A Locking</td></tr> <tr><td>60W04</td></tr> <tr><td>30A Locking</td></tr> <tr><td>60W05</td></tr> </table>	<b>Yellow</b>	15/20A Str. Blade & 15A Locking	60W03	20A Locking	60W04	30A Locking	60W05	<table border="1"> <tr><td><b>Yellow</b></td></tr> <tr><td>WP459</td></tr> </table>	<b>Yellow</b>	WP459	<table border="1"> <tr><td><b>Yellow</b></td></tr> <tr><td>1/2"</td></tr> <tr><td>452CR</td></tr> <tr><td>3/4"</td></tr> <tr><td>453CR</td></tr> <tr><td>1"</td></tr> <tr><td>454CR</td></tr> </table>	<b>Yellow</b>	1/2"	452CR	3/4"	453CR	1"	454CR
<b>Yellow</b>																																		
15/20A Str. Blade & 15A Locking																																		
50W50																																		
20A Locking																																		
50W52																																		
30A Locking																																		
50W54																																		
<b>Yellow</b>																																		
15/20A Str. Blade & 15A Locking																																		
14W																																		
20A Locking																																		
26W																																		
30A Locking																																		
28W																																		
<b>Yellow</b>																																		
15/20A Str. Blade & 15A Locking																																		
60W03																																		
20A Locking																																		
60W04																																		
30A Locking																																		
60W05																																		
<b>Yellow</b>																																		
WP459																																		
<b>Yellow</b>																																		
1/2"																																		
452CR																																		
3/4"																																		
453CR																																		
1"																																		
454CR																																		



Wetguard® Watertight Locking Plugs, Connectors & Receptacles



# 30 Amp

## 2-P 3-W

## 3-P 4-W



**LIFETIME WARRANTY**

ELECTRICAL	
<b>DIELECTRIC VOLTAGE</b>	<b>CURRENT INTERR.</b>
Withstands 2000V per UL 498	Full rated current
<b>TEMP. RISE</b>	
Max 30°C after 250 cycles of overload at 200% of rated current	

MECHANICAL										
TERMINAL I.D.	PRODUCT I.D.	DEVICE TYPE			CORD GRIP RANGE					
Brass, hot	Ratings & NEMA I.D. permanently marked on device	15 & 20A Straight Blade & 15A Locking - 3-Wire			(.375" - .655") #18-#10 AWG					
Grounding		20A Locking 3-,4- & 5-Wire			(.375" - .875") #18-#10 AWG					
White, neutral		30A Locking 3-,4- & 5-Wire			(.625" - 1.125") #12-#8 AWG					
ENVIRONMENTAL				STANDARDS & CERTIFICATIONS						
<b>FLAMMABILITY</b>		<b>OPERATING TEMP.</b>		<b>NEMA WD-6</b>	<b>ANSI C-73</b>	<b>UL 498</b>	<b>UL Fed Spec Listed WC-596</b>	<b>CSA C22.2 No.42</b>	<b>NOM</b>	
Plugs & Connectors Rated V-2 per UL 94		Receptacles Rated V-0 per UL 94		-40°C to 60°C		✓	✓	✓	Plugs & Connectors #E13393 Receptacles #E13399	#LR-406 #057



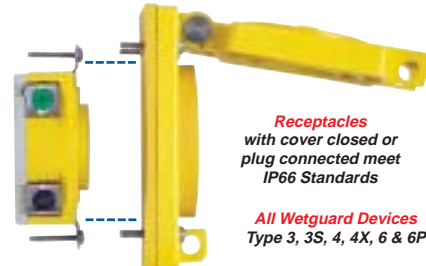
**Wetguard Products** Are Engineered to Meet or Exceed UL and IEC Watertight Standards



28W47-B



29W47-B



69W76



27CM-30

**Plugs & Connectors** mated or with closure caps meet IP66 & IP67 Standards

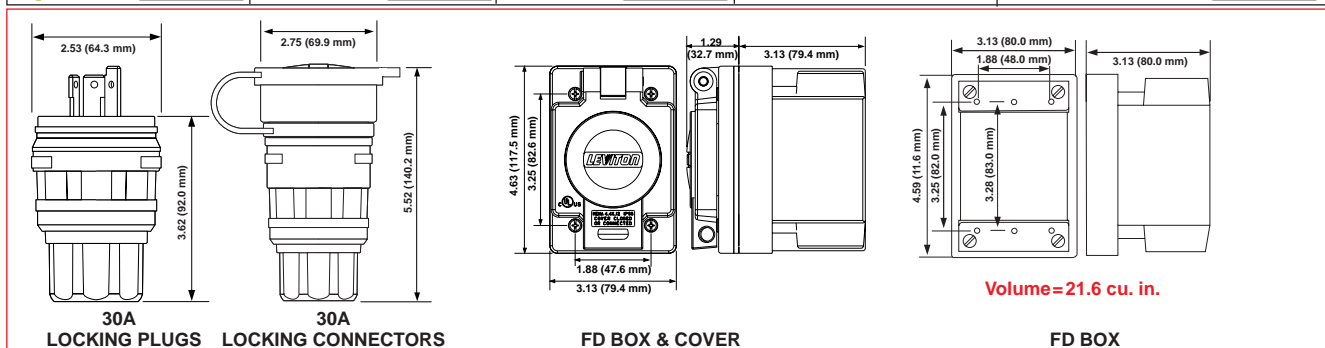
**Receptacles** with cover closed or plug connected meet IP66 Standards

**All Wetguard Devices** Type 3, 3S, 4, 4X, 6 & 6P

TYPE-EPTR	PLUG	NEMA PLUG	CONNECTOR w/ CLOSURE CAP	CORROSION RESISTANT RECEPTACLE, COVER, GASKET	CORROSION RESISTANT RECEPTACLE	NEMA RECEPTACLE
<b>30A 125V, 2-P 3-W, Grounding</b>						
Yellow EPTR	28W47	L5-30P	29W47	69W47	26CM-10	L5-30R
Black EPTR	28W47-B		29W47-B	See Below for Black Catalog No.	-	
<b>30A 250V, 2-P 3-W, Grounding</b>						
Yellow EPTR	28W48	L6-30P	29W48	69W48	26CM-20	L6-30R
<b>30A 277V, 2-P 3-W, Grounding</b>						
Yellow EPTR	28W49	L7-30P	29W49	69W49*	2630*	L7-30R
<b>30A 125/250V, 3-P 4-W, Grounding</b>						
Yellow EPTR	28W74	L14-30P	29W74	69W74	27CM-10	L14-30R
<b>30A 3ø 250V, 3-P 4-W, Grounding</b>						
Yellow EPTR	28W75	L15-30P	29W75	69W75	27CM-20	L15-30R
<b>30A 3ø 480V, 3-P 4-W, Grounding</b>						
Yellow EPTR	28W76	L16-30P	29W76	69W76*	2730*	L16-30R

\* Non-corrosion resistant receptacle

CONNECTOR CAPS For Black Caps, Add Suffix -B	PLUG CAPS For Black Caps, Add Suffix -B	COVER w/ GASKET For Black Covers, Add Suffix -B	BLANK PLATE w/ GASKET	FD BOX GLASS-FILLED POLYESTER (2 KO Openings)
<ul style="list-style-type: none"> <li>Yellow</li> <li>15/20A Str Blade &amp; 15A Locking</li> <li>50W50</li> <li>20A Locking</li> <li>50W52</li> <li>30A Locking</li> <li>50W54</li> </ul>	<ul style="list-style-type: none"> <li>Yellow</li> <li>15/20A Str Blade &amp; 15A Locking</li> <li>14W</li> <li>20A Locking</li> <li>26W</li> <li>30A Locking</li> <li>28W</li> </ul>	<ul style="list-style-type: none"> <li>Yellow</li> <li>15/20A Str Blade &amp; 15A Locking</li> <li>60W03</li> <li>20A Locking</li> <li>60W04</li> <li>30A Locking</li> <li>60W05</li> </ul>	<ul style="list-style-type: none"> <li>Yellow</li> <li>WP459</li> </ul>	<ul style="list-style-type: none"> <li>Yellow</li> <li>1/2"</li> <li>452CR</li> <li>3/4"</li> <li>453CR</li> <li>1"</li> <li>454CR</li> </ul>



Wetguard® Watertight Locking Plugs, Connectors & Receptacles





**LIFETIME WARRANTY**

## 3-P 3-W 3-P 4-W 4P-4W 4-P 5-W

ELECTRICAL	
<b>DIELECTRIC VOLTAGE</b>	<b>CURRENT INTERRUPT.</b>
Withstands 2000V per UL 498	Full rated current
<b>TEMP. RISE</b>	
Max 30°C after 250 cycles of overload at 200% of rated current	

MECHANICAL									
TERMINAL I.D.	PRODUCT I.D.	DEVICE TYPE			CORD GRIP RANGE				
Brass, hot	Ratings & NEMA I.D. permanently marked on device	15 & 20A Straight Blade & 15A Locking - 3-Wire			(.375" - .655") #18-#10 AWG				
Grounding		20A Locking 3-,4- & 5-Wire			(.375" - .875") #18-#10 AWG				
White, neutral		30A Locking 3-,4- & 5-Wire			(.625" - 1.125") #12-#8 AWG				
ENVIRONMENTAL				STANDARDS & CERTIFICATIONS					
<b>FLAMMABILITY</b>		<b>OPERATING TEMP.</b>		<b>NEMA WD-6</b>	<b>ANSI C-73</b>	<b>UL 498</b>	<b>UL Fed Spec Listed WC-596</b>	<b>CSA C22.2 No.42</b>	<b>NOM</b>
Plugs & Connectors Rated V-2 per UL 94		Receptacles Rated V-0 per UL 94		-40°C to 60°C	✓	✓	✓	Plugs & Connectors #E13393	Receptacles #E13399 #LR-406 #057



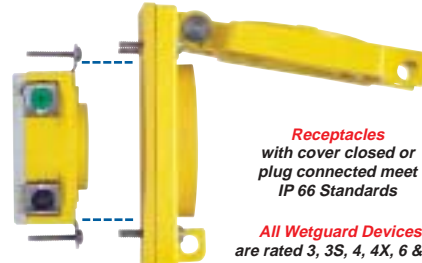
**Wetguard Products** Are Engineered to Meet or Exceed UL and IEC Watertight Standards



28W83



29W83



69W83

**Plugs & Connectors** mated or with closure caps meet IP66 & IP67 Standards

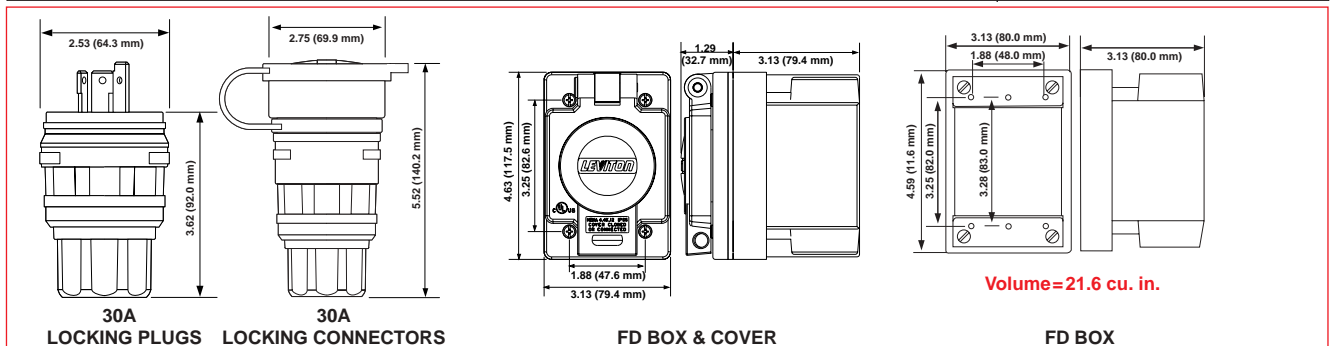
**Receptacles** with cover closed or plug connected meet IP 66 Standards

**All Wetguard Devices** are rated 3, 3S, 4, 4X, 6 & 6P

TYPE-EPTR	PLUG	NEMA PLUG	CONNECTOR w/ CLOSURE CAP	RECEPTACLE, CORROSION RESISTANT COVER & GASKET	RECEPTACLE	NEMA RECEPTACLE
<b>30A 3ø 600V, 3-P 4-W, Grounding</b>						
Yellow EPTR	28W77	L17-30P	29W77	69W77*	2740*	L17-30R
<b>30A 125/250V, Non-NEMA, 3-P 3-W, Non-Grounding, Non UL Listed - for Replacement Use Only</b>						
Yellow EPTR	28W08	Non-NEMA	29W08	69W08*	3330*	Non-NEMA
<b>30A 3øY 120/208V, Non-NEMA, 4-P 4-W, Non-Grounding, Non UL Listed - for Replacement Use Only</b>						
Yellow EPTR	28W09	Non-NEMA	29W09	69W09*	3430*	Non-NEMA
<b>30A 3øY 120/208V, 4-P 5-W, Grounding</b>						
Yellow EPTR	28W81	L21-30P	29W81	69W81*	2810*	L21-30R
<b>30A 3øY 277/480V, 4-P 5-W, Grounding</b>						
Yellow EPTR	28W82	L22-30P	29W82	69W82*	2820*	L22-30R
<b>30A 3øY 347/600V, 4-P 5-W, Grounding</b>						
Yellow EPTR	28W83	L23-30P	29W83	69W83*	2830*	L23-30R

\* Non-corrosion resistant receptacle

CONNECTOR CAPS For Black Caps, Add Suffix -B	PLUG CAPS For Black Caps, Add Suffix -B	COVER w/ GASKET For Black Covers, Add Suffix -B	BLANK PLATE w/ GASKET	FD BOX GLASS-FILLED POLYESTER (2 KO Openings)																														
<table border="1"> <tr><td><b>Yellow</b></td></tr> <tr><td>15/20A Str. Blade &amp; 15A Locking</td></tr> <tr><td>50W50</td></tr> <tr><td>20A Locking</td></tr> <tr><td>50W52</td></tr> <tr><td>30A Locking</td></tr> <tr><td>50W54</td></tr> </table>	<b>Yellow</b>	15/20A Str. Blade & 15A Locking	50W50	20A Locking	50W52	30A Locking	50W54	<table border="1"> <tr><td><b>Yellow</b></td></tr> <tr><td>15/20A Str. Blade &amp; 15A Locking</td></tr> <tr><td>14W</td></tr> <tr><td>20A Locking</td></tr> <tr><td>26W</td></tr> <tr><td>30A Locking</td></tr> <tr><td>28W</td></tr> </table>	<b>Yellow</b>	15/20A Str. Blade & 15A Locking	14W	20A Locking	26W	30A Locking	28W	<table border="1"> <tr><td><b>Yellow</b></td></tr> <tr><td>15/20A Str. Blade &amp; 15A Locking</td></tr> <tr><td>60W03</td></tr> <tr><td>20A Locking</td></tr> <tr><td>60W04</td></tr> <tr><td>30A Locking</td></tr> <tr><td>60W05</td></tr> </table>	<b>Yellow</b>	15/20A Str. Blade & 15A Locking	60W03	20A Locking	60W04	30A Locking	60W05	<table border="1"> <tr><td><b>Yellow</b></td></tr> <tr><td>WP459</td></tr> </table>	<b>Yellow</b>	WP459	<table border="1"> <tr><td><b>Yellow</b></td></tr> <tr><td>1/2"</td></tr> <tr><td>452CR</td></tr> <tr><td>3/4"</td></tr> <tr><td>453CR</td></tr> <tr><td>1"</td></tr> <tr><td>454CR</td></tr> </table>	<b>Yellow</b>	1/2"	452CR	3/4"	453CR	1"	454CR
<b>Yellow</b>																																		
15/20A Str. Blade & 15A Locking																																		
50W50																																		
20A Locking																																		
50W52																																		
30A Locking																																		
50W54																																		
<b>Yellow</b>																																		
15/20A Str. Blade & 15A Locking																																		
14W																																		
20A Locking																																		
26W																																		
30A Locking																																		
28W																																		
<b>Yellow</b>																																		
15/20A Str. Blade & 15A Locking																																		
60W03																																		
20A Locking																																		
60W04																																		
30A Locking																																		
60W05																																		
<b>Yellow</b>																																		
WP459																																		
<b>Yellow</b>																																		
1/2"																																		
452CR																																		
3/4"																																		
453CR																																		
1"																																		
454CR																																		



Wetguard® Watertight Locking Plugs, Connectors & Receptacles



# Cord Sets



## Industrial Grade, Straight Blade & Locking

10 YEAR LIMITED  
WARRANTY

Wetguard® Cord Sets and Watertight Testing Standards

SPECIFICATIONS & FEATURES	
GENERAL	
<ul style="list-style-type: none"> <li>Sunlight, water and weather resistant per UL and CSA</li> <li>Resistant to oil, acid, impact, abrasion, water, flame and high temperature</li> <li>Passes MSHA flame test (P-136-MSHA)</li> <li>Maintains flexibility</li> <li>Suitable for continuous submersion in water</li> <li>Designed for extra hard usage with industrial equipment</li> <li>Synthetic rubber insulation</li> <li>SOOW can also be used for special applications as outlined in NFPA 70 (N.E.C.) paragraph 501.4(b) CL.1 Div. 2 locations and paragraph 501.11 CL.1 Div. 2. Green grounding conductor required.</li> <li>ICEA where applicable</li> </ul>	

MECHANICAL	
COLOR CODING	CONDUCTORS
3 Conductor Black White Green	Bare, annealed copper per ASTM B-3 Flexible, bunch-stranded per UL-62 sizes 18-8 AWG Rope Lay sizes 6-2AWG
JACKET	TEMPERATURE RANGE
Oil resistant Thermoset	-40°C to 90°C

STANDARDS & CERTIFICATIONS		
OSHA ACCEPTABLE	UL Listed	CSA
	#E7362	#LL-8825



Engineered to IP 67  
Watertight Standards



W515-43A  
SOOW 90° C (600V)

### Straight Blade Cord Sets

LENGTH	14/3 SOOW YELLOW CORD YELLOW DEVICES	12/3 SOOW YELLOW CORD YELLOW DEVICES	NEMA PLUG	NEMA CONNECTOR
15A 125V, 2-P 3-W, Straight Blade, Grounding				
25'	W515-43A	—		
50'	W515-43B	—		
100'	W515-43C	—		
25'	—	W515-23A	5-15P	5-15R
50'	—	W515-23B		
100'	—	W515-23C		

### Locking Cord Sets

LENGTH	14/3 SOOW YELLOW CORD YELLOW DEVICES	12/3 SOOW YELLOW CORD YELLOW DEVICES	NEMA PLUG	NEMA CONNECTOR
15A 125V, 2-P 3-W, Locking, Grounding				
25'	WL515-43A	—		
50'	WL515-43B	—		
100'	WL515-43C	—		
25'	—	WL515-23A	L5-15P	L5-15R
50'	—	WL515-23B		
100'	—	WL515-23C		

## Testing Standards

### About PSI Ratings

PSI is an abbreviation for pounds per square inch. With respect to water washdowns in processing plants and industrial marinas, a PSI value should specify the distance from the nozzle at which the value was taken. Consider the following situation: 1,000 psi measured 2 inches from the plug/connector or 2 ft. from the plug/connector will deliver dramatically different forces.



*Leviton Wetguard devices are tested and exceed IEC and UL watertight standards. These independent tests have defined parameters as noted below:*

### IEC IP Water Penetration Test:

Water is sprayed from a distance of 3 meters and at a rate of 100 liter/minute on a joined plug and connector using a 12.5mm diameter nozzle. The water spray is directed at the connector/plug joint and cable entries.



**Result:** Wetguard Plugs and Connectors are rated to IP67 when connected.

### UL NEMA Water Penetration Test:

Water is sprayed from a distance of 12 ft. and at a rate of 65 gallons/minute on a joined plug and connector using a 1 inch diameter nozzle. The water spray is directed at the connector/plug joint and cable entries.

**Result:** Wetguard Plugs and Connectors are rated to NEMA 4X, 6, and 6P when connected.



## Enclosure Type Designations

Enclosures serve the dual purpose of protecting personnel from incidental contact with the enclosed electrical equipment and protecting the enclosed equipment against specified environmental conditions. Enclosures are rated for use in specific environmental conditions by NEMA, UL, CSA and the IEC. The major rating systems used are the NEMA Type Numbers and the IEC Enclosure Classification Designation.

### The IEC Enclosure Classification Designation — IP Suitability Ratings

The IP Suitability Ratings are a system for classifying the degree of protection provided by enclosures of electrical equipment. The higher the number in the rating, the greater the degree of protection provided by the enclosure. Note that the rating will ONLY apply to properly installed equipment. The chart below defines the numerals in the IP Code.

1. The First Numeral indicates the degree of protection for persons against access to hazardous parts inside the enclosure and/or against the ingress of solid foreign objects
2. The Second Numeral indicates the degree of protection of equipment inside enclosures against damage from the ingress of water.

### ELEMENTS OF THE IP CODE

Meaning for the Protection of Equipment		
Code Letters	First Number	Second Number
Ingress Protection Against	Ingress of Solid Foreign Objects	Against Ingress of Water with Harmful Effects
IP	<ul style="list-style-type: none"> <li>0 – Non-protected</li> <li>1 – <math>\geq</math> 50 mm diameter</li> <li>2 – <math>\geq</math> 12.5 mm diameter</li> <li>3 – <math>\geq</math> 2.5 mm diameter</li> <li>4 – <math>\geq</math> 1.0 mm</li> <li>5 – Dust-protected</li> <li>6 – Dust-tight</li> <li>–</li> <li>–</li> </ul>	<ul style="list-style-type: none"> <li>0 – Non-protected</li> <li>1 – Vertically dripping</li> <li>2 – Dripping (15 °tilted)</li> <li>3 – Spraying</li> <li>4 – Splashing</li> <li>5 – Jetting</li> <li>6 – Power jetting</li> <li>7 – Temporary immersion</li> <li>8 – Continuous immersion</li> </ul>

The IP Suitability Rating defined by IEC 529 does not specify any degree of protection against mechanical damage of equipment, risk of explosions, or conditions such as moisture (i.e. condensation), corrosive vapors, fungus, or vermin.

**Note:** > denotes greater than or equal to.

**Example:** IP 54 Suitability Rating = Ingress Protection/Dust-protected/Splashing

## NEMA and IEC Enclosure Classifications

### Comparing NEMA Enclosure Classification

#### NEMA

NEMA Standards Publication 250 defines the NEMA Enclosure Type Numbers. Unlike the IEC Enclosure Classification Designations, NEMA Standards Publication 250 does tests for environmental condition such as corrosion, rust, icing, oil and coolants. For this reason and because the tests and evaluations for other characteristics are not identical, the IEC Enclosure Classification Designations cannot be exactly equated with NEMA Enclosure Type Numbers.

The table below provides an equivalent conversion from NEMA Enclosure Type Numbers to IEC Enclosure Classification Designations. Note that the NEMA Types meet or exceed the test requirements for the associated IEC Classifications. Therefore, this table cannot be used to convert from IEC Classifications to NEMA Types.

### Converting NEMA Type Numbers to IEC Classification Designations

(Note: This table cannot be used to convert IEC classification designations to NEMA type numbers)

NEMA Enclosure	Equivalent IEC Enclosure
1	IP10
2	IP11
3	IP54
3R	IP14
3S	IP54
4 and 4X	IP56
5	IP52
6 and 6P	IP67
12 and 12K	IP52
13	IP54

### UL & IEC TEST LISTING

Wetguard devices are tested per environmental condition as specified in UL Standard 50 and IEC 529 IP ratings, while connected or protected by closure covers (connector only).

#### UL Standard 50

Wetguard devices are tested per NEMA 4, 4X, 6 and 6P (and comply with Designation Type 3 and 3S)

**#4** Indoor or Outdoor use primarily to provide a degree of protection against windblown dust and rain, splashing water, and hose directed water (1" Nozzle, 65 gallons per minute at a distance of 10-12 ft., for 5 minutes.)

**#4x** Same as #4, in addition to provide a degree of protection against corrosion: 200 hour salt fog spray

**#6** Indoor or Outdoor use primarily to provide a degree of protection against hose directed water, the entry of water during occasional temporary submersion at limited depth (submersion duration to be 30 minutes at a depth of 6 ft.).

**#6P** Same as #6 except: submersion duration to be 24 hours.

### UL 50 NEMA Enclosure Types (Partial List)

Type	Description
<b>Type 4</b>	Indoor or outdoor use primarily to provide a degree of protection against windblown dust and rain, splashing water, hose-directed water, and damage from external ice formation.
<b>Type 4X</b>	Indoor or outdoor use primarily to provide a degree of protection against corrosion, windblown dust and rain, splashing water, hose-directed water and damage from external ice formation.
<b>Type 6</b>	Indoor or outdoor use primarily to provide a degree of protection against hose-directed water, the entry of water during occasional temporary submersion at a limited depth, and damage from external ice formation.
<b>Type 6P</b>	Indoor or outdoor use primarily to provide a degree of protection against hose-directed water, the entry of water during prolonged submersion at a limited depth, and damage from external ice formation.



For the complete line of industrial wiring devices, request catalog # 010-MKIND-000.



Leviton Manufacturing Co., Inc.  
59-25 Little Neck Parkway, Little Neck, NY 11362-2591  
Telephone: 1-800-323-8920 • FAX: 1-800-832-9538  
Tech Line (8:00AM-7:30PM E.S.T. Monday-Friday): 1-800-824-3005

Leviton Manufacturing of Canada, Ltd.  
165 Hymus Boulevard, Pointe Claire, Quebec H9R 1E9  
Telephone: 1-800-469-7890 • FAX: 1-800-563-1853

Leviton S.A. de C.V.  
General Arista 54-A Col. Argentina, Mexico D.F., C.P. 11270  
Telephone: 011-525-386-1131, 011-525-386-2052 • FAX: 011-525-386-1797

Visit us on the web at: [www.leviton.com](http://www.leviton.com)

© Copyright 2004 Leviton Manufacturing Co., Inc. All rights reserved.  
B-1032/D4-7.5M sa

