

# Panasonic

ideas for life

## Super Dynamic III <sup>PLUS</sup> Colour Surveillance Cameras WV-CP480 Series

Lens : optional



### SDIII <sup>PLUS</sup> Super Dynamic

## Now with Auto Back Focus, for Perfect Focus 24 Hours a Day

Panasonic introduces the new WV-CP480 Series *Super Dynamic III <sup>PLUS</sup>* cameras, equipped with Auto Back Focus (ABF). When these cameras switch from colour to B/W mode, the cameras automatically make micron-order adjustments in CCD position to achieve precise back focus. The new Auto Back Focus (ABF) technology ensures delivery of clear, sharp, perfectly focused images 24-hours a day, automatically.

The new Pixel Based 160x Dynamic Range Correction adjusts automatically to moment-to-moment changes in contrast, making it possible to view subjects accurately in all areas and positions, thanks to area free natural contrast image correction.

Horizontal resolution of 540 lines (typical) in colour mode, and 570 lines in B/W mode, a dramatic improvement in colour reproduction. With the optional F1.2 lens, clear images can be captured in lighting as low as 0.5 lux for colour or 0.06 lux for B/W. Adaptive Digital Noise Reduction eliminates streaking in darker images.

Additional intelligent features include Auto Image Stabilizer to eliminate blurring and Scene Change Detection to warn of attempts to interfere with cameras.

The new WV-CP480 Series is ideal for a wide range of applications, offering 24-hour surveillance with imaging that delivers unprecedented, true-to-life realism.

### KEY FEATURES

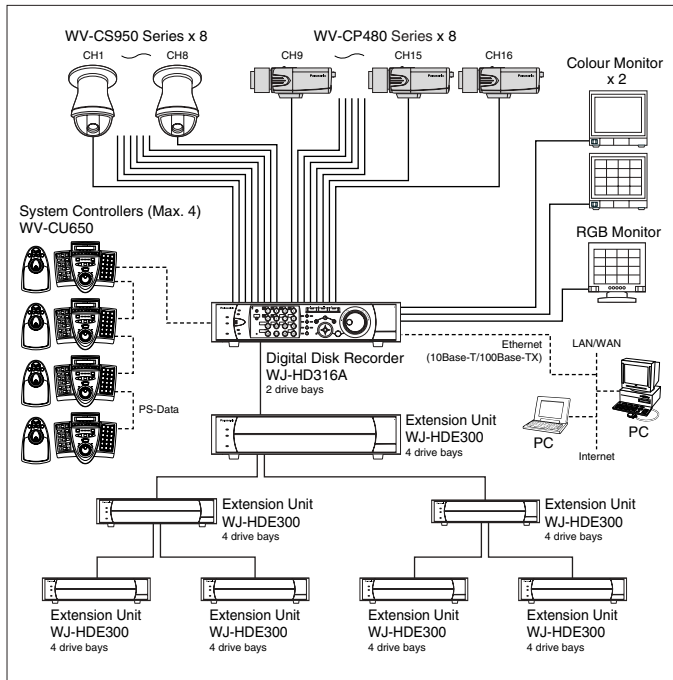
- 1/3-type double speed CCD colour image sensor.
- The new Pixel Based 160x Dynamic Range with area free natural contrast image correction adjusts moment-to-moment changes in contrast to view subjects accurately in all areas and positions.
- Switches from selected colour mode to B/W mode, automatically or manually.
- Higher horizontal resolution of 540-line (typical) at colour mode, and 570-line at B/W mode.

- Minimum illumination :
  - 0.5 lux at colour mode, 0.06 lux at B/W mode, at F1.2 optional lens
  - 0.6 lux at colour mode, 0.08 lux at B/W mode, at F1.4 optional lens
- Innovative intelligent features :
  - \*Auto Back Focus (ABF) adjustment function, for easy focus at installation and remote focus fine tuning (up-the-coax or via network by WJ-HD300 Series) after installation.
  - \*Auto image stabilizer function for applications where vibration or wind is a concern, e.g. passing vehicles.
  - \*Scene change detection alarms when lens is covered, spray painted, removed, defocus or camera angle is changed.
- Signal to noise ratio of 50dB.
- Digital motion detector.
- Menu setup can be displayed in 8 (eight) languages: English, German, French, Spanish, Italian, Russian, Chinese and Japanese.
- 16-alphanumeric character display.
- Electronic shutter from 1/50 (off) to 1/10,000 sec.
- Electronic sensitivity enhancement (auto/manual/off).
- Digital signal processing LSI's for high quality picture:
  - 2H vertical enhancement, chroma averaging circuit, minimum of aliasing, knee circuit, and highlight aperture correction.
- Gen-lock capability for the large system application.
- VD2 sync capability with Panasonic system products.
- Remote control function with single coaxial cable (WV-CP480/WV-CP484) or RS-485 terminal (WV-CPR480/WV-CPR484).
- Accepts both 24V AC or 12V DC power source (WV-CP484/WV-CPR484 models).

### 1/3-type Variable Focal Lenses (optional)



## SYSTEM EXAMPLE



## SPECIFICATIONS PAL CCIR

Model No.	WV-CP480	WV-CP484	WV-CPR480	WV-CPR484
<b>Pick-up Device</b>	752 (H) x 582 (V) pixels, interline transfer CCD			
<b>Scanning Area</b>	4.8 (H) x 3.6 (V) mm (Equivalent to scanning area of 1/3" pick-up tube)			
<b>Scanning</b>	625 lines/50 fields/25 frames			
<b>Horizontal</b>	15.625 kHz			
<b>Vertical</b>	50 Hz			
<b>Synchronization</b>	Multiplexed vertical drive (VD2), Line-locked, VBS/VS, or Internal			
<b>GEN LOCK Input</b>	VBS/VS 1.0 V [p-p] composite 75 Ω / BNC connector			
<b>Video Output</b>	1.0 V [p-p] PAL/CCIR composite 75 Ω / BNC connector			
<b>Horizontal Resolution</b>	540 lines (in Colour, Typical), 520 lines min. (in Colour, at High), 480 lines (in Colour, Normal), 570 lines (in B/W)			
<b>Signal-to-Noise Ratio</b>	50 dB (Equivalent to AGC Off, weight On)			
<b>Dynamic Range</b>	52 dB typical			
<b>Minimum Illumination</b>	0.5 lux at F1.2 (in Colour), 0.6 lux at F1.4 (in Colour), 0.06 lux at F1.2 (in B/W), 0.08 lux at F1.4 (in B/W)			
<b>Lens Mount</b>	CS-mount			
<b>Major Items on Menu Setup</b>				
<b>Language</b>	English, French, German, Spanish, Italian, Russian, Chinese, or Japanese			
<b>Camera ID</b>	Up to 16 characters			
<b>Light Control</b>	ALC/ELC			
<b>Super Dynamic III PLUS</b>	ON or OFF			
<b>Electronic Shutter Speed</b>	1/50(OFF), 1/120, 1/250, 1/500, 1/1,000, 1/2,000, 1/4,000, 1/10,000 s			
<b>Gain Control</b>	ON (HIGH), ON (MID), ON (LOW), or OFF			
<b>Sensitivity Enhancement</b>	OFF, x2AUTO, x4AUTO, x6AUTO, x10AUTO, x2FIX, x4FIX, x6FIX, x10FIX, x16FIX, x32FIX			
<b>White Balance</b>	ATW1, ATW2 or AWC			
<b>Motion Detection</b>	ON (Mode1/Mode2) / OFF			
<b>Digital Noise Reduction</b>	High or Low			
<b>Resolution</b>	Normal or High			
<b>Black-and-White Mode</b>	AUTO1, AUTO2, EXT, ON, or OFF			
<b>Privacy Zone</b>	ON (On1/On2) / OFF			
<b>Mirror</b>	ON or OFF			
<b>ALC Lens Drive</b>	DC or Video			
<b>Camera-Shake Compensation</b>	ON or OFF			
<b>Back Focus Adjustment</b>	Auto Back Focus, MANUAL, AUTO/PRESET/FIX			
<b>Special</b>	Chroma, Aperture, Pedestal adjustable			
<b>Communication</b>	Single wire		RS-485	
<b>Ambient Operating Temperature</b>	-10 °C ~ +50 °C			
<b>Ambient Operating Humidity</b>	Less than 90 %			
<b>Power Source and Power Consumption</b>	220 V - 240 V 50 Hz, 4.6 W	24 V AC 50 Hz, 4.7 W 12 V DC, 420 mA	220 V - 240 V 50 Hz, 5.1 W	24 V AC 50 Hz, 5.1 W 12 V DC, 460 mA
<b>Dimensions (without lens) (W x H x D)</b>	70 x 65 x 129 mm	67 x 65 x 100 mm	70 x 65 x 129 mm	
<b>Weights (without lens)</b>	520 g (without power cord)	400 g	540 g (without power cord)	520 g

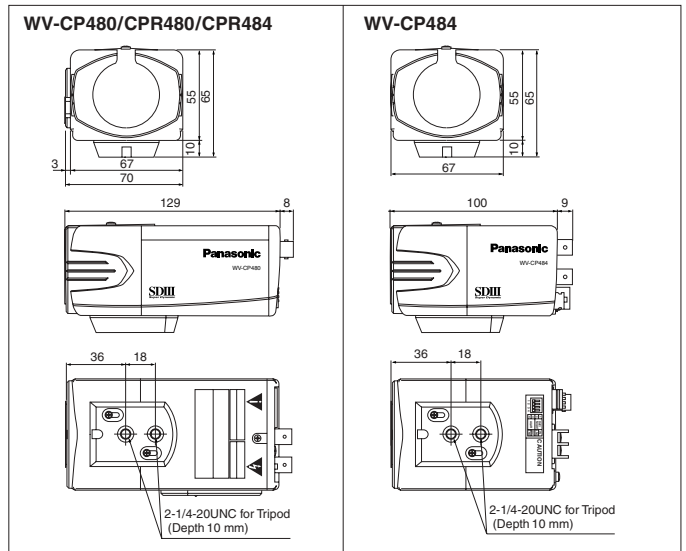
**Important** – Safety Precaution: carefully read the operating instructions and installation manual before using this product.  
 • Weights and dimensions are approximate. • Specifications are subject to change without notice. • These products may be subject to export control regulations.

## DISTRIBUTED BY:

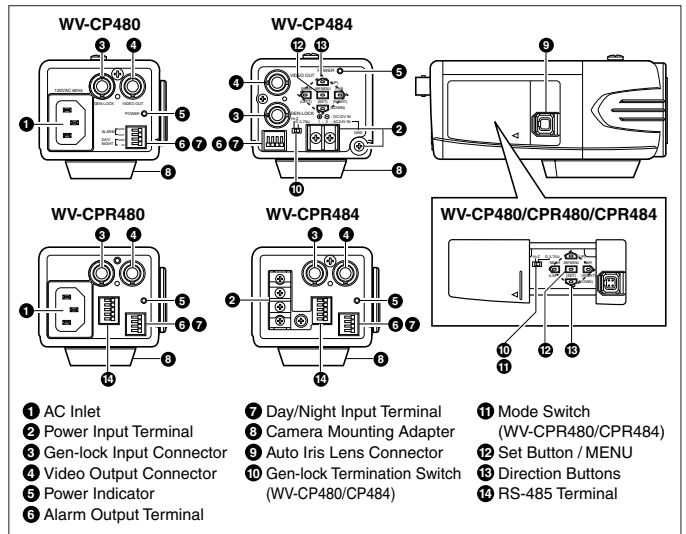


## APPEARANCE

Unit : mm



## MAJOR OPERATING CONTROLS & TERMINALS



## OPTIONAL COMPONENTS

DIGITAL DISK RECORDERS	SYSTEM CONTROLLERS
<b>WJ-HD316A</b> (with 16ch Multiplexer) <b>WJ-HD309A</b> (with 9ch Multiplexer)	<b>WV-CU650</b> <b>WV-CU360CJ</b>
<b>PS-Data</b>	<b>PS-Data</b>
MATRIX SYSTEMS	COLOUR MONITORS
<b>SYSTEM850</b> <b>SYSTEM500</b> <b>SYSTEM150</b>	<b>WV-CM2080</b> 55cm CRT <b>PS-Data</b> <b>WV-CM1780</b> 45cm CRT <b>PS-Data</b> <b>WV-CM1480</b> 40cm CRT <b>PS-Data</b> <b>WV-CM1420</b> 37cm CRT <b>WV-CM1020</b> 25cm CRT

# Panasonic

Panasonic is the brandname of Matsushita Electric.  
 Printed in Japan  
 WV-JKCP480T(2N-738)