

Panasonic
ideas for life

Super Dynamic III ^{PLUS}
Colour Surveillance Cameras
WV-CP480 Series

Lens : optional



SDIII ^{PLUS}
Super Dynamic

Now with Auto Back Focus, for Perfect Focus 24 Hours a Day

Panasonic introduces the new WV-CP480 Series *Super Dynamic III* ^{PLUS} cameras, equipped with Auto Back Focus (ABF). When these cameras switch from colour to B/W mode, the cameras automatically make micron-order adjustments in CCD position to achieve precise back focus. The new Auto Back Focus (ABF) technology ensures delivery of clear, sharp, perfectly focused images 24-hours a day, automatically.

The new Pixel Based 160x Dynamic Range Correction adjusts automatically to moment-to-moment changes in contrast, making it possible to view subjects accurately in all areas and positions, thanks to area free natural contrast image correction.

Horizontal resolution of 540 lines (typical) in colour mode, and 570 lines in B/W mode, a dramatic improvement in colour reproduction. With the optional F1.2 lens, clear images can be captured in lighting as low as 0.5 lux for colour or 0.06 lux for B/W. Adaptive Digital Noise Reduction eliminates streaking in darker images.

Additional intelligent features include Auto Image Stabilizer to eliminate blurring and Scene Change Detection to warn of attempts to interfere with cameras.

The new WV-CP480 Series is ideal for a wide range of applications, offering 24-hour surveillance with imaging that delivers unprecedented, true-to-life realism.

KEY FEATURES

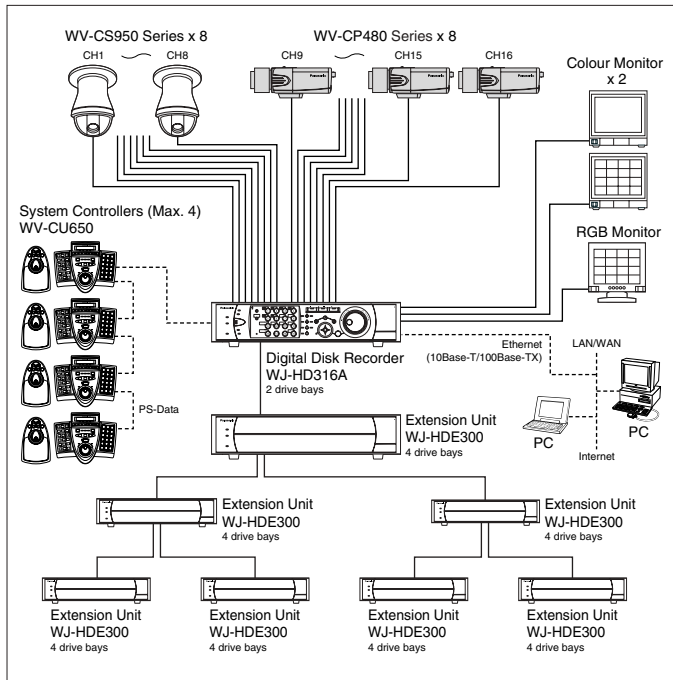
- 1/3-type double speed CCD colour image sensor.
- The new Pixel Based 160x Dynamic Range with area free natural contrast image correction adjusts moment-to-moment changes in contrast to view subjects accurately in all areas and positions.
- Switches from selected colour mode to B/W mode, automatically or manually.
- Higher horizontal resolution of 540-line (typical) at colour mode, and 570-line at B/W mode.

- Minimum illumination :
 - 0.5 lux at colour mode, 0.06 lux at B/W mode, at F1.2 optional lens
 - 0.6 lux at colour mode, 0.08 lux at B/W mode, at F1.4 optional lens
- Innovative intelligent features :
 - *Auto Back Focus (ABF) adjustment function, for easy focus at installation and remote focus fine tuning (up-the-coax or via network by WJ-HD300 Series) after installation.
 - *Auto image stabilizer function for applications where vibration or wind is a concern, e.g. passing vehicles.
 - *Scene change detection alarms when lens is covered, spray painted, removed, defocus or camera angle is changed.
- Signal to noise ratio of 50dB.
- Digital motion detector.
- Menu setup can be displayed in 8 (eight) languages: English, German, French, Spanish, Italian, Russian, Chinese and Japanese.
- 16-alphanumeric character display.
- Electronic shutter from 1/50 (off) to 1/10,000 sec.
- Electronic sensitivity enhancement (auto/manual/off).
- Digital signal processing LSI's for high quality picture:
 - 2H vertical enhancement, chroma averaging circuit, minimum of aliasing, knee circuit, and highlight aperture correction.
- Gen-lock capability for the large system application.
- VD2 sync capability with Panasonic system products.
- Remote control function with single coaxial cable (WV-CP480/WV-CP484) or RS-485 terminal (WV-CPR480/WV-CPR484).
- Accepts both 24V AC or 12V DC power source (WV-CP484/WV-CPR484 models).

1/3-type Variable Focal Lenses (optional)



SYSTEM EXAMPLE

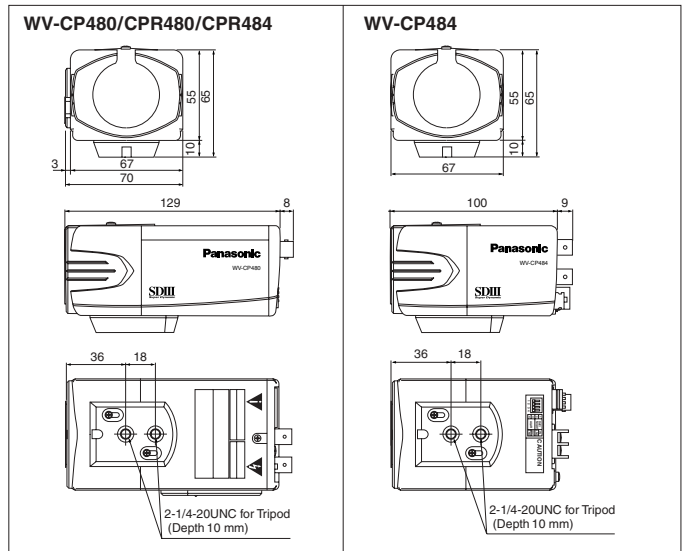


SPECIFICATIONS PAL CCIR

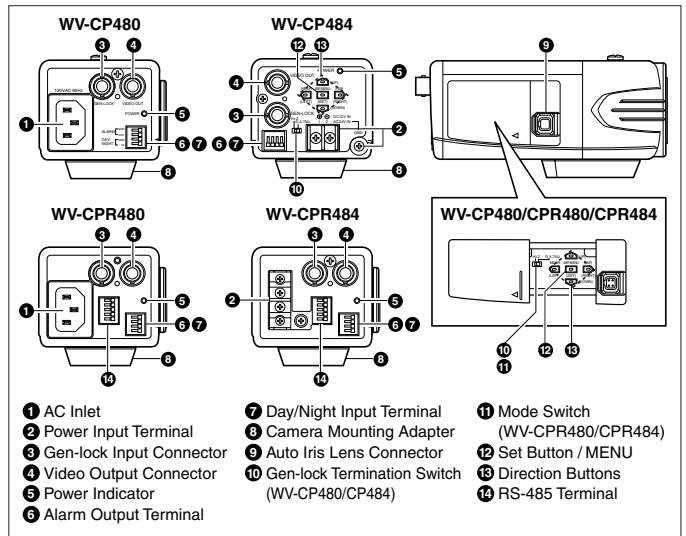
Model No.	WV-CP480	WV-CP484	WV-CPR480	WV-CPR484
Pick-up Device	752 (H) x 582 (V) pixels, interline transfer CCD			
Scanning Area	4.8 (H) x 3.6 (V) mm (Equivalent to scanning area of 1/3" pick-up tube)			
Scanning	625 lines/50 fields/25 frames			
Horizontal	15.625 kHz			
Vertical	50 Hz			
Synchronization	Multiplexed vertical drive (VD2), Line-locked, VBS/VS, or Internal			
GEN LOCK input	VBS/VS 1.0 V [p-p] composite 75 Ω / BNC connector			
Video Output	1.0 V [p-p] PAL/CCIR composite 75 Ω / BNC connector			
Horizontal Resolution	540 lines (in Colour, Typical), 520 lines min. (in Colour, at High), 480 lines (in Colour, Normal), 570 lines (in B/W)			
Signal-to-Noise Ratio	50 dB (Equivalent to AGC Off, weight On)			
Dynamic Range	52 dB typical			
Minimum Illumination	0.5 lux at F1.2 (in Colour), 0.6 lux at F1.4 (in Colour), 0.06 lux at F1.2 (in B/W), 0.08 lux at F1.4 (in B/W)			
Lens Mount	CS-mount			
Major Items on Menu Setup				
Language	English, French, German, Spanish, Italian, Russian, Chinese, or Japanese			
Camera ID	Up to 16 characters			
Light Control	ALC/ELC			
Super Dynamic III PLUS	ON or OFF			
Electronic Shutter Speed	1/50(OFF), 1/120, 1/250, 1/500, 1/1,000, 1/2,000, 1/4,000, 1/10,000 s			
Gain Control	ON (HIGH), ON (MID), ON (LOW), or OFF			
Sensitivity Enhancement	OFF, x2AUTO, x4AUTO, x6AUTO, x10AUTO, x2FIX, x4FIX, x6FIX, x10FIX, x16FIX, x32FIX			
White Balance	ATW1, ATW2 or AWC			
Motion Detection	ON (Mode1/Mode2) / OFF			
Digital Noise Reduction	High or Low			
Resolution	Normal or High			
Black-and-White Mode	AUTO1, AUTO2, EXT, ON, or OFF			
Privacy Zone	ON (On1/On2) / OFF			
Mirror	ON or OFF			
ALC Lens Drive	DC or Video			
Camera-Shake Compensation	ON or OFF			
Back Focus Adjustment	Auto Back Focus, MANUAL, AUTO/PRESET/FIX			
Special	Chroma, Aperture, Pedestal adjustable			
Communication	Single wire		RS-485	
Ambient Operating Temperature	-10 °C ~ +50 °C			
Ambient Operating Humidity	Less than 90 %			
Power Source and Power Consumption	220 V - 240 V 50 Hz, 4.6 W	24 V AC 50 Hz, 4.7 W 12 V DC, 420 mA	220 V - 240 V 50 Hz, 5.1 W	24 V AC 50 Hz, 5.1 W 12 V DC, 460 mA
Dimensions (without lens) (W x H x D)	70 x 65 x 129 mm	67 x 65 x 100 mm	70 x 65 x 129 mm	
Weights (without lens)	520 g (without power cord)	400 g	540 g (without power cord)	520 g

APPEARANCE

Unit : mm



MAJOR OPERATING CONTROLS & TERMINALS



OPTIONAL COMPONENTS

DIGITAL DISK RECORDERS

WJ-HD316A (with 16ch Multiplexer)
WJ-HD309A (with 9ch Multiplexer)



PS-Data

SYSTEM CONTROLLERS

WV-CU650
WV-CU360CJ



PS-Data

MATRIX SYSTEMS

SYSTEM850
SYSTEM500
SYSTEM150



COLOUR MONITORS

WV-CM2080 55cm CRT PS-Data
WV-CM1780 45cm CRT PS-Data
WV-CM1480 40cm CRT PS-Data
WV-CM1420 37cm CRT
WV-CM1020 25cm CRT



Important – Safety Precaution: carefully read the operating instructions and installation manual before using this product.

• Weights and dimensions are approximate. • Specifications are subject to change without notice. • These products may be subject to export control regulations.

DISTRIBUTED BY:



Panasonic

Panasonic is the brandname of Matsushita Electric.
Printed in Japan
WV-JKCP480T(2N-738)