

LEVEL CONTROLS

Buffer/Expander/Volume Control

BUFEX

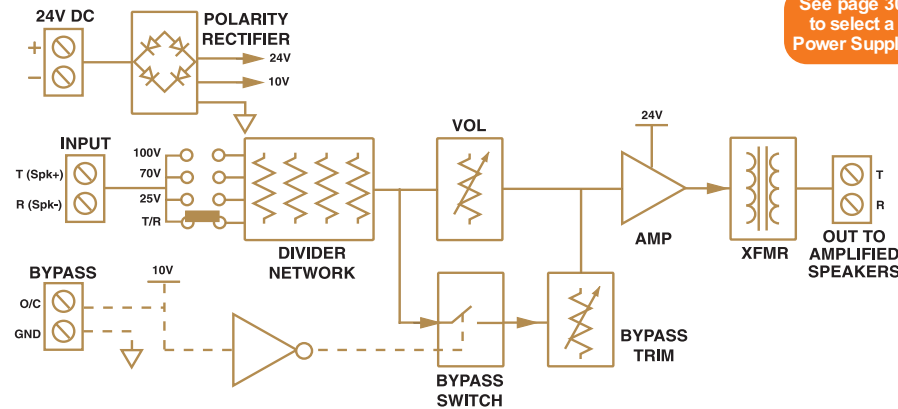
Used with 24V systems, the **BUFEX** is a multi-purpose device that can work as a volume control for a network of speakers, and as a buffer that can drive up to 150 speakers. It also functions as a system expander when connecting to 100V, 70V, and 25V speaker systems.

To address the needs of emergency announcements, the BUFEX has a Bypass feature that allows emergency announcements to be heard at high levels regardless of the volume setting on the BUFEX. The BUFEX contains a Bypass Trim feature that allows some adjustment to the Bypass level.



Product Features:

- Local volume control for a group of speakers
- Provides buffering for up to 150 self-amplified speakers
- Allows self-amplified speakers to work with 100V/70V/25V systems, expanding existing systems
- Continuously variable attenuator
- Rugged and attractive stainless steel wall plate with engraved lettering
- Mounts in single gang wall box
- Easy and secure terminal strip connections
- Jumper selectable 100V, 70V, or 25V speaker selections as well as T/R
- Bypass feature overrides local volume setting for high importance messages
- Bypass trim allows a maximum 12 dB attenuation over bypass announcements



See page 30 to select a Power Supply.

Bypass Feature

Local volume controls allow people working in an area to control the level of paging and background music for their needs. However, in paging systems where alert announcements are made as well as general announcements, local volume controls can be a problem. When users set volume controls for very low levels or off, the alert announcements may not be heard.

When the BUFEX's Bypass feature is activated (by an external contact closure), it overrides the local level setting of the BUFEX and allows important messages to be heard.

In certain circumstances, full level audio messages may be overpowering. The BUFEX includes a Bypass Trim that allows a maximum 12 dB of attenuation to the alert message when the local level is set to 0. As the local level is increased, the Bypass Trim will track this and increase the alert message level proportionally.

Dimensions	Product Weight
2-7/8" W x 4-5/8" H x 2-1/2" D	3 oz.

Signal Level Control

SLC

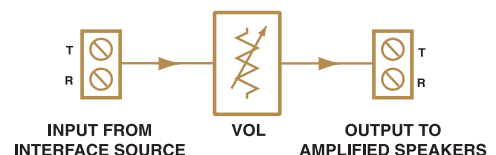
The **SLC** provides a simple and cost effective way to remotely control the volume level of a network of up to 150 speakers. Simply wire in series with the audio feed to the desired group of amplified speakers. For 24V systems.

Product Features:

- Continuously variable attenuator
- Rugged and attractive stainless steel wall plate with engraved lettering
- Mounts in single gang wall box
- Easy and secure terminal strip connections
- Passive (requires no DC power)



Dimensions	Product Weight
2-7/8" W x 4-5/8" H x 2" D	2 oz.



Switch-Mode Power Supplies

The SPS versions of power supplies use switching technology to provide large current capacities in very small packages. Unlike more conventional linear power supplies that use large and heavy transformers, switching supplies gate energy directly to the storage caps at the power supply output. This is a highly efficient way to convert voltages and because of this the power supplies generate very little heat.

Mounting Holsters

Most wall-mounted SPS versions of power supplies come with special mounting holsters for easy and secure wall mounting. The holsters are fastened to the wall and then the power supply is slipped in. A broad spring tang ensures the power supply remains snug in the holster. A side-mounted PCB provides a means of breaking out the power supply's cable connector into multiple screw terminals. The screw terminals are also pluggable for added ease of installation.

POWER SUPPLIES

24V Switch-Mode and Linear Power Supplies



Actual Products may differ in appearance from those shown here.

Product Features:

- Specially designed for use with 24V Bogen equipment
- Wide range of voltages and current outputs
- UL and C-UL listed

Model	CU	Ratings	Mounting	Connections	Dimensions	Product Weight
SPS2454	+108	24V DC @ 5.40A	Holster	Pluggable Terminal Strip	3-1/2" W x 7-3/4" H x 2" D	3 lb.
SPS2425	+50	24V DC @ 2.50A	Holster	Pluggable Terminal Strip	3" W x 5-3/4" H x 1-3/4" D	2 lb.
SPS2410	+20	24V DC @ 1.00A	Holster	Pluggable Terminal Strip	2-1/2" W x 4-1/4" H x 1-1/4" D	2 lb.
SPS2406	+12	24V DC @ 0.60A	Receptacle	Wires, Barrel-Type	2" W x 3-3/8" H x 1-1/4" D	2 lb.
PRS2403	+6	24V DC @ 0.30A	Receptacle	Wires, Barrel-Type	2-1/4" W x 3-1/4" H x 2" D	1 lb.

Power Supplies



These Power Supplies are designed to supply low voltage DC requirements. Corded or outlet mounted.

Product Features:

- Specially designed for use with Bogen equipment
- Wide range of voltages and current outputs
- UL and C-UL listed

Model	Output	120V AC Input Style	Output Connections	Dimensions	Product Weight
PRS40C	12V DC @ 0.3A	Plug-in	Barrel Connector	2" W x 2-3/8" H x 1-5/8" D	1 lb.
PRS48	48V DC @ 0.1A	Plug-in	Screw Terminals	2-1/2" W x 3" H x 2" D	1 lb.
PCMPS2	12V DC @ 1.5A	Plug-in	Barrel Connector	2-5/8" W x 3-3/8" H x 2-7/8" D	2 lb.