

NOTES:

1. INSTALLATION MUST COMPLY WITH ALL APPLICABLE NATIONAL AND LOCAL CODES.
2. PLEASE REFER TO APC PRODUCT MANUAL FOR DETAILS.
3. ALL DIMENSIONS ARE IN INCHES [MILLIMETERS].
4. WEIGHT OF UNIT IS 23.0 LBS [10.45 kg].

THIS DRAWING AND SPECIFICATIONS HEREIN ARE THE PROPERTY OF AMERICAN POWER CONVERSION AND SHALL NOT BE COPIED, REPRODUCED OR USED IN WHOLE OR IN PART, AS THE BASIS FOR THE MANUFACTURE OR SALE OF ITEMS WITHOUT WRITTEN PERMISSION FROM APC. THIS DRAWING IS BASED UPON LATEST AVAILABLE INFORMATION AND IS SUBJECT TO CHANGE WITHOUT NOTICE.



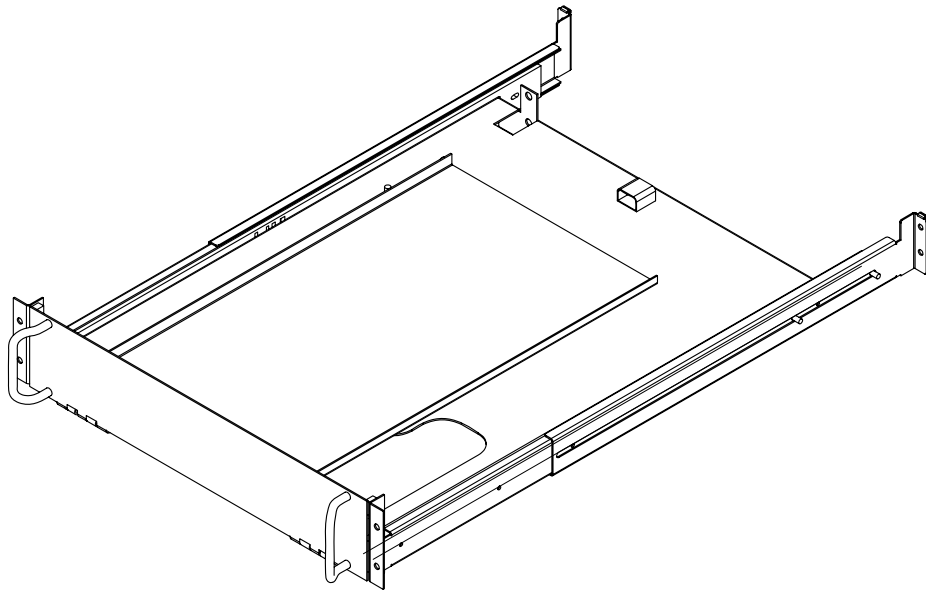
TITLE:  
19" ROTATING KEYBOARD DRAWER BLACK MECHANICAL

PROJECT: SUBMITTAL DRAWINGS SHEET 1 OF 2

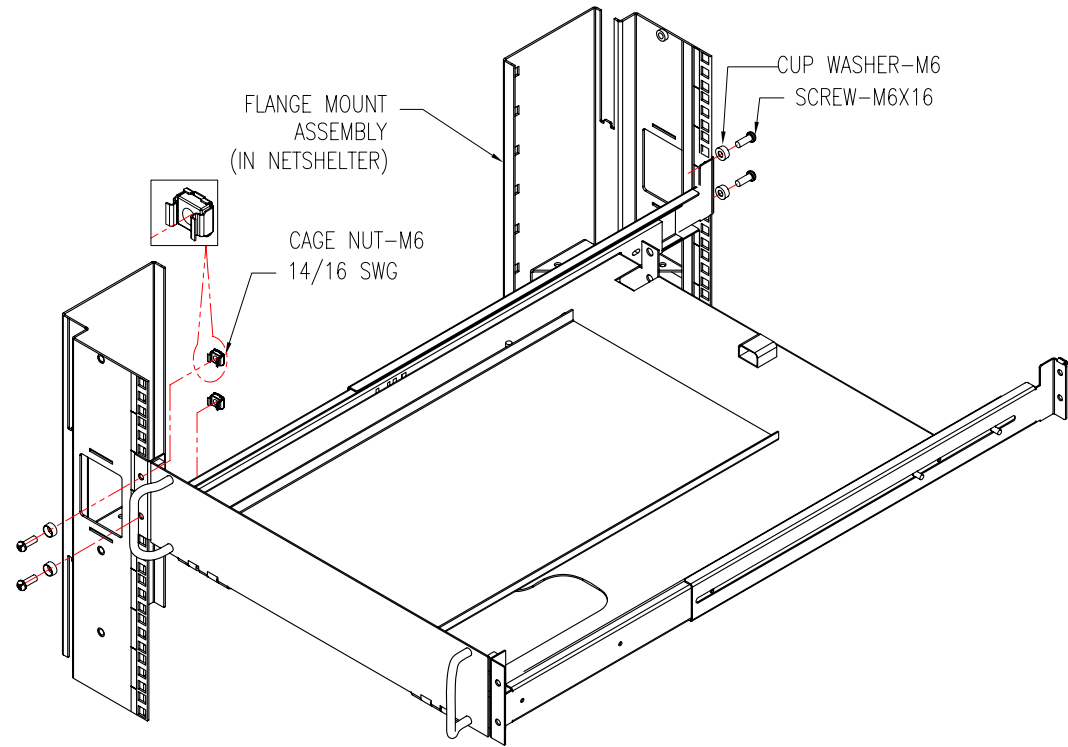
DWG NO: AR8127BLK

DRAWN: K.NAGENDRA	18-FEB-08
ENGINEER: M.UHRHAN/B.OLIVER	18-FEB-08
APPROVED: B.SHERIDAN/E.SILVA/C.LARSEN/S.WACH	18-FEB-08

REV: 0  
ANGLE PROJECTION: N.A.



ISOMETRIC VIEW-ASSEMBLY



ISOMETRIC VIEW-TYPICAL INSTALLATION

FLANGE MOUNT  
ASSEMBLY  
(IN NETSHELTER)

CAGE NUT-M6  
14/16 SWG

CUP WASHER-M6  
SCREW-M6X16

NOTES:

1. INSTALLATION MUST COMPLY WITH ALL APPLICABLE NATIONAL AND LOCAL CODES.
2. PLEASE REFER TO APC PRODUCT MANUAL FOR DETAILS.

THIS DRAWING AND SPECIFICATIONS HEREIN ARE THE PROPERTY OF AMERICAN POWER CONVERSION AND SHALL NOT BE COPIED, REPRODUCED OR USED IN WHOLE OR IN PART, AS THE BASIS FOR THE MANUFACTURE OR SALE OF ITEMS WITHOUT WRITTEN PERMISSION FROM APC. THIS DRAWING IS BASED UPON LATEST AVAILABLE INFORMATION AND IS SUBJECT TO CHANGE WITHOUT NOTICE.



TITLE:  
19" ROTATING KEYBOARD DRAWER BLACK  
ASSEMBLY

DWG NO: AR8127BLK

REV. 0

DRAWN: K.NAGENDRA 18-FEB-08

ANGLE

ENGINEER: M.UHRHAN/B.OLIVER 18-FEB-08

PROJECTION

PROJECT: SUBMITTAL DRAWINGS SHEET 2 OF 2

APPROVED: B.SHERIDAN/E.SILVA/C.LARSEN/S.WACH 18-FEB-08

N.A