

## Porcelain Snap-In Lampholders — Medium Base

### Screw Terminals

DESCRIPTION	CAT. NO.	RATING	OD	OH
1-Piece, Front Mounted. 1/4" Shoulder. Panel Thickness: .025 –.062"	8880	660W 250V	1 11/16	1 1/2
1-Piece, Front Mounted. Shallow Back. Panel Thickness: .030 –.062"	8875	660W 250V	1 11/16	1 11/16

## Porcelain Keyless Lampholders Commercial Units — Medium Base

### Single Circuit Screw Terminals

DESCRIPTION	CAT. NO.	RATING	OD	OH
Straight Body with Cap. Screw Terminals.	10045	660W 250V	1 1/2	2 1/8
Beaded Body for 1 1/2" Clamp Style Shadeholder with Cap. Screw Terminals.	10065	660W 250V	Body 1 1/2 Bead 1 5/8	2 1/8
Adjustable Glass Retaining Ring with Cap and Ring Nut. Screw Terminals.	20070	660W 250V	2 1/4 ringnut	—
Straight Body with Leads. No. 18 AWG 105°C Plastic; 9" Long, Stripped 3/4" with Two 6/32 Mounting Screws	10085	660W 250V	1 1/2	1 11/16

## Porcelain Keyless Fixture Single Circuit — Medium Base

### Screw Terminals

DESCRIPTION	CAT. NO.	RATING	OD	OH
1-Piece, Front Mounted for Fixture or Sign Use. Tapped 8-32 Bushings, Mounting Centers 1 13/16".	9885	660W 600V	1 5/8	1 7/16
2-Piece, Ring Type	9350	660W 250V	1 3/4	1 3/8
1-Piece with Removable Strap★	8871	660W 250V	1 11/16	1 9/16
Fixture Pan Lampholder with 1/8" IPS Hickey	3152-8	660W 250V	1 3/8	1 7/16

### Leads

DESCRIPTION	CAT. NO.	RATING	OD	OH
2-Piece Ring Type with Leads: No. 18 AWG, 105°C Plastic; 9" Long, Stripped 3/4"	8101	660W 250V	1 3/4	1 3/8
Angle Pan with Leads: No. 18 AWG Type AF 150°C Plastic; 9" Long, Stripped 3/4"	18315	660W 250V	—	—
Removable Bracket with Leads	8052-1	660W 250V	1 3/8	1 7/16

### Two-Piece Pull Chain

DESCRIPTION	CAT. NO.	RATING	OD	OH
Ring Type; Screw Terminals; Gasket Furnished★	9814	250W 250V	1 13/16	1 13/16

All devices are UL Listed. Also CSA Certified except where indicated by ★

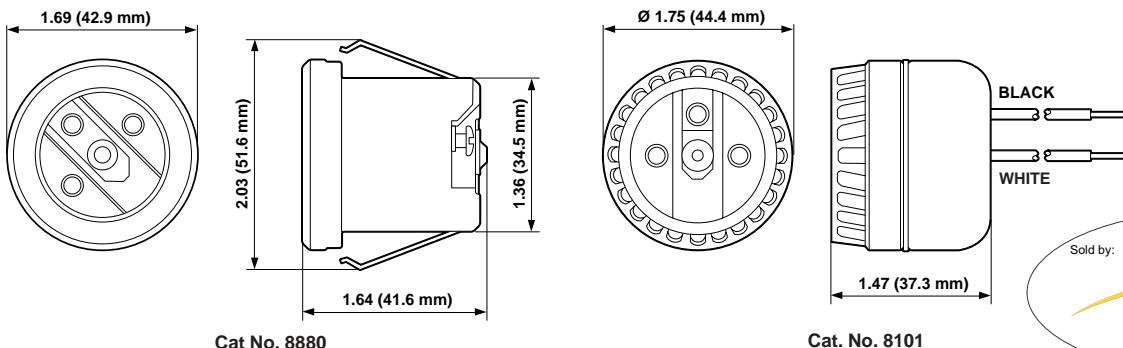


### SPECIFICATIONS & FEATURES

- Suitable for a wide variety of fixtures, signs and displays
- Unglazed base and ring on two-piece lampholders
- Gasket supplied with two-piece ring type rated at 90°C dry maximum

### TESTING & CODE COMPLIANCE

- UL Listed (File #E-3810)
- CSA Certified (File #LR-1863)



Cat No. 8880

Cat. No. 8101

