

## For Medium & Miniature Bi-Pin Lamps — Surface Mount with Leads\*

DESCRIPTION	CAT. NO. WHITE	RATING
Rapid-Start Medium Bi-Pin, 9" leads	395-W	660W 600V
Rapid-Start Medium Bi-Pin, Disconnect (paired with Cat. No. 395-W), 9" leads	389-W	660W 600V
Miniature Bi-Pin for T5 Lamp, 6" leads	420-W	75W 250V

\*Leads are No. 18 AWG, 105°C plastic insulated wire

## For Slimline, Medium Bi-Pin, High Output Lamps — Snap-In with Quickwire

DESCRIPTION	CAT. NO. PLUNGER	CAT. NO. FIXED	RATING
Slimline	516	517	660W 1000V 660W 600V
Medium Bi-Pin	518†	519†	660W 600V 660W 600V
Medium Bi-Pin, Stainless Steel Coverplate & Clip	13518	13519	660W 600V 660W 600V
Medium Bi-Pin, Same as above, with Internal Shunt for Use with Electronic Ballasts	23518	23519	660W 600V 660W 600V
High Output 800mA and 1500mA	523	524	660W 600V 660W 600V

†When existing stock is depleted this item will be DISCONTINUED.  
All devices are UL Listed and CSA Certified.

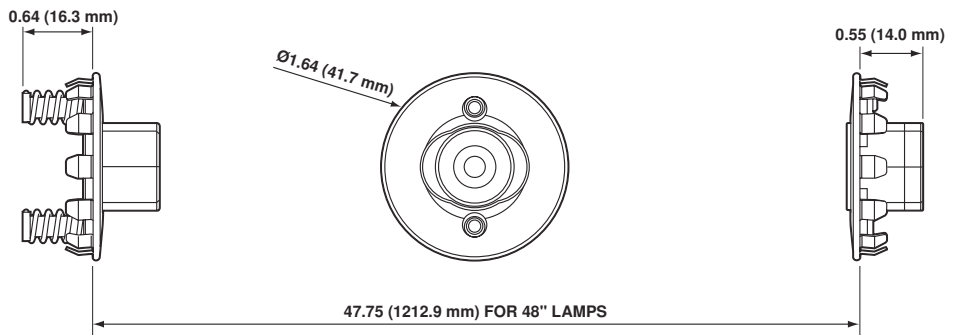


### SPECIFICATIONS & FEATURES

- Versatile snap-in mounting reduces fixture assembly time
- Quickwire terminals accept either No. 18 AWG (stranded, twisted or tinned), No. 18 AWG solid or No. 16 AWG solid.
- Internal Shunt versions stamped "S" on back for easy identification

### TESTING & CODE COMPLIANCE

- UL Listed (File #E-5833)
- CSA Certified (File #LR-5863; LR-1863)
- NOM Certified (#057)



Cat. No. 13518  
Plunger style

Cat. No. 13519  
Stationary style

Cat No. 13500 Spacing

