

9885



Description

Medium Base, One-Piece, Keyless, Incandescent, Unglazed Porcelain Lampholder, Front Mount, Single Circuit, Back Wired, - White

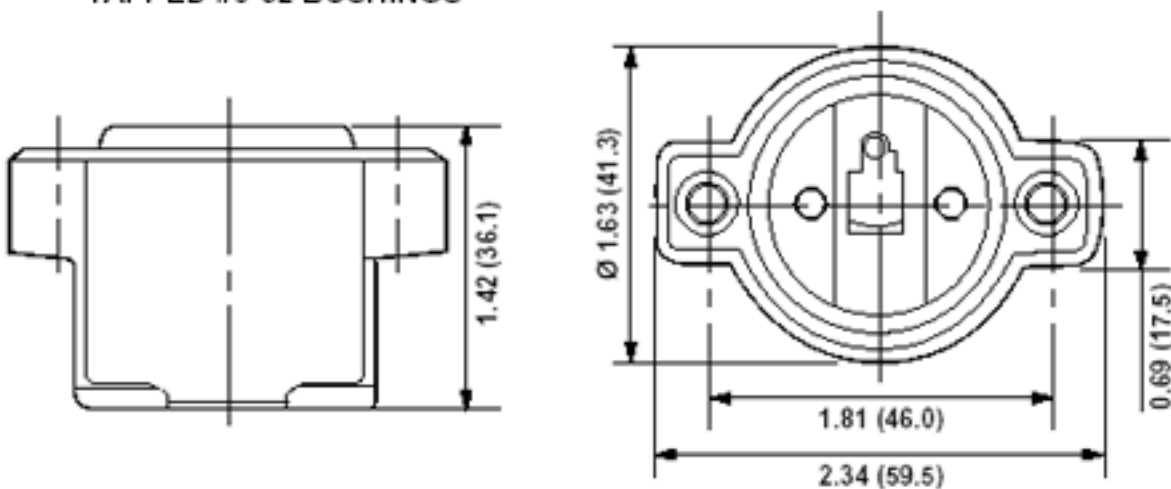
Product Features

- Lamp Socket Base: Medium
- Construction: One-Piece
- Mounting Type: Front Mount
- Circuit: Single Circuit
- Access: Back Wired
- Termination: 2-Terminal Screws
- Mounting Type: 2 8-32 Screws
- Screw Shell Material: Nickel-Plated Copper Alloy
- Body Material: Unglazed Porcelain
- Standards and Certifications: UL/CSA
- Warranty: 1 Year Limited
- Availability: Distribution

Electrical Specifications	
Circuit	Single Circuit
Wattage Rating	660W
Voltage	600 Volt
Mechanical Specifications	
Access	Back Wired

Material Specifications	
Color	White
Availability	Distribution
Standards and Certifications	
UL Listed	File E3810
CSA Certified	File LR-1863

EARS FITTED WITH TAPPED #8-32 BUSHINGS



SPECIFICATION SUBMITTAL

JOB NAME: <input type="text"/>	CATALOG NUMBERS: <input type="text"/>	
JOB NUMBER: <input type="text"/>	<input type="text"/>	<input type="text"/>

Leviton Manufacturing Co., Inc.

201 North Service Road, Melville, NY 11747

Telephone: 1-800-323-8920 · FAX: 1-800-832-9538 · Tech Line (8:30AM-7:30PM E.S.T. Monday-Friday): 1-800-824-3005

Leviton Manufacturing of Canada, Ltd.

165 Hymus Boulevard, Pointe Claire, Quebec H9R 1E9 · Telephone: 1-800-469-7890 · FAX: 1-800-824-3005

Leviton S. de R.L. de C.V.

Lago Tana 43, Mexico DF, Mexico CP 11290 · Tel.: (+52)55-5082-1040 · FAX: (+52)5386-1797 · www.leviton.com.mx



Visit our Website at: www.leviton.com

© 2007-2009 Leviton Manufacturing Co., Inc. All rights reserved. Subject to change without notice.

