

## Socket Extensions — Single Circuit

### Medium-Medium

DESCRIPTION	CAT. NO.	RATING
<b>2-Piece Porcelain; Mounting Hole 1 3/8" Dia. Extension 1 1/4"</b> **	2004	660W 250V
<b>1-Piece Porcelain; Slotted Mounting Hole 1 3/8" Dia. Extension 1 1/4"</b> **	2005	660W 250V
<b>1-Piece Phenolic. Extension 1 3/16"</b> **	2006	660W 250V

\*To be used with porcelain sockets only

\*\*To be used with phenolic sockets only

### Mogul-Mogul

DESCRIPTION	CAT. NO.	RATING
<b>1-Piece Porcelain. Extension 2 3/8"</b>	8647	1500W 600V

## Socket Adapter

### Mogul-To-Porcelain Medium

DESCRIPTION	CAT. NO.	RATING
<b>1-piece. Meets Fed. Spec. W-L-142a</b>	8681	660W 250V
<b>Same as above, except 4 KV Pulse-Rated</b>	8681-400	660W 250V 4 KV Pulse-Rated

## Appliance Heating Receptacle

### Porcelain Two-Piece

DESCRIPTION	CAT. NO.	RATING
<b>2-piece Heating Receptacle. Gasket Furnished</b>	8110	660W 250V

## Porcelain and Phenolic Lampholders

### Pony Cleat Type

DESCRIPTION	CAT. NO.	RATING	OD	OH	C
<b>Candelabra Base; Plastic. Not UL Listed★</b>	10028	75W 125V	17/16	7/8	11/8
<b>Miniature Base, Plastic. Not UL Listed★</b>	10020	75W 125V	15/16	7/8	31/32
<b>Medium Base, Phenolic</b>	9063	660W 250V	17/8	1 1/2	11 5/16
<b>Medium Base, Porcelain</b>	19062	660W 250V	17/8	1 1/2	11 5/16

### Surface Type

DESCRIPTION	CAT. NO.	RATING	OD	OH	C
<b>Medium Base; Porcelain; Low 2-Piece</b>	9880	660W 250V	2 5/16	1 1/2	1 3/8
<b>Medium Base; Porcelain; High 2-Piece★</b>	9882	660W 250V	2 5/16	1 7/8	1 3/8

All devices are UL Listed. Also CSA Certified except where indicated by ★

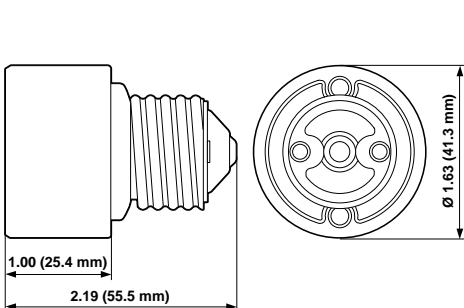


### SPECIFICATIONS & FEATURES

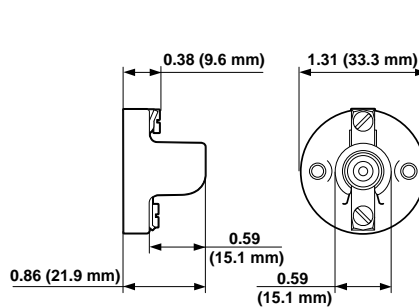
- Medium-to-Medium Extenders available in phenolic and porcelain
- Pony Cleat Receptacles have open wiring terminals
- Two-piece surface-type lampholders have concealed wiring terminals with wireways for top and continuous wiring

### TESTING & CODE COMPLIANCE

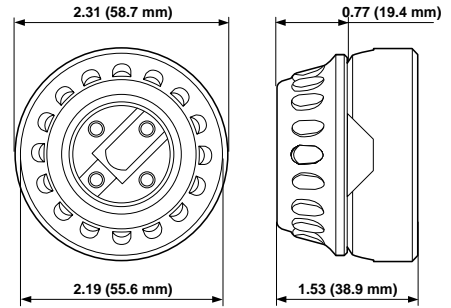
- UL Listed (File #E-3810; E-13396)
- CSA Certified (File #LR-1863)



Cat. No. 2005



Cat. No. 10020



Cat. No. 9880