

ISRK Under Desk / Mobile Presentation Rack

UL LISTED EIA Compliant



Middle Atlantic Products, Inc.

middleatlantic.com

Under desk / mobile presentation rack features **Glide-Away™** front door and an ergonomic viewing angle

Features

- Rolls under all standard height desks
- 15 degree slope provides an ergonomic viewing angle when used under-desk
- Scuff Resistant Glide-Away™ front door easily hides away, and requires minimal clearance in cramped environments
- 12 useable rackspaces front and rear
- Knockouts on face of rack accept Decora style low-voltage switches or devices
- Secure, locking front door
- Secure, full height locking rear door
- Available graphite finish work surface accommodates single LCD monitor mount
- Removable electrical knockout panels for ease of cable entry/exit
- 200 lb. weight capacity
- Durable granite gray textured powder coat finish
- Non-marring furniture grade casters
- UL Listed in the US and Canada



ISRK
(shown closed)



ISRK (shown with
optional work surface
and LCD mount)

Architects' and Engineers' Specifications

EIA compliant 19" under desk / mobile presentation rack shall be Middle Atlantic Products model # ISRK-12GY. Overall dimensions shall be 23" W x 26.875"H x 26" D. ISRK shall be constructed of 18-gauge steel, scuff resistant Glide-Away™ front door shall be constructed of 20-gauge steel. ISRK shall have a weight capacity of 200 lbs. and come standard with a granite gray finish. Front rackrail shall have 12 spaces and shall be constructed of 11-gauge steel with tapped 10-32 mounting holes in universal EIA spacing with black e-coat finish with marked rackspaces. Rear rackrail shall be cage nut style and come with 12, 10-32 threaded, cage nuts and be constructed of 18-gauge steel. Rack shall come equipped with 2" swivel casters and locking front and rear doors standard. Rack shall be UL Listed in the U.S. and Canada.

OPTIONS

- Furniture grade, graphite finish work surface shall be Middle Atlantic Products part # WS1-ISRK-21G
- Single LCD monitor mount shall have a black finish and be Middle Atlantic Products part # LD-AM1X1



electronic version available at middleatlantic.com

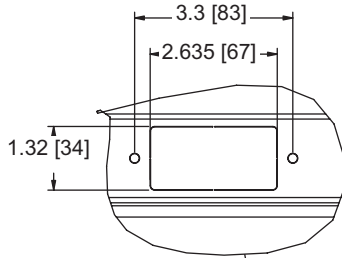
Engineered Mounting Solutions

US: New Jersey • California • Illinois • Voice: 973-839-1011 Fax: 973-839-1976 • middleatlantic.com
Canada: Ontario • British Columbia • Voice: 613-836-2501 Fax: 613-836-2690 • middleatlantic.ca

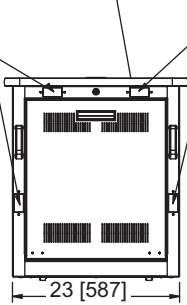
ISRK basic dimensions

All dimensions in inches unless otherwise noted [All dimensions in brackets are millimeters]

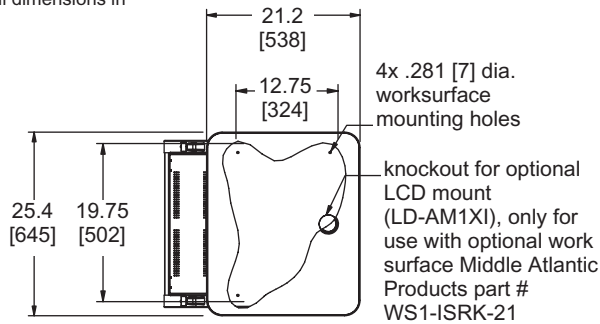
LKO FOR DECORA
DETAIL 4 PLACES



knockouts for
decora style
switches or
devices



FRONT VIEW

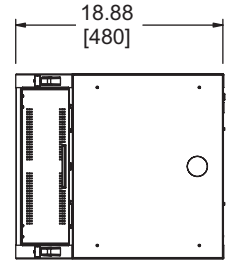


TOP VIEW

(shown with optional worksurface)

4x .281 [7] dia.
worksurface
mounting holes

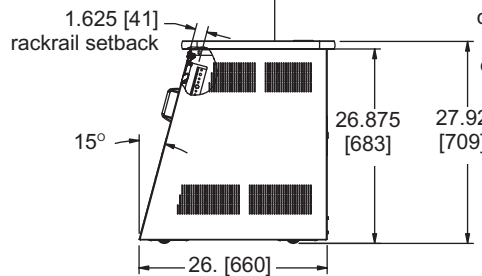
knockout for optional
LCD mount
(LD-AM1X1), only for
use with optional work
surface Middle Atlantic
Products part #
WS1-ISRK-21



TOP VIEW

(shown without optional worksurface)

optional work surface
Middle Atlantic
Products part #
WS1-ISRK-21

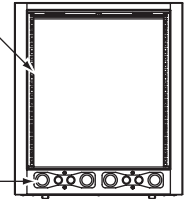


SIDE VIEW

(shown with optional worksurface)

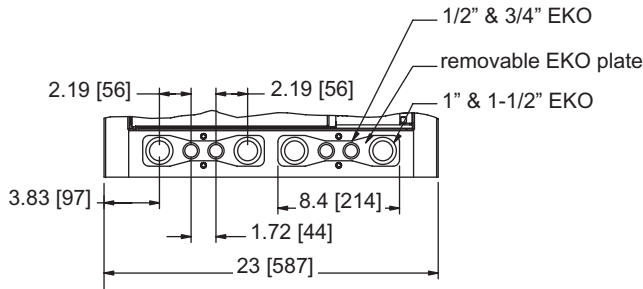
10-32 threaded
cage nuts provided
for installing
equipment on rear
rackrail

removable
knockout plate



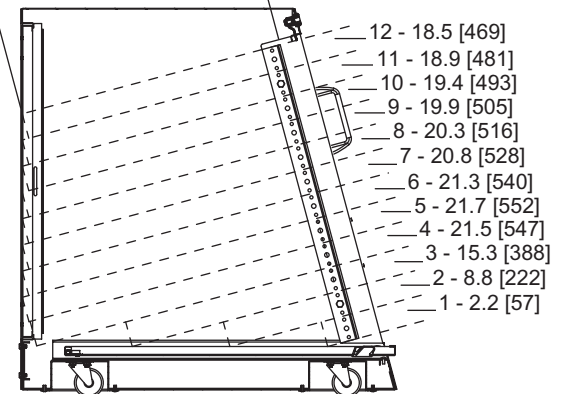
REAR VIEW

(shown with rear door removed)

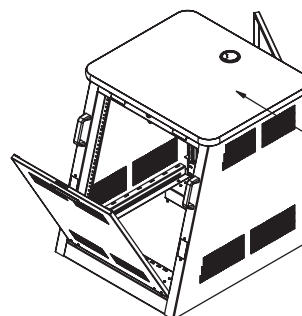
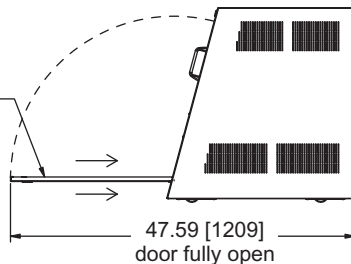


BOTTOM REAR VIEW

maximum equipment
depth



fully retractable
and removable
front door



optional worksurface (WS1-ISRK-21) with
grommet for LCD mount and cable pass
through

