



## Outlet Box Lampholders

660 WATT 125V Lampholder Outlet 15 AMP-125V  
One-Piece Pull Chain Side Wired


DESCRIPTION/ TERMINALS	PORCELAIN	O.D.	FITS BOX SIZE	NEMA CONFIG.
2 Screws★	9716-C	4 1/2"	3 1/4" or 4"	1-15R 

660 WATT 125V Lampholder Outlet 15 AMP-125V  
One-Piece Pull Chain Top Wired

DESCRIPTION/ TERMINALS	PORCELAIN	O.D.	FITS BOX SIZE	NEMA CONFIG.
2 Screws	9726-C	4 1/2"	3 1/4" or 4"	5-15R 

## Ball and Chain Accessories

DESCRIPTION	BRASS FINISH	NICKEL FINISH
No. 6 Chain; 1/8" Dia. Balls	18302-1	18302-1N



Connector for No. 6 Chain	9820	9820-N
---------------------------	------	--------

Chain, 3 feet long, End Bell and Connector; use as extension or replacement; 1/25" Dia. Balls	6	6-N
---	---	-----



DESCRIPTION	BROWN	WHITE
Insulating Link; Thermoplastic 1 3/4" Total Length	9839	9839-1



All devices are UL Listed. Also CSA Certified except where indicated by★

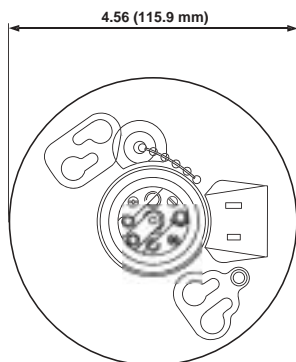


### SPECIFICATIONS & FEATURES

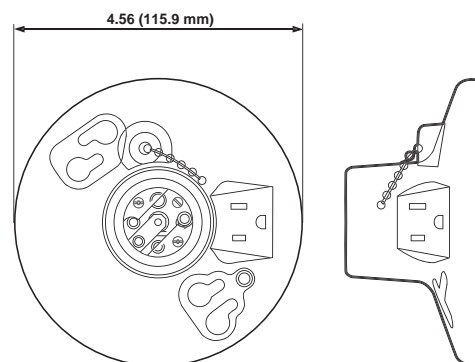
- 2-Pole, 2-Wire Outlet; 2-Pole, 3-Wire Outlet
- Twist-lock mounting
- Pull chain models have bell at end of chain on 3 foot cord

### TESTING & CODE COMPLIANCE

- UL Listed (File #E-3810; E-7516)
- CSA Certified (File #LR-1863)



Cat. No. 9716-C



Cat. No. 9726-C

