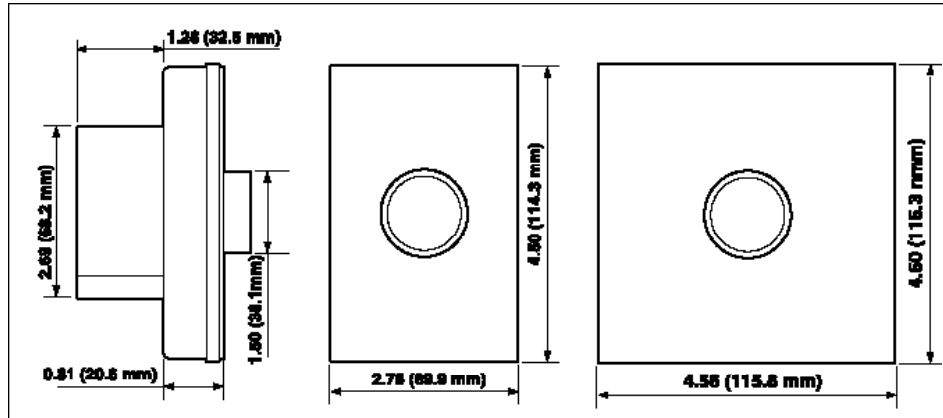


Van Gogh™ Architectural Specification Multi-Location Lighting Controls



Van Gogh

Narrow Fin

Wide Fin



Van Gogh

APPLICATION

Leviton Van Gogh™ rugged, full-range Architectural Specification Grade dimmers are designed for high-power loads (800W, 1000W, 1500W and 2000W) in a wide variety of commercial applications. Van Gogh is a rotary dimmer available in rotary ON/OFF and Push-ON/Push-OFF versions. These devices feature classic architectural fin design with screwless snap-on covers and they are available for incandescent, magnetic low-voltage and fluorescent lighting control.

FEATURES

- UL Listed (File # E-3 1373, E-66800 for 2000W version)
- CSA Certified (File # LR-3413)
- Classic rotary architectural-style dimmer is a popular choice in many installations.
- Available in Rotary ON/OFF (single pole only) and Push-ON/Push-OFF (single-pole and 3-way).
- 3-way version is used with a standard 3-way ON/OFF switch.
- Snap-on Decora-style cover hides heat fins.
- Color-matched dimmer control knob with gold insert for an attractive appearance in any installation.
- Snap-off fins permit easy ganging with other devices.
- Slim, compact housing easily fits in standard wall box.
- Large radio/TV interference filter.
- Available for incandescent and magnetic fluorescent lighting, plus fan speed control.



LEVITON SPECIFICATION SUBMITTAL

JOB NAME: <input type="text"/>	CATALOG NUMBERS: <input type="text"/>	
JOB NUMBER: <input type="text"/>	<input type="text"/>	<input type="text"/>

Product Specifications



Van Gogh

STANDARDS SPECIFICATIONS

Architectural Specification Grade Dimmer shall be UL Listed Leviton Architectural Specification Grade Multi-Location Rotary Dimmer with Limited Two-Year Warranty, rotary ON/OFF single-pole and Push-ON/Push-OFF single-pole and 3-way versions, Snap-on Decora-style cover, color-matched dimmer control knob with gold insert and snap-off fins for easy ganging.

Performance Specifications	
Electrical	<ul style="list-style-type: none"> • Input 120 VAC @ 60Hz • RFI noise suppression. • Maximum load incandescent 2000 watts stand alone.
Mechanical	<ul style="list-style-type: none"> • Dimmer control – rotary. • Push on/off switch. • 3-way versions work with a 3-way switch. • Two wire device; three wire on 3-way • On/off switch provides air-gap switch for servicing.
Environmental	<ul style="list-style-type: none"> • Operating 0 degrees celsius to 55 degrees celsius. • Non-operating – 10 degrees celsius to 85 degrees celsius. • Relative humidity, non-condensing 20% to 90%.

ORDERING INFORMATION

Cat. No.	Rating	Description
60800	800W 120V AC Incandescent	Single-Pole Rotary (narrow fin)
60800-3	800W 120V AC Incandescent	3-Way Push ON/Push OFF (narrow fin)
61000	1000W 120V AC Incandescent	Single-Pole Rotary (narrow fin)
61000-3	1000W 120V AC Incandescent	3-Way Push ON/Push OFF (narrow fin)
61500	1500W 120V AC Incandescent	Single-Pole Rotary (wide fin)
62000	2000W 120V AC Incandescent	Single-Pole Rotary (wide fin)
81127	10 Amps 120V AC	Single-Pole Rotary Fan Speed Control (wide fin)
60001	No load rating	Cover to fit Van Gogh narrow fin devices. Brown cover and knob w/gold insert. Also available: Ivory cover and knob w/gold insert (-I), White cover and knob w/silver insert (-W).
60002	No load rating	Cover to fit Van Gogh wide fin devices. Brown cover and knob w/gold insert. Also available: Ivory cover and knob w/gold insert (-I), White cover and knob w/silver insert (-W).

Available in White (-W) and Ivory (-I). Fluorescent version available in White only.

Leviton's Limited Two- Year Warranty

This warranty gives you specific rights, and you may also have other rights, which vary in different states and countries. Leviton warrants to the original consumer purchaser that this product is free of defects in materials and workmanship for 2 years from the purchase date. Leviton's only obligation is to correct such defects by repair or replacement, at its option, if within such 2 years the product is returned prepaid, with proof of purchase date, and a description of the problem to the Leviton Manufacturing Co., Inc., ATTN: Quality Assurance Department, 59-25 Little Neck Pkwy., Little Neck, NY 11362-2591. This warranty does not cover labor for removal or reinstallation of the product and is void on any product installed improperly or in an improper environment, overloaded, misused, opened, abused, or altered in any manner. There are no implied warranties of any kind, but if implied warranties are required by the applicable jurisdiction, Leviton limits the duration of any implied warranty of fitness for use or merchantability to 2 years. Leviton is not liable for incidental or consequential damages, including without limitation, loss of equipment use and lost sales or profits for breach of any warranty on this product. Some jurisdictions may not allow exclusion of or limitations on how long an implied warranty lasts or the exclusion or limitation of incidental or consequential damages, so the above exclusions or limitations may not even apply to you.

LEVITON SPECIFICATION SUBMITTAL

JOB NAME: <input type="text"/>	CATALOG NUMBERS: <input type="text"/>	<input type="text"/>
JOB NUMBER: <input type="text"/>	<input type="text"/>	<input type="text"/>