

Monet™ Architectural Specification Grade Controls Non-Scene Capable 120 & 277V AC 60Hz

For applications where scene capability is not required, Monet single-pole incandescent dimmers and single-pole, 3-way and 4-way switches are available.

Monet Non-Scene Capable Devices

DESCRIPTION	CAT. NO.	RATING	COLOR*
Monet Incandescent Dimmer, Single-Pole, Unlighted (narrow fin)	MNI06-10	600W 120V AC Incandescent only	I, W, G, E, A
Monet Incandescent Dimmer, Single-Pole, Unlighted (narrow fin)	MNI10-10	1000W 120V AC Incandescent only	I, W, G, E, A
Monet Single-Pole Rocker Switch with Screw Terminals, Lighted (narrow fin)	MNS20-1L	20A 120V AC	I, W, G, E, A
Monet 3-Way Rocker Switch with Screw Terminals, Unlighted (narrow fin)	MNS20-D3	20A 120/277V AC	I, W, G, E, A
Monet 4-Way Rocker Switch with Screw Terminals, Unlighted (narrow fin)	MNS20-D4	20A 120/277V AC	I, W, G, E, A

SPECIFICATIONS & FEATURES

- Low-profile architectural fins for flush fit appearance
- Specially designed to minimize shadows with non-reflective, easy-to-clean matte finish. Ideal for museums, art galleries, showrooms
- Screwless, designer Monet plates with matte finish included. Multi-gang wallplates also available for combining narrow and wide fin Monet devices, with or without fins removed (see page O16)
- Customized wallplate engravings available—See your Leviton representative

Dimmers

- Digital circuit provides soft-ON/fade-OFF for eye-pleasing effect and prolonged bulb life
- Built-in radio/TV interference filter
- Protected memory during temporary power failures
- Internal MOV for surge protection

TESTING & CODE COMPLIANCE

- UL Listed (File #E-31373)
- CSA Certified (File #LR-3413)
- Backed by a Limited Two-Year Warranty

*COLOR

Add suffix to catalog number as follows for color selections: Ivory (-I), White (-W), Gray (-G), Almond (-A), Black (-E).

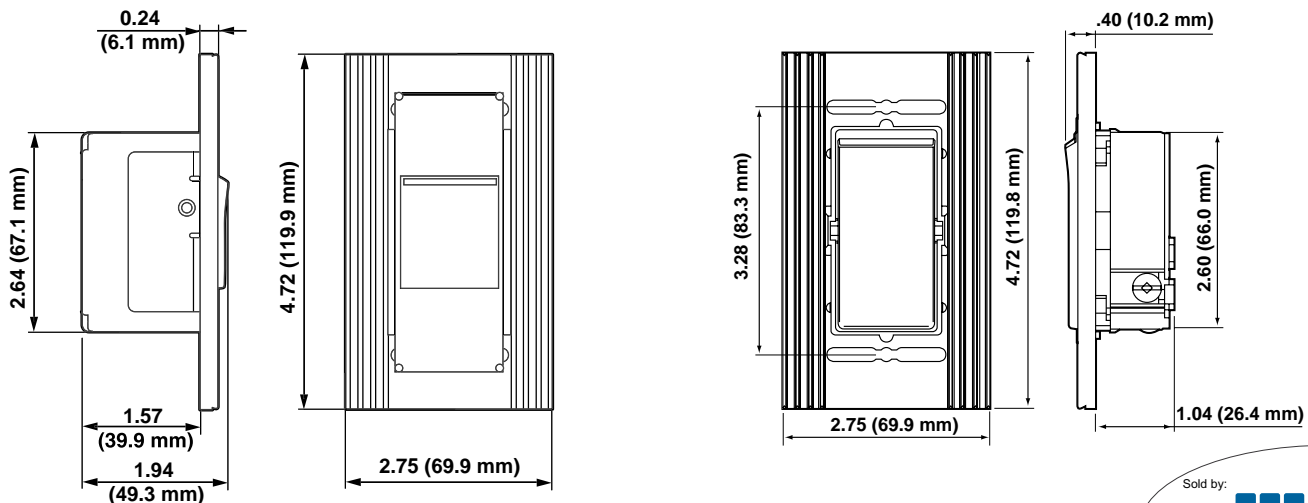
MATERIAL CHARACTERISTICS

Environmental: Flammability UL-94, V2 Rating
Operating Temperature: 32°F to 130°F

Note: For fin removal and switchbox requirements for ganging Leviton Monet dimmers, refer to page O16 or the instruction sheet provided with the device.



- Use with Leviton DPSPE-112 Power Extender to extend 120V load capacity to 2000W (2000VA) for incandescent, magnetic low-voltage and Advance Mark X™ fluorescent dimming ballasts.
- Use with Leviton DPSPE-212 Power Extender to extend 120V load capacity to 2000VA for Advance Mark VII™ and OSRAM Sylvania Quicktronic® Helios™ fluorescent ballasts.



Cat. Nos. MNI06-10 and MNI10-10

Cat. No. MNS20-1L

