

Sold by:



Night Lights

ON/OFF Night Light 4 WATT 125V

DESCRIPTION	CAT. NO.	COLOR*
Night Light, Open Cased	48566	I, W

Automatic Night Light 4 WATT 125V

DESCRIPTION	CAT. NO.	COLOR* (Night Light Base)
Automatic Night Light	48568	I, W, E

Guide Lights

DESCRIPTION	CAT. NO.	COLOR
Button-Style Neon Guide Light 1/4 Watt 120V AC	49567	White
LED Guide Light with clear shade 1/2 Watt 120V AC	49568	-W (Amber LED), -BLU (Blue LED)

Child Protection Devices

Outlet Cover Night Light 1/4 WATT 125V

DESCRIPTION	CAT. NO.	COLOR
Outlet Cover Night Light	48500	White


Outlet Caps

DESCRIPTION	CAT. NO.	COLOR
Outlet Caps	12777	Clear

Child-Resistant Wallplates

DESCRIPTION	CAT. NO.	COLOR
Single Gang Child-Resistant Wallplates	86002	Wheat
Single Gang Child-Resistant Wallplates	88002	White

Tamper Resistant Receptacle 15 AMP 125V 2-Pole 3-Wire Grounding

DESCRIPTION	CAT. NO.	COLOR	NEMA CONFIG.
Tamper Resistant Receptacle	5321	I, W	5-15R 

All devices are UL Listed and CSA Certified



SPECIFICATIONS & FEATURES

Guide Lights

- Energy-efficient with soft, comforting light
- Compact Neon model keeps second outlet free
- No bulb to replace in LED model

Automatic Night Light

- Turns ON automatically at dusk; OFF automatically at dawn
- Rotating shade removes easily for bulb replacement
- Long-life 4 watt bulb included

Outlet Cover Night Light

- Provides a soft glow when plugged in
- Covers both openings of a duplex outlet

Outlet Caps

- Insert into unused outlets to serve as a barrier
- Can be easily removed by adults when needed for lights and appliances

Child-Resistant Wallplates

- Sliding shutters block outlet openings
- Shutters slide to one side when inserting plug
- Easily replace existing wallplates

Tamper Resistant Receptacle

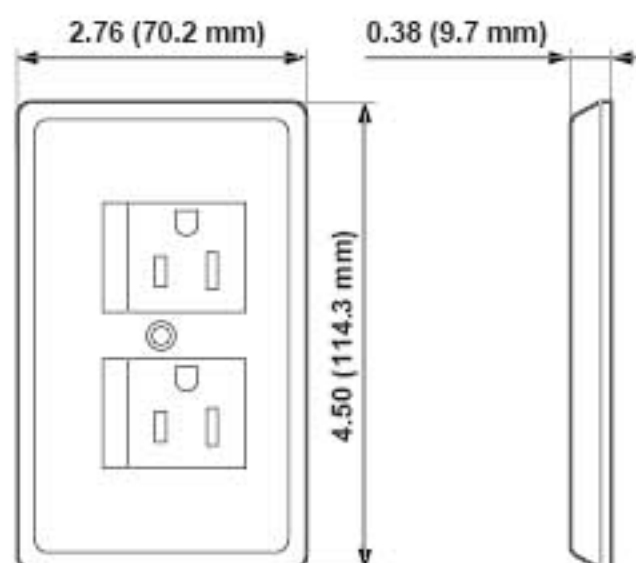
- Exclusive design helps prevent insertion of anything but a properly rated plug
- Floating shutters behind outlet faces block clear access to energized contacts

TESTING & CODE COMPLIANCE

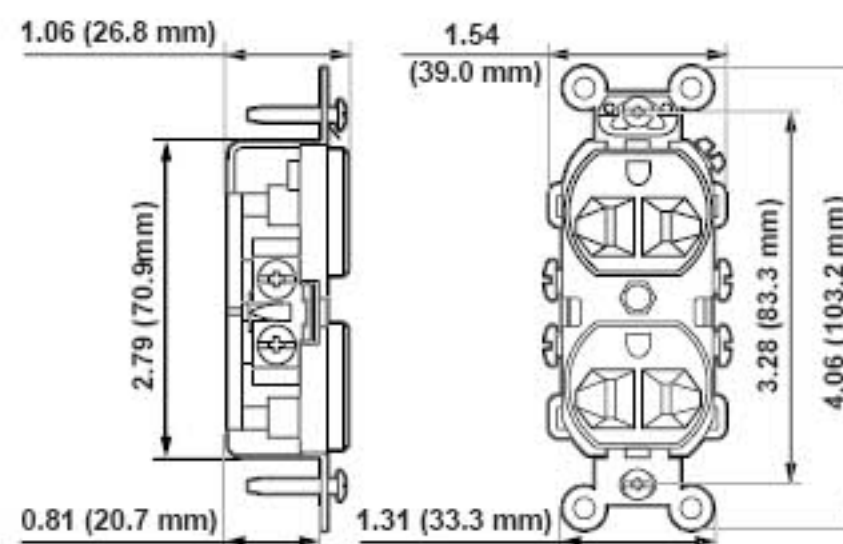
- UL Listed (File #E-121173 – Cat. No. 48568; File #E-84313 – Cat. No. 48500; File #E-7416 – Cat. No. 12777; File #E-13399 – Cat. No. 5321; File #E-39445 – Cat. No. 48566)
- CSA Certified (File #LR-1863 – Cat. Nos. 48566 and 48568; File #LR-64317 – Cat. No. 48500; File #LR-406 – Cat. No. 5321)
- NOM Certified (#057)

*COLOR

Add suffix to catalog number as follows for color selections: Ivory (-I), White (-W), Black (-E).



CHILD-RESISTANT WALLPLATE
Cat. No. 86002



TAMPER-RESISTANT RECEPTACLE
Cat. No. 5321