

## Pushbutton Switches Fluorescent Starter

40 WATT 125V AC

DESCRIPTION	CAT. NO.	SEQUENCE
Metal Button, 2 Black, 2 Blue Leads	388	ON-OFF
Plastic Button, 2 Black, 2 Blue Leads	9382	ON-OFF

## Single Pole Toggle Switches

6 AMP 125V 3 AMP 250V

DESCRIPTION	CAT. NO.	SEQUENCE
Single-Throw Ball Toggle. Nickel Finish ON-OFF Indicator Plate keyed to bushing. #6-32 Brass Terminal Screws	735	ON-OFF

6 AMP 125V 3 AMP 125VT 3 AMP 250V

DESCRIPTION	CAT. NO.	SEQUENCE
Single-Throw Metal Bat Toggle. ON-OFF Indicator Plate keyed to bushing. No. 18 AWG leads.	720-L5	ON-OFF
Same as above, with Molded Nylon Bat Toggle. Meets UL requirements for double insulated applications	1720-T	ON-OFF

8 AMP 125V

DESCRIPTION	CAT. NO.	SEQUENCE
Single-Throw Metal Bat Toggle. Nickel Finish ON-OFF Indicator Plate keyed to bushing with No. 16 AWG leads.	738	ON-OFF
Similar to Cat. No 738, with Black Molded Nylon Bat Toggle. No. 16 AWG leads. For double insulated applications	1738	ON-OFF

15 AMP 125V AC 10 AMP 250V AC 3/4 HP 125/250V AC

DESCRIPTION	CAT. NO.	SEQUENCE
Single-Throw Heavy-Duty Aluminum Bat Toggle. Stamped with ON-OFF marking. Screw terminals	5731	ON-OFF
Single-Throw Heavy-Duty Aluminum Bat Toggle. Stamped with ON-OFF marking. Quick connect tabs	5721	ON-OFF



388



735

### SPECIFICATIONS & FEATURES

Cat. Nos. 388, 9382

- Bushing 3/8-27 x 1 1/32" long; panel opening 1 3/32" dia.

Cat. No. 735

- Bushing 15/32-32 x 1/4" long

Cat. No. 720-L5

- Bushing 15/32-32 x 1/4" long

Cat. No. 1720-T

- Bushing 15/32-32 x 1 1/32" long

Cat. Nos. 1738, 738

- Bushing 15/32-32 x 1 1/32" long; panel opening 1/2" dia.

Cat. Nos. 5731, 5721

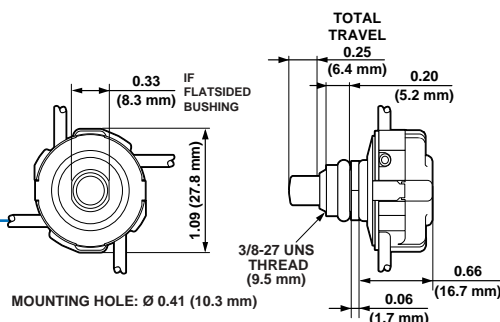
- Bushing 15/32-32 x 3 1/64" long. Bat-type toggle extends 1 1/16" from top of bushing

### TESTING & CODE COMPLIANCE

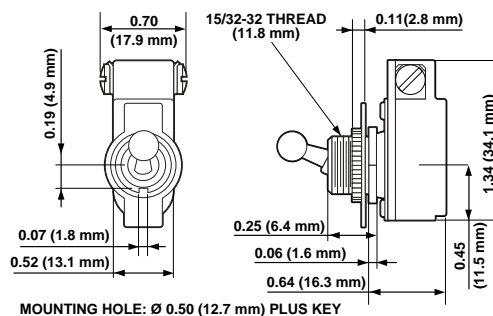
- UL Listed (File #E-18134)—Cat. Nos. 388, 9382
- UL Listed (File #E-7458)—Cat. Nos. 735, 720-L5, 1720-T, 738, 1738, 5731, 5721
- CSA Certified (File #LR-8255)—Cat. No. 388
- CSA Certified (File #LR-3413)—Cat. Nos. 9382, 735, 720-L5, 1720-T, 738, 1738, 5731, 5721
- NOM Certified (#057)

### MATERIAL CHARACTERISTICS

Environmental: Flammability UL-94, V2 Rating  
 Operating Temperature: -40°C to 120°C



FLUORESCENT STARTER SWITCH  
 Cat. No. 388



SINGLE POLE TOGGLE SWITCH  
 Cat. No. 735