





## 20 AMP Locking Devices

### 20 AMP 600V 2-Pole 3-Wire Grounding

DESCRIPTION	CAT. NO.	CORD DIA. (inches)	WIRE GAUGE (stranded)	NEMA CONFIG.
Single Flush Receptacle	2350†			
Single Flush Receptacle, Isolated Ground	2350-IG†			L9-20R 
Locking Plug, Black Nylon Body	2351	.385-.780	10-18	
Locking Connector, Black Nylon Body	2353	.385-.780	10-18	L9-20P 
Locking Flanged Inlet	2355			
Locking Flanged Outlet	2356			





### 20 AMP 125/250V 3-Pole 3-Wire Non-Grounding



DESCRIPTION	CAT. NO.	CORD DIA. (inches)	WIRE GAUGE (stranded)	NEMA CONFIG.
Single Flush Receptacle★	2360†			
Locking Plug, Black Nylon Body★	2361	.385-.780	10-18	L10-20R 
Locking Connector, Black Nylon Body★	2363	.385-.780	10-18	
Locking Flanged Inlet★	2365			L10-20P 
Locking Flanged Outlet★	2366			



### 20 AMP 3Ø 250V 3-Pole 3-Wire Non-Grounding

DESCRIPTION	CAT. NO.	CORD DIA. (inches)	WIRE GAUGE (stranded)	NEMA CONFIG.
Single Flush Receptacle★	2370†			
Locking Plug, Black Nylon Body★	2371	.385-.780	10-18	L11-20R 
Locking Connector, Black Nylon Body★	2373	.385-.780	10-18	
Locking Flanged Inlet★	2375			L11-20P 
Locking Flanged Outlet★	2376			

### 20 AMP 3Ø 480V 3-Pole 3-Wire Non-Grounding

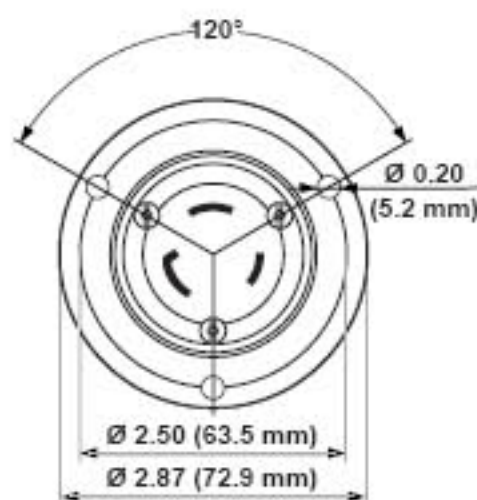
DESCRIPTION	CAT. NO.	CORD DIA. (inches)	WIRE GAUGE (stranded)	NEMA CONFIG.
Single Flush Receptacle★	2380†			
Locking Plug, Black Nylon Body★	2381	.385-.780	10-18	L12-20R 
Locking Connector, Black Nylon Body★	2383	.385-.780	10-18	
Locking Flanged Inlet★	2385			L12-20P 
Locking Flanged Outlet★	2386			

†Uses stainless steel wallplate, Cat. No. 84020-40. For additional wallplate selections, please see Section G.

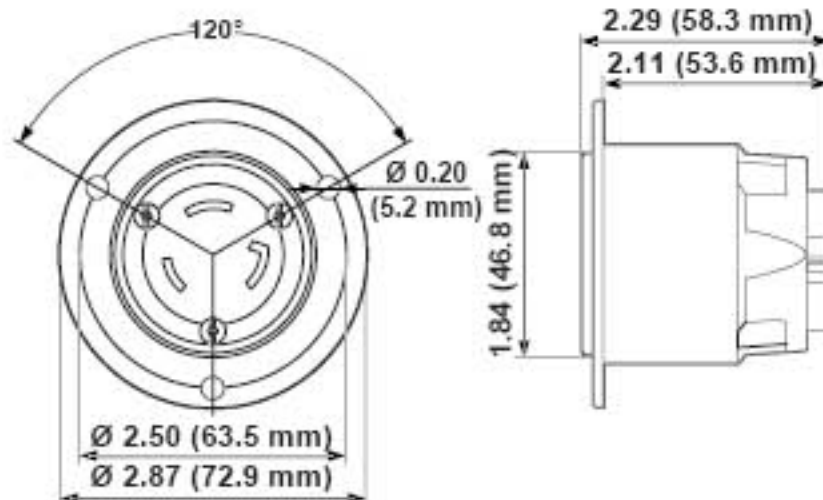
For Corrosion Resistant Locking Devices, please check pages K2-K5

Weather-Resistant Boots for 20A Locking Plugs and Connectors are listed on page J20

All devices are UL Listed. Also CSA certified except where indicated by★



LOCKING FLANGED INLET  
Cat. No. 2375



LOCKING FLANGED OUTLET  
Cat. No. 2376

#### SPECIFICATIONS & FEATURES

- Locking Receptacles feature a complete range of ratings and NEMA configurations, including isolated ground and non-grounding
- Locking Plugs and Connectors feature heavy-duty construction for top performance in the environmental extremes of grueling industrial settings
- Flanged Inlets and Outlets are built to endure hard use with rugged nylon flanges that assure a smooth, flush fit and outstanding resistance to cracking and breaking

#### TESTING & CODE COMPLIANCE

- All receptacles, plugs, connectors, inlets and outlets are designed to meet NEMA WD-6, and ANSI C-73, and to meet/exceed UL 498 standards
- UL Fed Spec. Listed WC-596 (File #E-13399 — Cat. Nos. 2350, 2356, 2360, 2366, 2370, 2376, 2380, 2386; File #E-13393 — Cat. Nos. 2351, 2353, 2355, 2361, 2363, 2365, 2371, 2373, 2375, 2381, 2383, 2385)
- CSA Certified (File #LR-406)
- NOM Certified (#057)
- Backed by a Lifetime Warranty

#### MATERIAL CHARACTERISTICS

Environmental: Flammability per UL94 or CSA C22/06 Requirements  
Operating Temperature: -40°C to 60°C

