



## 15 AMP Locking Devices

### 15 AMP 125V 2-Pole 3-Wire Grounding

DESCRIPTION	CAT. NO.	CORD DIA. (inches)	WIRE GAUGE (stranded)	NEMA CONFIG.
Dustguard™ Locking Plug, High Visibility Yellow EPTR Body	2447	.240-.655	12-18	
Dustguard™ Locking Connector, High Visibility Yellow EPTR Body	2547	.240-.655	12-18	
Duplex Flush Receptacle, Self Grounding, Back and Side Wired	4700			
Duplex Flush Receptacle w/2 Hot Feeds and 1 Neutral Return, Self Grounding, Back and Side Wired	4702-IIR			
Duplex Flush Receptacle w/Split Feed — 2 Hot Feeds and 2 Neutral Returns, Self Grounding, Back and Side Wired	4703-IIR			
Duplex Flush Receptacle, Isolated Ground, Back and Side Wired	4700-IG			
Single Flush Receptacle	4710**			
Single Flush Receptacle, w/Short Strap	4710-SS			
Single Flush Receptacle, Isolated Ground	4710-IG**			L5-15R
Single Flush Receptacle, Isolated Ground, w/Short Strap	4710-SIG			L5-15P
Locking Flanged Outlet	4715-C			
Locking Flanged Inlet	4716-C			
Locking Plug, Black Nylon Body	4720-C	.245-.700	10-18	
Lighted Locking Plug, Black Nylon Body	4720-PLC	.245-.700	10-18	
Angle Locking Plug, Black Nylon Body	4720-CA	.245-.700	10-18	
Locking Plug, All Black Nylon for Stage and Studio	4720-CB	.245-.700	10-18	
Locking Plug, Yellow Nylon Body	4720-CY	.245-.700	10-18	
Locking Connector, Black Nylon Body	4729-C	.245-.700	10-18	
Lighted Locking Connector, Black Nylon Body	4729-PLC	.245-.700	10-18	
Locking Connector, All Black Nylon for Stage and Studio	4729-CB	.245-.700	10-18	
Locking Connector, Yellow Nylon Body	4729-CY	.245-.700	10-18	



4720-C



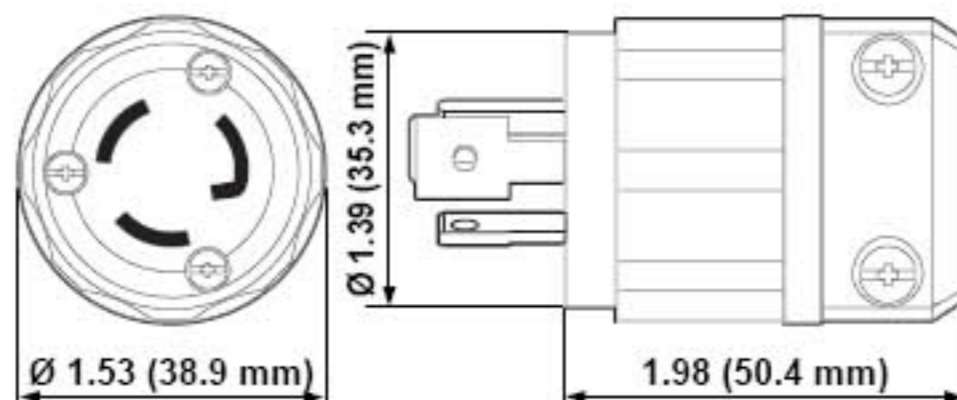
2547



### Factory-Assembled Cord Sets 15 AMP 125V 2-Pole 3-Wire Grounding

DESCRIPTION	LENGTH	CAT. NO. 14/3 SOOW	CAT. NO. 12/3 SOOW	NEMA CONFIG.
Yellow Cord, B & W Devices★	25'	IL515-43A	IL515-23A	L5-15R
Yellow Cord, B & W Devices★	50'	IL515-43B	IL515-23B	L5-15R
Yellow Cord, B & W Devices★	100'	IL515-43C	IL515-23C	L5-15P

\*\*Uses stainless steel wallplate, Cat. No. 84004-40. For additional wallplate selections, please see Section G For Corrosion Resistant Locking Devices, please check pages K2-K5. Weather-Resistant Boots for 15A Locking Plugs and Connectors are listed on page J20 All devices are UL Listed. Also CSA certified except where indicated by★



LOCKING PLUG  
Cat. No. 4720-C

#### SPECIFICATIONS & FEATURES

- Locking Receptacles feature a complete range of ratings and NEMA configurations, including isolated ground
- Locking Plugs and Connectors feature heavy-duty construction for top performance in the environmental extremes of grueling industrial settings.
- Flanged Inlets and Outlets are built to endure hard use with rugged nylon flanges that assure a smooth, flush fit and outstanding resistance to cracking and breaking

#### Dustguard

- IEC IP44 Rated
- Developed to withstand dusty and dirty environments, cracking and fading, temperature extremes
- Rugged wiring modules have high performance single-piece brass triple-wipe contacts, solid brass plug blades
- Self centering cord clamp accepts wide range of conductors, 18-3 SVT to 10-3SO

#### TESTING & CODE COMPLIANCE

- All receptacles, plugs, connectors, inlets and outlets are designed to meet NEMA WD-6, and ANSI C-73, and to meet/exceed UL 498 standards
- UL Fed. Spec. Listed WC-596 (File #13393 – Cat. Nos. 2447, 2547, 4716, 4720, 4729; File #13399 – Cat. Nos. 4700, 4710, 4715)
- CSA Certified (File #LR-406)
- NOM Certified (#057)
- Backed by a Lifetime Warranty

#### MATERIAL CHARACTERISTICS

Environmental: Flammability per UL94 or CSA C22/06 Requirements  
Operating Temperature: -40°C to 60°C