

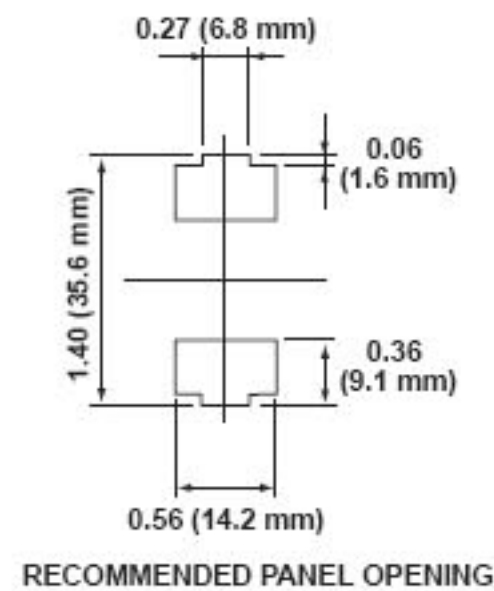
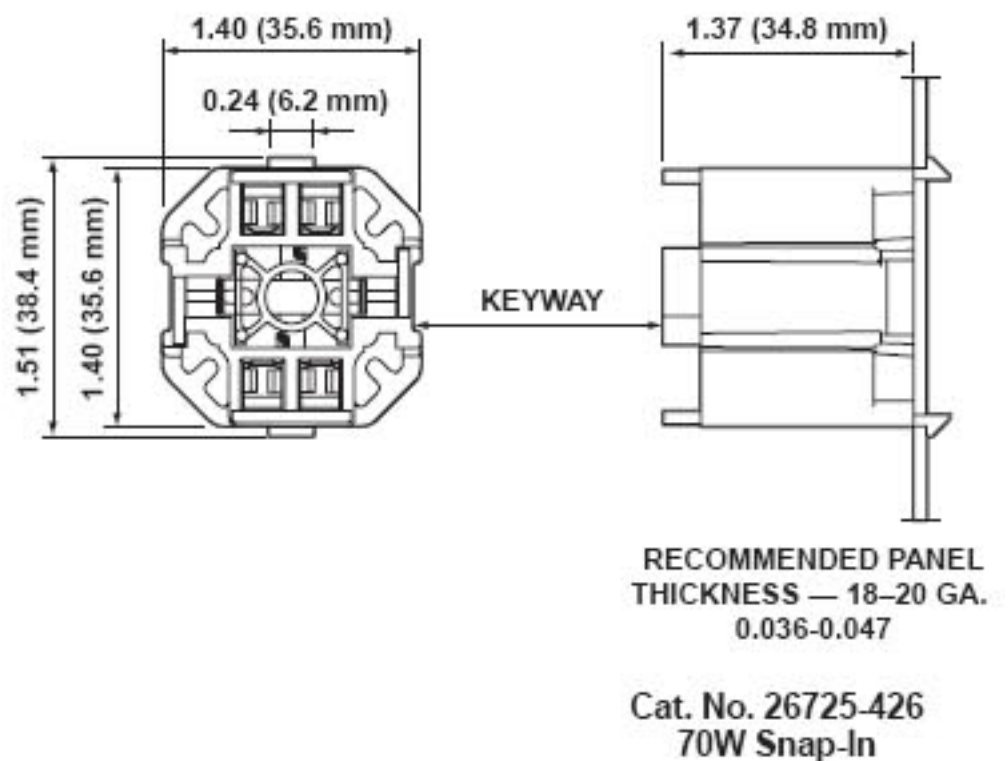
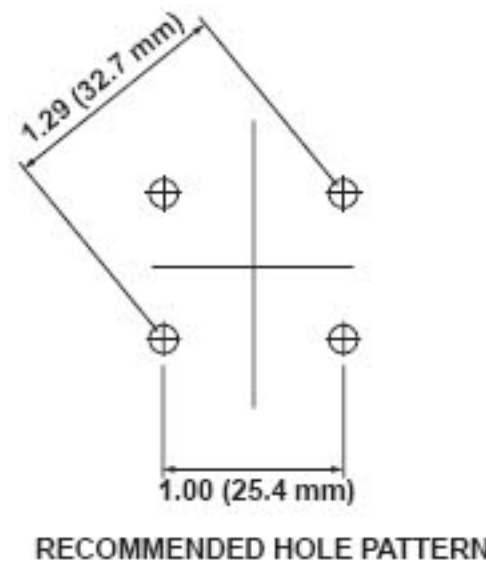
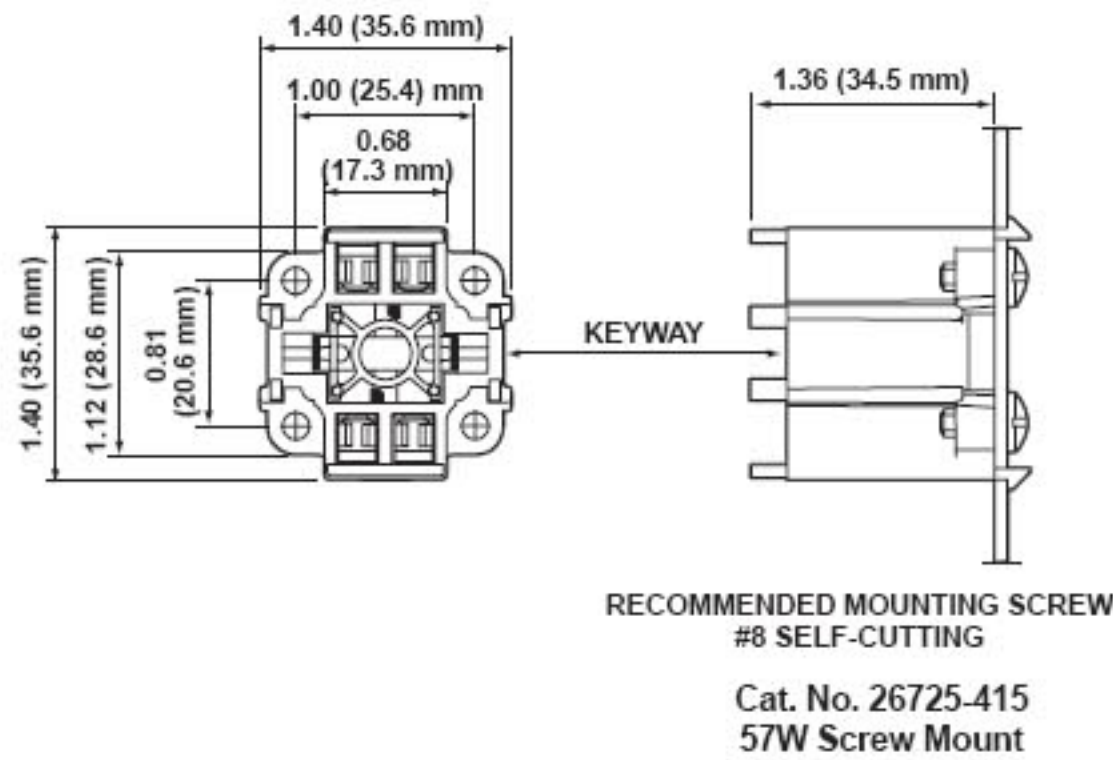
Sold by:



10mm Compact Fluorescent Lampholders for High-Wattage Lamps

**For GX24q Lamp Bases, 4-Pin — Rating: 75 WATT 600V
 Suitable for Dimming or Electronic Ballasts**

MOUNTING	CAT. NO.	COLOR	LAMP BASE	OSRAM SYLVANIA	GE LIGHTING
Bottom Snap-In for 16 Ga. Panels	26725-405	Blue	GX24q-5	DULUX T/E 57W	BIAX Q/E 57W
4-Hole Bottom Screw-Down	26725-415	Blue	GX24q-5	DULUX T/E 57W	BIAX Q/E 57W
2-Hole Bottom Screw-Down, Round Body	26725-4A5	Blue	GX24q-5	DULUX T/E 57W	BIAX Q/E 57W
Bottom Snap-In for 18–20 Ga. Panels	26725-425	Blue	GX24q-5	DULUX T/E 57W	BIAX Q/E 57W
Bottom Snap-In for 16 Ga. Panels	26725-406	Red	GX24q-6	—	BIAX Q/E 70W
4-Hole Bottom Screw-Down	26725-416	Red	GX24q-6	—	BIAX Q/E 70W
2-Hole Bottom Screw-Down, Round Body	26725-4A6	Red	GX24q-6	—	BIAX Q/E 70W
Bottom Snap-In for 18–20 Ga. Panels	26725-426	Red	GX24q-6	—	BIAX Q/E 70W



SPECIFICATIONS & FEATURES

- “Smart” CFL Lampholders are color-coded for easy wattage identification
- Bottom Snap-In versions for easier panel assembly available for 16 Ga. and 18–20 Ga. panels
- All 4-pin lampholders have internal rejection feature that prevents insertion of 2-pin lamps
- Metal-spring lamp-retainer clip provides positive lamp retention
- Two wiring ports per contact speed harness wiring
- Wire-routing options for top or bottom side of mounting panel for easier assembly
- Bodies are white thermoplastic (with color-coding as indicated)
- Quick-connect push-in wiring terminals accept No. 18 AWG solid or twisted-and-overtinned leads, stripped 3/8 inch

TESTING & CODE COMPLIANCE

- UL Listed (File #E-5833)
- UL Listed for indoor and outdoor applications when properly enclosed
- CSA Certified (File #LR-1863)
- NOM Certified (#057)