





Sold by:





## 30 AMP Locking Devices

### 30 AMP 277V 2-Pole 3-Wire Grounding

| DESCRIPTION  | CAT. NO. | CORD DIA. (inches) | WIRE GAUGE (stranded) | NEMA CONFIG.  |
|--|----------|--------------------|-----------------------|---|
| Single Flush Receptacle  | 2630†    |                    |                       |   |
| Single Flush Receptacle, Isolated Ground                             | 2630-IG† |                    |                       |   |
| Locking Plug, Black Nylon Body                                       | 2631     | .385-.860          | 10-18                 | L7-30R   |
| Lighted Locking Plug, Black Nylon Body (check for availability)      | 2631-PLC | .385-.780          | 10-18                 | L7-30R   |
| Locking Connector, Black Nylon Body                                  | 2633     | .385-.860          | 10-18                 | L7-30P   |
| Lighted Locking Connector, Black Nylon Body (check for availability) | 2633-PLC | .385-.780          | 10-18                 | L7-30P  |
| Locking Flanged Inlet  | 2635     |                    |                       |   |
| Locking Flanged Outlet   | 2636     |                    |                       |   |





### 30 AMP 480V 2-Pole 3-Wire Grounding



| DESCRIPTION                              | CAT. NO. | CORD DIA. (inches) | WIRE GAUGE (stranded) | NEMA CONFIG.   |
|--|----------|--------------------|-----------------------|--|
| Single Flush Receptacle                  | 2640†    |                    |                       |  |
| Single Flush Receptacle, Isolated Ground | 2640-IG† |                    |                       |  |
| Locking Plug, Black Nylon Body           | 2641     | .385-.860          | 10-18                 | L8-30R  |
| Locking Connector, Black Nylon Body      | 2643     | .385-.860          | 10-18                 | L8-30P  |
| Locking Flanged Inlet                    | 2645     |                    |                       |  |
| Locking Flanged Outlet                   | 2646     |                    |                       |  |



### 30 AMP 600V 2-Pole 3-Wire Grounding

| DESCRIPTION                              | CAT. NO. | CORD DIA. (inches) | WIRE GAUGE (stranded) | NEMA CONFIG.   |
|--|----------|--------------------|-----------------------|--|
| Single Flush Receptacle                  | 2650†    |                    |                       |  |
| Single Flush Receptacle, Isolated Ground | 2650-IG† |                    |                       |  |
| Locking Plug, Black Nylon Body           | C2651    | .385-.860          | 10-18                 | L9-30R  |
| Locking Connector, Black Nylon Body      | C2653    | .385-.860          | 10-18                 | L9-30P  |
| Locking Flanged Inlet                    | 2655     |                    |                       |  |
| Locking Flanged Outlet                   | 2656     |                    |                       |  |

### 30 AMP 125/250V 3-Pole 3-Wire Non-Grounding

| DESCRIPTION                          | CAT. NO. | CORD DIA. (inches) | WIRE GAUGE (stranded) | NEMA CONFIG.  |
|--------------------------------------|----------|--------------------|-----------------------|---|
| Single Flush Receptacle★             | 2660-A†  |                    |                       |   |
| Locking Plug, Black Nylon Body★      | 2661     | .385-.860          | 10-18                 | L10-30R  |
| Locking Connector, Black Nylon Body★ | 2663     | .385-.860          | 10-18                 | L10-30P  |
| Locking Flanged Inlet★               | 2665     |                    |                       |   |
| Locking Flanged Outlet★              | 2666     |                    |                       |   |

†Uses stainless steel wallplate, Cat. No. 84020-40. For additional wallplate selections, please see Section G.

For Corrosion Resistant Locking Devices, please check pages K2-K5

Weather-Resistant Boots for 30A Locking Plugs and Connectors are listed on page J20

All devices are UL Listed. Also CSA certified except where indicated by★

#### SPECIFICATIONS & FEATURES

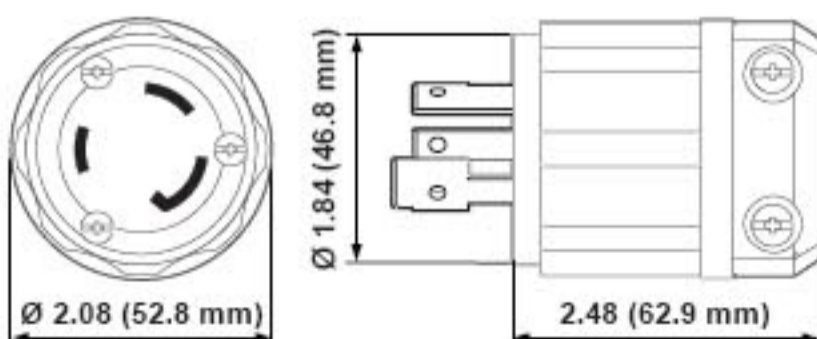
- Locking Receptacles feature a complete range of ratings and NEMA configurations, including isolated ground and non-grounding
- Locking Plugs and Connectors feature heavy-duty construction for top performance in the environmental extremes of grueling industrial settings
- Flanged Inlets and Outlets are built to endure hard use with rugged nylon flanges that assure a smooth, flush fit and outstanding resistance to cracking and breaking

#### TESTING & CODE COMPLIANCE

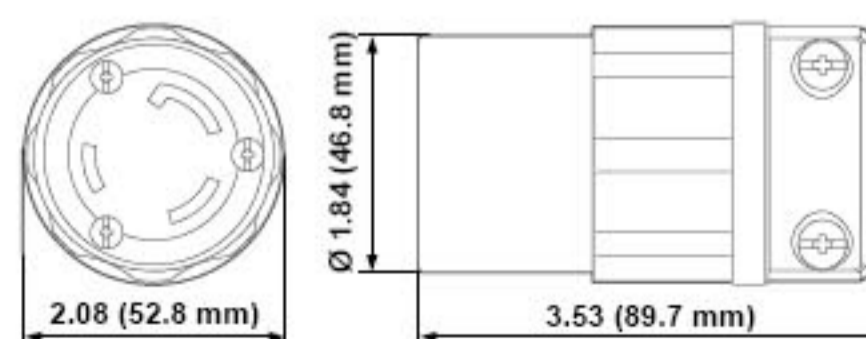
- All receptacles, plugs, connectors, inlets and outlets are designed to meet NEMA WD-6, and ANSI C-73, and to meet/exceed UL 498 standards
- UL Fed. Spec. Listed WC-596 (File #E-13399 - Cat. Nos., 2630, 2636, 2640, 2646, 2650, 2656, 2660, 2666; File #E-13393 - Cat. Nos. 2631, 2633, 2635, 2641, 2643, 2645, C2651, C2653, 2655, 2661, 2663, 2665)
- CSA Certified (File #LR-406)
- NOM Certified (#057)
- Backed by a Lifetime Warranty

#### MATERIAL CHARACTERISTICS

Environmental: Flammability per UL94 or CSA C22/06 Requirements  
Operating Temperature: -40°C to 60°C



LOCKING PLUG  
Cat. No. 2661



LOCKING CONNECTOR  
Cat. No. 2663

