

22/23 Series — Latching Ball Nose/Latching Taper Nose —

Up to 690 AMP,* 600V

*Refer to Ampacity Chart for all cable sizes on page JJ2

Protective Caps

	BALL NOSE		TAPER NOSE	
	MALE	FEMALE	MALE	FEMALE
COLOR	CAT. NO.	CAT. NO.	CAT. NO.	CAT. NO.
Black	22P21-E	22P22-E	23P21-E	23P22-E
White	22P21-W	22P22-W	23P21-W	23P22-W
Red	22P21-R	22P22-R	23P21-R	23P22-R



*Ball Nose—Thermoplastic Housing Panel Receptacle—Threaded Stud
(Cable Size: 250–350MCM)*

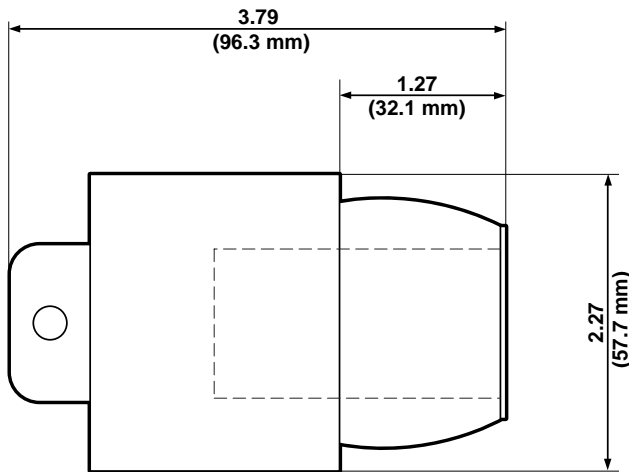
	MALE	FEMALE
COLOR	CAT. NO.	CAT. NO.
Black	22H21-E	22H22-E
White	22H21-W	22H22-W
Red	22H21-R	22H22-R

*Taper Nose—Thermoplastic Housing Panel Receptacle—Threaded Stud
(Cable Size: 350–500MCM)*

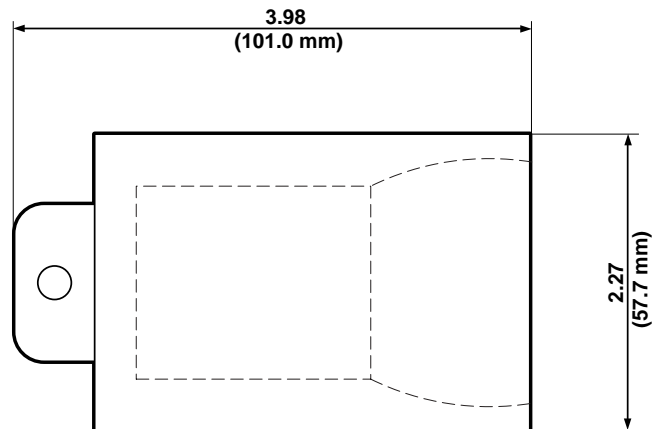
	MALE	FEMALE
COLOR	CAT. NO.	CAT. NO.
Black	23H21-E	23H22-E
White	23H21-W	23H22-W
Red	23H21-R	23H22-R

SPECIFICATIONS & FEATURES

- Leviton's Cam-Type positive latching connectors and receptacles are the standard used by Navy bases and shipyards in supplying 480 volts AC 3-phase power to ships at dockside. Our latching connector series has been thoroughly and successfully tested by ETL Laboratories to meet Navy specifications, including interchangeability with competition. Our latching connector series provides heavy duty, completely insulated connectors that are vibration-resistant and positively lock into place. Leviton latching connectors will not vibrate, twist or turn loose, ensuring high conductivity and maximum efficiency. Leviton contacts can be retrofitted to existing locations and power distribution systems. Our male contacts are designed to provide 40% more surface contact with the female vs. competitive products. The additional efficiency will help ensure greater conductivity while preventing burnout.
- The connectors and all components are completely interchangeable with competitive cam-type products.



MALE PROTECTIVE CAP
Cat. No. 22P21



FEMALE PROTECTIVE CAP
Cat. No. 22P22