





Sold by:





30 AMP Locking Devices

30 AMP 277V 2-Pole 3-Wire Grounding

DESCRIPTION	CAT. NO.	CORD DIA. (inches)	WIRE GAUGE (stranded)	NEMA CONFIG.
Single Flush Receptacle	2630†			
Single Flush Receptacle, Isolated Ground	2630-IG†			
Locking Plug, Black Nylon Body	2631	.385-.860	10-18	L7-30R 
Lighted Locking Plug, Black Nylon Body (check for availability)	2631-PLC	.385-.780	10-18	L7-30R 
Locking Connector, Black Nylon Body	2633	.385-.860	10-18	L7-30P 
Lighted Locking Connector, Black Nylon Body (check for availability)	2633-PLC	.385-.780	10-18	L7-30P 
Locking Flanged Inlet	2635			
Locking Flanged Outlet	2636			





30 AMP 480V 2-Pole 3-Wire Grounding

DESCRIPTION	CAT. NO.	CORD DIA. (inches)	WIRE GAUGE (stranded)	NEMA CONFIG.
Single Flush Receptacle	2640†			
Single Flush Receptacle, Isolated Ground	2640-IG†			
Locking Plug, Black Nylon Body	2641	.385-.860	10-18	L8-30R 
Locking Connector, Black Nylon Body	2643	.385-.860	10-18	L8-30P 
Locking Flanged Inlet	2645			
Locking Flanged Outlet	2646			





30 AMP 600V 2-Pole 3-Wire Grounding

DESCRIPTION	CAT. NO.	CORD DIA. (inches)	WIRE GAUGE (stranded)	NEMA CONFIG.
Single Flush Receptacle	2650†			
Single Flush Receptacle, Isolated Ground	2650-IG†			
Locking Plug, Black Nylon Body	C2651	.385-.860	10-18	L9-30R 
Locking Connector, Black Nylon Body	C2653	.385-.860	10-18	L9-30P 
Locking Flanged Inlet	2655			
Locking Flanged Outlet	2656			

SPECIFICATIONS & FEATURES

- Locking Receptacles feature a complete range of ratings and NEMA configurations, including isolated ground and non-grounding
- Locking Plugs and Connectors feature heavy-duty construction for top performance in the environmental extremes of grueling industrial settings
- Flanged Inlets and Outlets are built to endure hard use with rugged nylon flanges that assure a smooth, flush fit and outstanding resistance to cracking and breaking

30 AMP 125/250V 3-Pole 3-Wire Non-Grounding

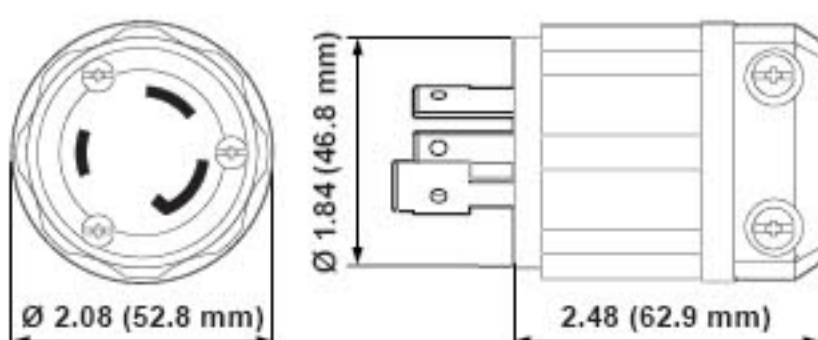
DESCRIPTION	CAT. NO.	CORD DIA. (inches)	WIRE GAUGE (stranded)	NEMA CONFIG.
Single Flush Receptacle★	2660-A†			
Locking Plug, Black Nylon Body★	2661	.385-.860	10-18	L10-30R 
Locking Connector, Black Nylon Body★	2663	.385-.860	10-18	L10-30P 
Locking Flanged Inlet★	2665			
Locking Flanged Outlet★	2666			

TESTING & CODE COMPLIANCE

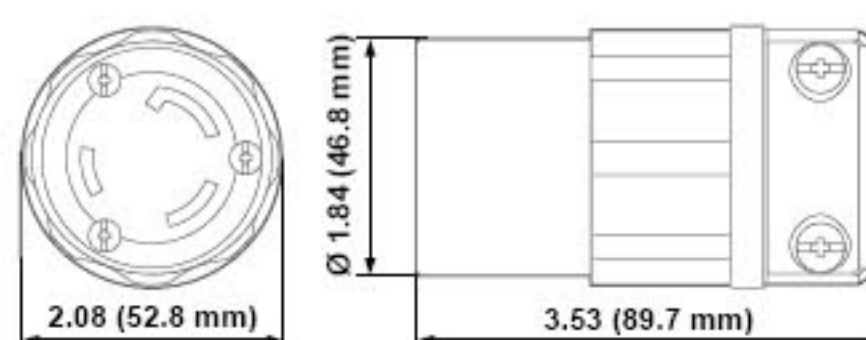
- All receptacles, plugs, connectors, inlets and outlets are designed to meet NEMA WD-6, and ANSI C-73, and to meet/exceed UL 498 standards
- UL Fed. Spec. Listed WC-596 (File #E-13399 - Cat. Nos., 2630, 2636, 2640, 2646, 2650, 2656, 2660, 2666; File #E-13393 - Cat. Nos. 2631, 2633, 2635, 2641, 2643, 2645, C2651, C2653, 2655, 2661, 2663, 2665)
- CSA Certified (File #LR-406)
- NOM Certified (#057)
- Backed by a Lifetime Warranty

MATERIAL CHARACTERISTICS

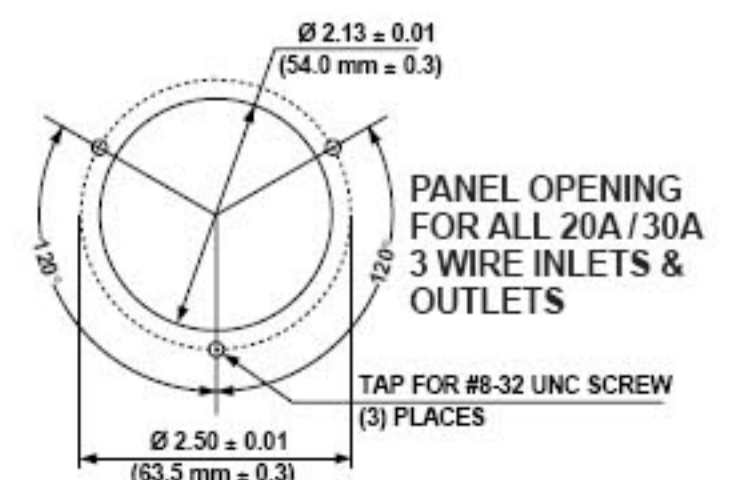
Environmental: Flammability per UL94 or CSA C22/06 Requirements
 Operating Temperature: -40°C to 60°C



LOCKING PLUG
 Cat. No. 2661



LOCKING CONNECTOR
 Cat. No. 2663



†Uses stainless steel wallplate, Cat. No. 84020-40. For additional wallplate selections, please see Section G.

For Corrosion Resistant Locking Devices, please check pages K2-K5

Weather-Resistant Boots for 30A Locking Plugs and Connectors are listed on page J20

All devices are UL Listed. Also CSA certified except where indicated by★