







30 AMP Locking Devices



30 AMP 3ØY 277/480V 4-Pole 4-Wire Non-Grounding

DESCRIPTION	CAT. NO.	CORD DIA. (inches)	WIRE GAUGE (stranded)	NEMA CONFIG.
Single Flush Receptacle*	2760†			
Locking Plug, Black Nylon Body*	2761	.595-1.150	10-18	L19-30R 
Locking Connector, Black Nylon Body*	2763	.595-1.150	10-18	
Locking Flanged Inlet*	2765			L19-30P 
Locking Flanged Outlet*	2766			



30 AMP 3ØY 347/600V 4-Pole 4-Wire Non-Grounding

DESCRIPTION	CAT. NO.	CORD DIA. (inches)	WIRE GAUGE (stranded)	NEMA CONFIG.
Single Flush Receptacle*	2770†			
Locking Plug, Black Nylon Body*	2771	.595-1.150	10-18	L20-30R 
Locking Connector, Black Nylon Body*	2773	.595-1.150	10-18	
Locking Flanged Inlet*	2775			L20-30P 
Locking Flanged Outlet*	2776			



30 AMP 3ØY 120/208V 4-Pole 5-Wire Grounding

DESCRIPTION	CAT. NO.	CORD DIA. (inches)	WIRE GAUGE (stranded)	NEMA CONFIG.
Single Flush Receptacle	2810†			
Single Flush Receptacle, Isolated Ground	2810-IG†			L21-30R 
Locking Plug, Black Nylon Body	2811	.595-1.150	10-18	
Locking Connector, Black Nylon Body	2813	.595-1.150	10-18	
Locking Flanged Inlet	2815			L21-30P 
Locking Flanged Outlet	2816			

30 AMP 3ØY 277/480V 4-Pole 5-Wire Grounding

DESCRIPTION	CAT. NO.	CORD DIA. (inches)	WIRE GAUGE (stranded)	NEMA CONFIG.
Single Flush Receptacle	2820†			
Single Flush Receptacle, Isolated Ground	2820-IG†			L22-30R 
Locking Plug, Black Nylon Body	2821	.595-1.150	10-18	
Locking Connector, Black Nylon Body	2823	.595-1.150	10-18	
Locking Flanged Inlet	2825			L22-30P 
Locking Flanged Outlet	2826			

30 AMP 3ØY 347/600V 4-Pole 5-Wire Grounding

DESCRIPTION	CAT. NO.	CORD DIA. (inches)	WIRE GAUGE (stranded)	NEMA CONFIG.
Single Flush Receptacle	2830†			
Single Flush Receptacle, Isolated Ground	2830-IG			L23-30R 
Locking Plug, Black Nylon Body	2831	.595-1.150	10-18	
Locking Connector, Black Nylon Body	2833	.595-1.150	10-18	
Locking Flanged Inlet	2835			L23-30P 
Locking Flanged Outlet	2836			

†Uses stainless steel wallplate, Cat. No. 84020-40. For additional wallplate selections, please see Section G.
For Corrosion Resistant Locking Devices, please check pages K2-K5
Weather-Resistant Boots for 30A Locking Plugs and Connectors are listed on page J20
All devices are UL Listed. Also CSA certified except where indicated by *

SPECIFICATIONS & FEATURES

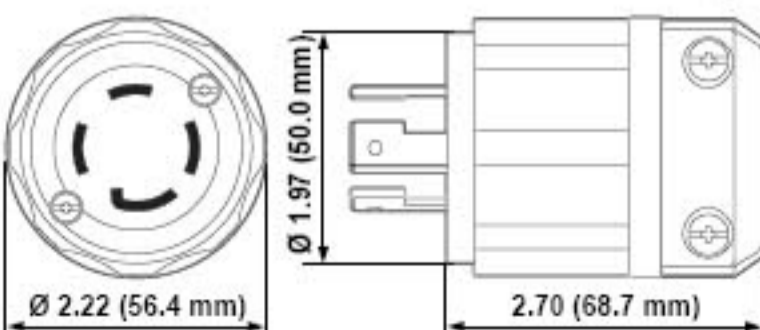
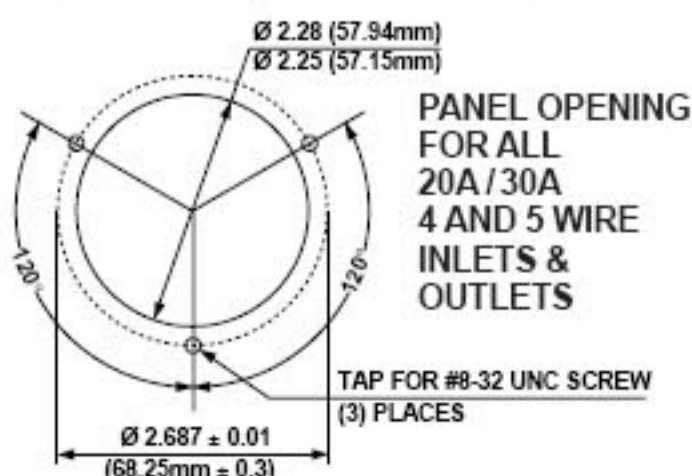
- Locking Receptacles feature a complete range of ratings and NEMA configurations, including isolated ground and non-grounding
- Locking Plugs and Connectors feature heavy-duty construction for top performance in the environmental extremes of grueling industrial settings
- Flanged Inlets and Outlets are built to endure hard use with rugged nylon flanges that assure a smooth, flush fit and outstanding resistance to cracking and breaking

TESTING & CODE COMPLIANCE

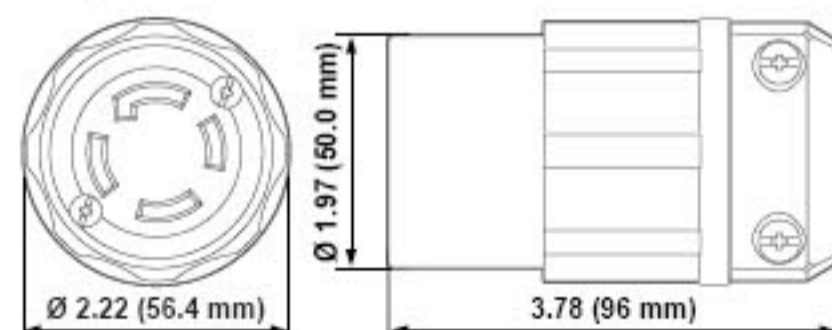
- All receptacles, plugs, connectors, inlets and outlets are designed to meet NEMA WD-6, and ANSI C-73, and to meet/exceed UL 498 standards
- UL Fed Spec. Listed WC-596 (File #E-13399 — Cat. Nos. 2760, 2766, 2770, 2776, 2810, 2816, 2820, 2826, 2830, 2836; File #E-13393 — Cat. Nos. 2761, 2763, 2765, 2771, 2773, 2775, 2811, 2813, 2815, 2821, 2823, 2825, 2831, 2833, 2835)
- CSA Certified (File #LR-406)
- NOM Certified (#057)
- Backed by a Lifetime Warranty

MATERIAL CHARACTERISTICS

Environmental: Flammability per UL94 or CSA C22/06 Requirements
Operating Temperature: -40°C to 60°C



LOCKING PLUG
Cat. No. 2761



LOCKING CONNECTOR
Cat. No. 2763