

Sold by:



Wetguard™ Locking Devices



Wetguard™ Devices Engineered to IP66 & IP67 Watertight Standards

Wetguard™ Locking Plugs and Connectors

DESCRIPTION	CAT. NO. PLUG	CAT. NO. CONNECTOR
High-Visibility Yellow, 20A-125/250V 3-Pole, 4-Wire	26W74 L14-20P	27W74 L14-20R
High-Visibility Yellow, 20A-3Ø 250V 3-Pole, 4-Wire	26W75 L15-20P	27W75 L15-20R
High-Visibility Yellow, 20A-3Ø 480V 3-Pole, 4-Wire	26W76 L16-20P	27W76 L16-20R
High-Visibility Yellow, 20A-3ØY 120/208V 4-Pole, 5-Wire	26W81 L21-20P	27W81 L21-20R
Black, 20A-3ØY 120/208V 4-Pole, 5-Wire	26W81-B L21-20P	27W81-B L21-20R
High-Visibility Yellow, 20A-3ØY 277/480V 4-Pole, 5-Wire	26W82 L22-20P	27W82 L22-20R
High-Visibility Yellow, 20A-3ØY 347/600V 4-Pole, 5-Wire	26W83 L23-20P	27W83 L23-20R



Wetguard™ Non-NEMA, Non-Grounding Devices (For Replacement Use Only)

DESCRIPTION	CAT. NO. PLUG	CAT. NO. CONNECTOR
High-Visibility Yellow, 20A-125/250V 3-Pole, 3-Wire★	26W08 NON-NEMA	27W08 NON-NEMA
High-Visibility Yellow, 20A-3ØY 120/208V 4-Pole, 4-Wire★	26W09 NON-NEMA	27W09 NON-NEMA

SPECIFICATIONS & FEATURES

- Wetguard**
- IEC IP66 and IP 67 Rated, in accordance with IEC 529 as evaluated by UL and CSA
 - NEMA Type 4, 4X, 6 and 6P Ratings in accordance with UL 50 and CSA 94
 - Outstanding resistance to wet and damp environments, extreme temperature variations, acids, alkalis, grease, oils and solvents
 - Effective "tongue and groove" construction seals out water, moisture, dirt when plugs are mated with connectors
 - Innovative strain-relief grips cables securely, keeps out water and moisture
 - Cord clamp range for 20A devices: 18/3-10/5 SO, ST, SJ (.375"-.870")
 - Non-magnetic stainless steel fast-threading assembly screws won't interfere with sensitive equipment
 - Connector "hood" closure cap seals device when not in use

TESTING & CODE COMPLIANCE

- Meet NEMA WD 1 & 6, ANSI requirements
- UL Listed & meets Fed. Spec. requirements: (File #13393)
- CSA Certified (File #LR-406)
- NOM Certified (#057)
- Backed by a Lifetime Warranty

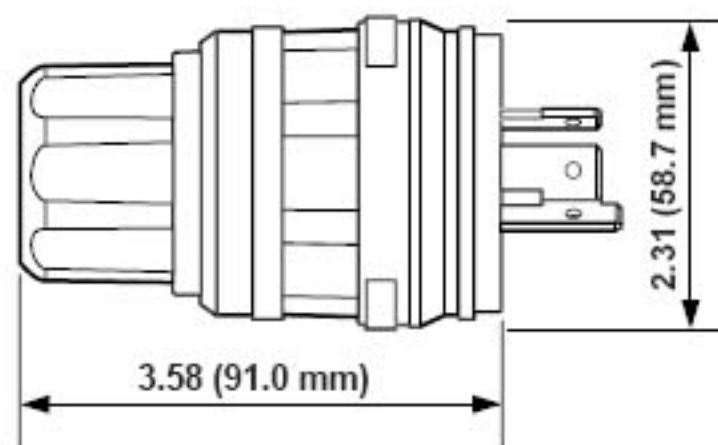
MATERIAL CHARACTERISTICS

Environmental: Flammability, Rated V2
 Operating Temperature: -40°C to 60°C

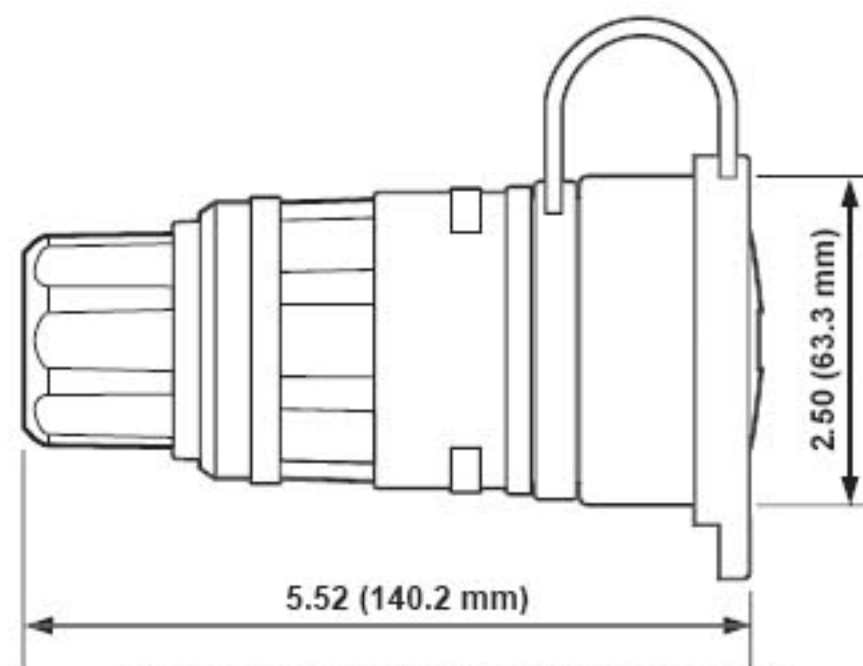
Replacement Closure Cap

DESCRIPTION	CAT. NO.
Replacement Connector Closure Cap for 20A devices	50W52

All locking devices are UL Listed. Also CSA certified except where indicated by★



WETGUARD™ 20A LOCKING PLUG



WETGUARD™ 20A LOCKING CONNECTOR