



## 22/23 Series — Latching Ball Nose/Latching Taper Nose — Up to 690 AMP,\* 600V

\*Refer to Ampacity Chart for all cable sizes on page JJ2

### Ball Nose—In-Line Latching Male Connectors—Crimped (Cable Size: 500–750MCM)

COLOR	COMPLETE CAT. NO.	CONTACT CAT. NO.	INSULATOR CAT. NO.
Black	22L23-E	22L23-C	22SVM-E
White	22L23-W	22L23-C	22SVM-W
Red	22L23-R	22L23-C	22SVM-R

### Ball Nose—In-Line Latching Female Connectors—Crimped (Cable Size: 500–750MCM)

COLOR	COMPLETE CAT. NO.	CONTACT CAT. NO.	INSULATOR CAT. NO.
Black	22L26-E	22L26-C	22SVF-E
White	22L26-W	22L26-C	22SVF-W
Red	22L26-R	22L26-C	22SVF-R

#### SPECIFICATIONS & FEATURES

- Leviton's Cam-Type positive latching connectors and receptacles are the standard used by Navy bases and shipyards in supplying 480 volts AC 3-phase power to ships at dockside. Our latching connector series has been thoroughly and successfully tested by ETL Laboratories to meet Navy specifications, including intermateability with competition. Our latching connector series provides heavy duty, completely insulated connectors that are vibration-resistant and positively lock into place. Leviton latching connectors will not vibrate, twist or turn loose, ensuring high conductivity and maximum efficiency. Leviton contacts can be retrofitted to existing locations and power distribution systems. Our male contacts are designed to provide 40% more surface contact with the female vs. competitive products. The additional efficiency will help ensure greater conductivity while preventing burnout.
- The connectors and all components are completely interchangeable with competitive cam-type products.

### Taper Nose—In-Line Latching Male Connectors—Crimped (Cable Size: 250–350MCM)

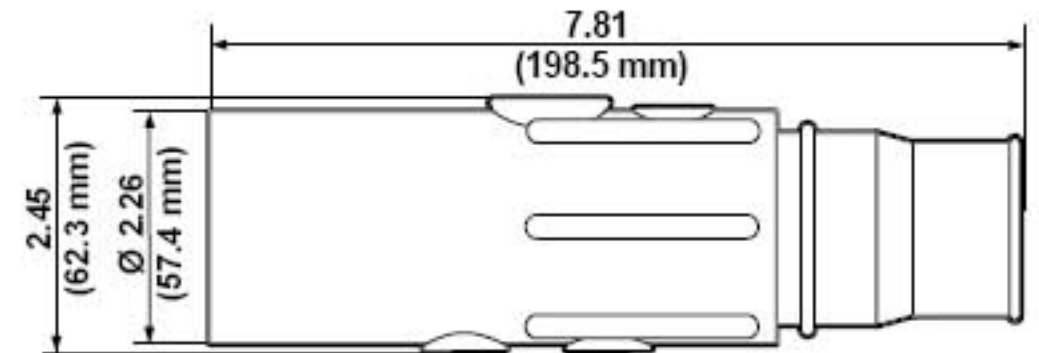
COLOR	COMPLETE CAT. NO.	CONTACT CAT. NO.	INSULATOR CAT. NO.
Black	23L21-E	23L21-C	23SVM-E
White	23L21-W	23L21-C	23SVM-W
Red	23L21-R	23L21-C	23SVM-R

### Taper Nose—In-Line Latching Female Connectors—Crimped (Cable Size: 250–350MCM)

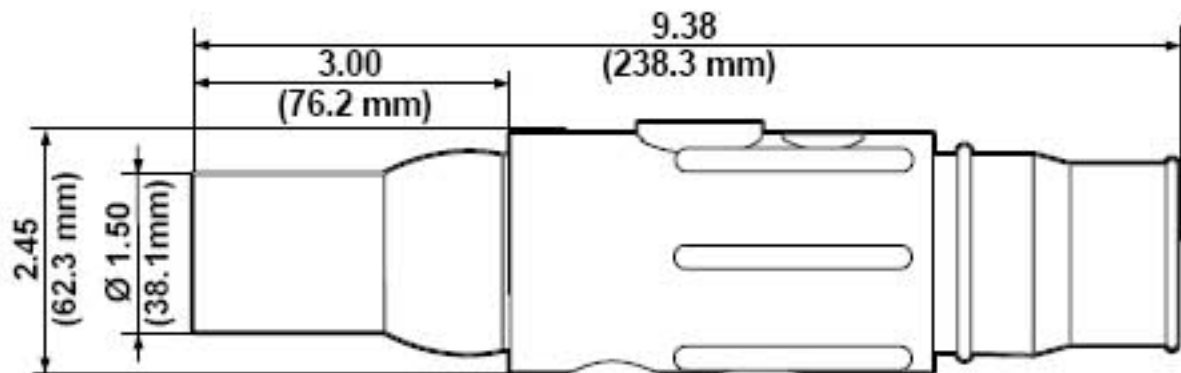
COLOR	COMPLETE CAT. NO.	CONTACT CAT. NO.	INSULATOR CAT. NO.
Black	23L24-E	23L24-C	23SVF-E
White	23L24-W	23L24-C	23SVF-W
Red	23L24-R	23L24-C	23SVF-R

#### TESTING & CODE COMPLIANCE

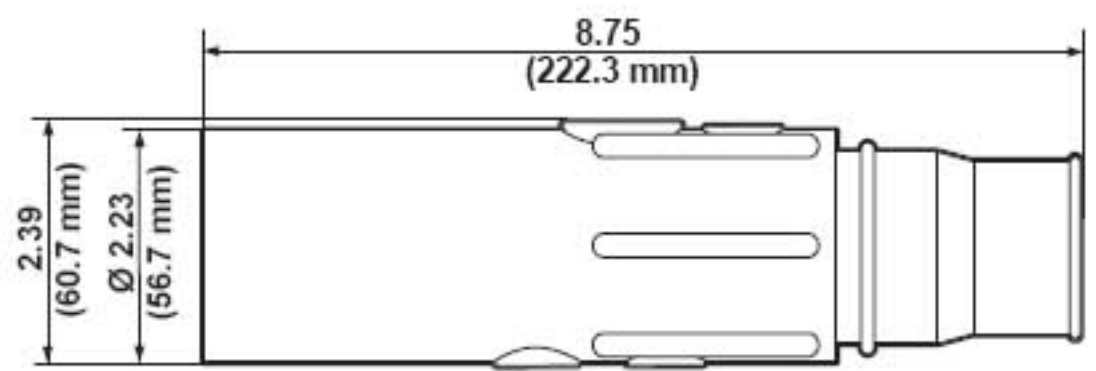
- ETL Tested, Report #521300
- Waterproof (when vulcanized) and fire-resistant for outside usage



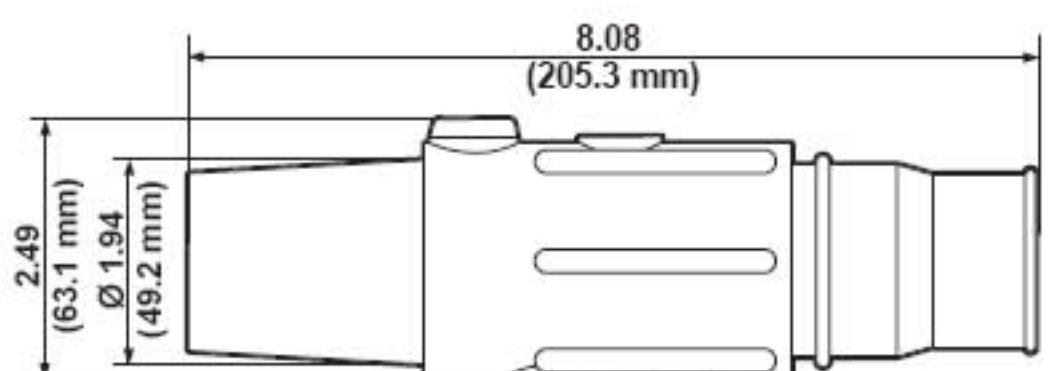
BALL NOSE IN-LINE LATCHING MALE CONNECTORS—CRIMPED  
Cat. No. 22L23



BALL NOSE IN-LINE LATCHING FEMALE CONNECTORS—CRIMPED  
Cat. No. 22L26



TAPER NOSE IN-LINE LATCHING MALE CONNECTORS—CRIMPED  
Cat. No. 23L21



TAPER NOSE IN-LINE LATCHING FEMALE CONNECTORS—CRIMPED  
Cat. No. 23L24