

Candle Sockets — Porcelain

Candelabra Base Screw Terminals

DESCRIPTION	CAT. NO.	RATING
Solid Hickey.* Overall Height: 2 ³ / ₃₂ "★	20025	75W 125V

*Other hickey sizes available

Keyless Heavy Duty Phenolic Single Circuit Lampholders

Two-Piece Pin Type

DESCRIPTION	CAT. NO.	RATING
Candelabra Base, Detachable Zinc-Plated Wire Hook. Accepts No. 20 – No. 18 Stranded Insulated Wire	267**	75W 125V
Medium Base, Detachable Zinc-Plated Wire Hook. Accepts No. 14 – No. 12 Stranded Insulated Wire	167**	660W 250V

Note: Linings assembled.

**For temporary lighting — not waterproof.

Pigtail Type Medium Base with Leads

DESCRIPTION	CAT. NO.	RATING
Vinyl, Phenolic Interior & Screw Shell, Brass Shell Contact. Leads are No. 14 AWG, 6" Long, Stripped 3/4", Molded into Boots	55**	660W 250V
Phenolic with Brass Screw Shell. Leads Soldered and Hot Waxed in Deep Well are No. 14 AWG 6" Long	157**	660W 250V
Same as 157 above, with Left-Hand Screw Shell	157-X**	660W 250V
Rubber, Aluminum Screwshell. Leads are No. 16 AWG, 6" Long, Soldered to Terminals and Sealed in Rubber Boot★	124-D	660W 250V

**For temporary lighting—not waterproof.

All devices are UL Listed except Cat.No. 124-D. Also CSA Certified except where indicated by★

Note: The listed products may be used at construction sites provided that bulb cages are used and suitable splices are made. The listing for the products meets the OSHA requirement and is made for open wiring without a separate outlet box.

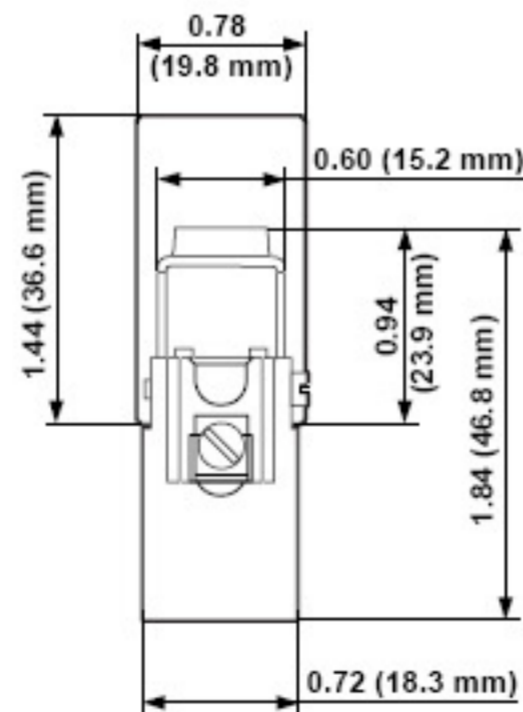


SPECIFICATIONS & FEATURES

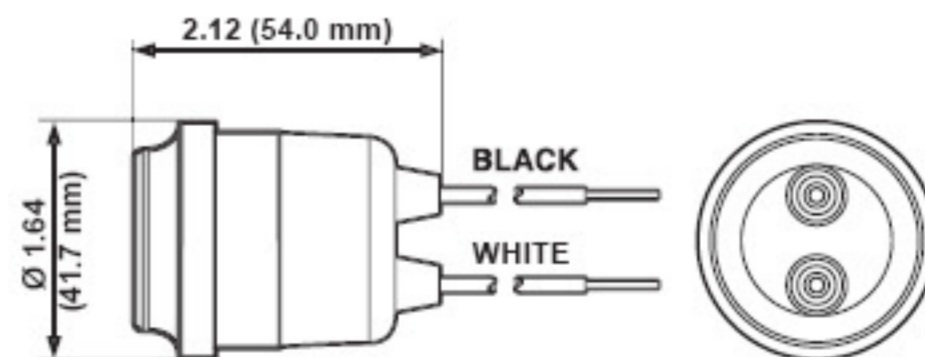
- Candle socket has white unglazed porcelain body with aluminum screw shell
- Choice of Pin-Type or Pigtail Type for temporary lighting applications
- Two-Piece Pin Type automatically pierces wire leads

TESTING & CODE COMPLIANCE

- UL Listed (File #E-13400) 267**
- UL Listed (File #E-3810) 55**, 157**, 157-X** and 167**
- CSA Certified (File #LR-1863)



Cat No. 20025



Cat. No. 55

Sold by:

