

### Boots for 15 AMP Industrial Locking Plugs and Connectors

DESCRIPTION	CAT. NO.
Locking Plug Boot, Black Thermoplastic Elastomer	6017-L
Locking Plug Boot, High-Visibility Yellow Thermoplastic Elastomer	6017-LY
Locking Connector Boot, Black Thermoplastic Elastomer	6018-L
Locking Connector Boot, High Visibility Yellow Thermoplastic Elastomer	6018-LY

### Boots for 3-Wire 20 AMP & 30 AMP Industrial Locking Plugs and Connectors

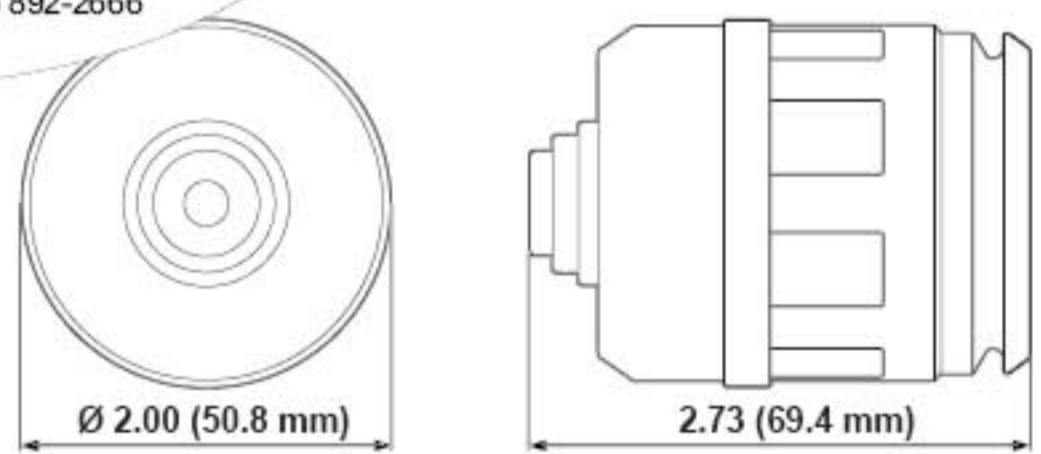
DESCRIPTION	CAT. NO.
3-wire Locking Thermoplastic Elastomer Plug Boot, Black	6031
3-wire Locking Thermoplastic Elastomer Plug Boot, High Visibility Yellow	6031-Y
3-wire Locking Thermoplastic Elastomer Connector Boot, Black	6032
3-wire Locking Thermoplastic Elastomer Connector Boot, High Visibility Yellow	6032-Y

### Boots for 4 and 5-Wire 20 AMP & 30 AMP Industrial Locking Plugs and Connectors

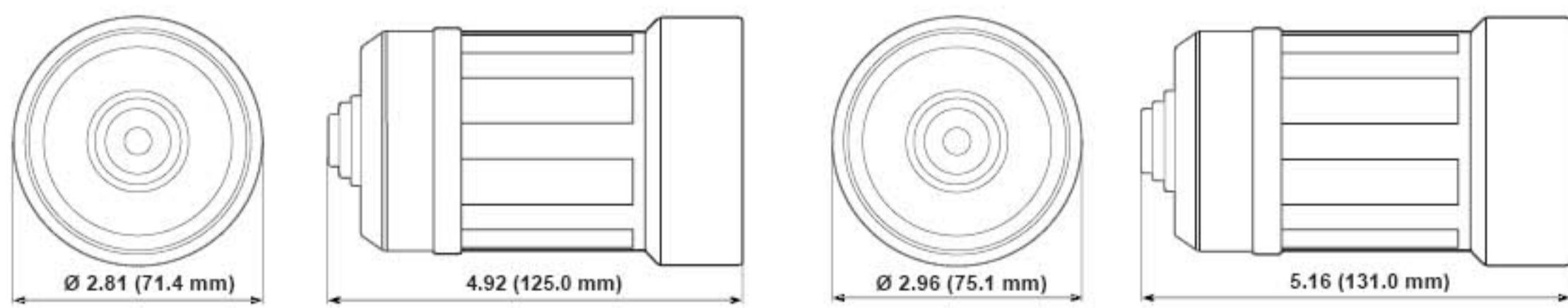
DESCRIPTION	CAT. NO.
4 & 5-wire Locking Thermoplastic Elastomer Plug Boot, black	6033
4 & 5-wire Locking Thermoplastic Elastomer Plug Boot, High Visibility Yellow	6033-Y
4 & 5-wire Locking Thermoplastic Elastomer Connector Boot, black	6034
4 & 5-wire Locking Thermoplastic Elastomer Connector Boot, High Visibility Yellow	6034-Y



Sold by:



LOCKING PLUG BOOT  
Cat. No. 6017-L



3-WIRE LOCKING CONNECTOR BOOT  
Cat. No. 6032

4 & 5-WIRE LOCKING CONNECTOR BOOT  
Cat. No. 6034

#### SPECIFICATIONS & FEATURES

- Feature a triple seal action to protect straight blade and locking plugs and connectors against dirt and moisture in harsh applications
- Plug and connector boots available in black and high-visibility yellow
- Fluted surface and grip-ring design provide a non-slip grip even in wet conditions

#### WARRANTY

- Backed by a Lifetime Warranty

#### MATERIAL CHARACTERISTICS

Environmental: Flammability, Rated HB  
 Operating Temperature: -40°C to 90°C