



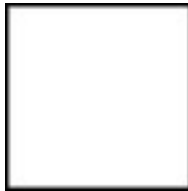
ML2-PB

Description

15 Amp, 125 Volt, NEMA ML2P, 2P, 3W, Flanged Inlet Locking Receptacle, Industrial Grade, Grounding, MiniLock - White

Product Features

Color: White



Grounding: Grounding

Feature: MiniLock

Amperage: 15 Amp

Voltage: 125 Volt

NEMA: ML2P

Pole: 2

Wire: 3

Termination: Back

Face Material: Nylon

Body Material: Nylon

Strap Material: Thermoplastic Nylon

Color: White

Standards and Certifications: UL/CSA

Warranty: Lifetime Warranty

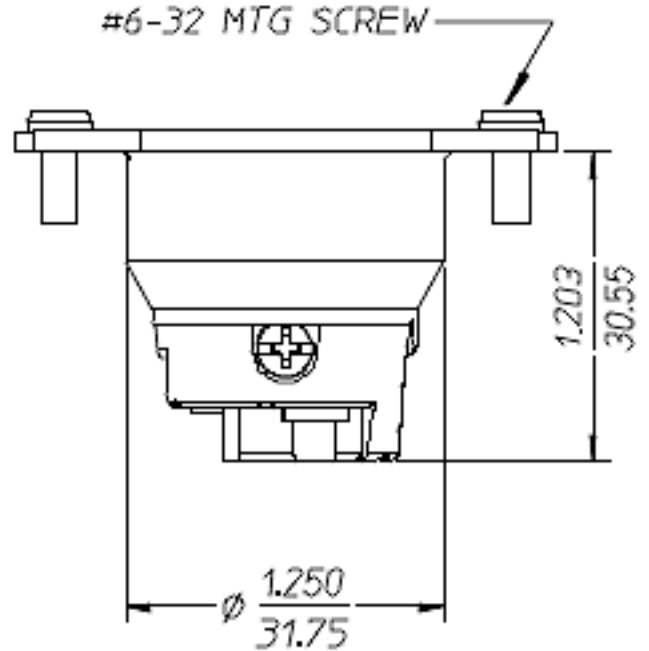
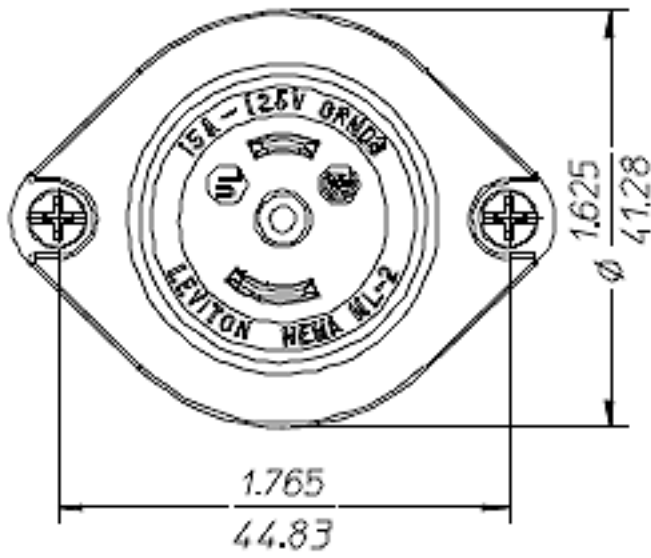
Electrical Specifications	
Dielectric Voltage	Withstands 2000V per UL498
Current Limiting	Full Rated Current
Temperature Rise	Max 30C after 250 cycles OL at 200 percent rated current

Material Specifications	
Face Material	Nylon
Body Material	Nylon
Line Contacts	Solid Brass
Terminal Screws	Brass 10-32
Grounding Screw	Brass 8-32

Standards and Certifications	
NEMA	WD-6
ANSI	C-73
UL498	File E13393
UL Fed Spec WC-596	File E13393
CSA C22.2 No. 42	File LR-406
NOM	057

Environmental Specifications	
Flammability	Rated V-2 per UL94
Operating Temperature	-40C to 60C

Mechanical Specifications	
Terminal ID	Brass-Hot, Green-Ground, White-Neutral
Terminal Accom.	18-14 AWG
Product ID	Ratings and NEMA I.D. permanently marked on device



SPECIFICATION SUBMITTAL

JOB NAME:	CATALOG NUMBERS:	
<input type="text"/>	<input type="text"/>	<input type="text"/>
JOB NUMBER:	<input type="text"/>	<input type="text"/>

Leviton Manufacturing Co., Inc.

201 North Service Road, Melville, NY 11747
 Telephone: 1-800-323-8920 · FAX: 1-800-832-9538 · Tech Line (8:30AM-7:30PM E.S.T. Monday-Friday): 1-800-824-3005

Leviton Manufacturing of Canada, Ltd.

165 Hymus Boulevard, Pointe Claire, Quebec H9R 1E9 · Telephone: 1-800-469-7890 · FAX: 1-800-824-3005

Leviton S. de R.L. de C.V.

Lago Tana 43, Mexico DF, Mexico CP 11290 · Tel.: (+52)55-5082-1040 · FAX: (+52)5386-1797 · www.leviton.com.mx



Visit our Website at: www.leviton.com

© 2007-2009 Leviton Manufacturing Co., Inc. All rights reserved. Subject to change without notice.

