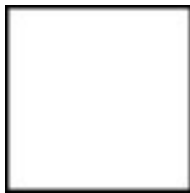




Color: White



ML1-PER

Description

15 Amp, 125 Volt, NEMA ML-1R, 2P, W, Flanged Outlet Locking Receptacle, Industrial Grade, Non-Grounding, MiniLock - White

Product Features

Grounding: Non-Grounding

Feature: MiniLock

Amperage: 15 Amp

Voltage: 125 Volt

NEMA: ML-1R

Pole: 2

Termination: Back

Face Material: Nylon

Body Material: Nylon

Strap Material: Thermoplastic Nylon

Color: White

Standards and Certifications: UL/CSA

Warranty: Lifetime Warranty

Electrical Specifications	
Dielectric Voltage	Withstands 2000V per UL498
Current Limiting	Full Rated Current
Temperature Rise	Max 30C after 250 cycles OL at 200 percent rated current

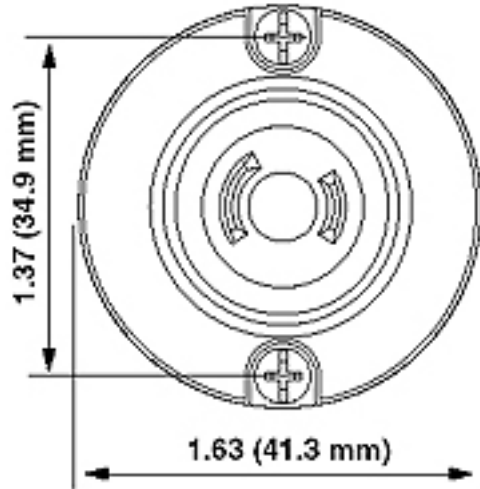
Material Specifications	
Face Material	Nylon
Body Material	Nylon
Line Contacts	Brass .035 Thick
Terminal Screws	Brass 10-32
Grounding Screw	Brass 8-32

Standards and Certifications	
NEMA	WD-6
ANSI	C-73
UL498	File E13399
UL Fed Spec WC-596	File E13399
CSA C22.2 No. 42	File LR-406
NOM	057

Environmental Specifications	
Flammability	Rated V-2 per UL94
Operating Temperature	-40C to 60C

Mechanical Specifications	
Terminal ID	Brass-Hot, Green-Ground, White-Neutral
Terminal Accom.	18-14 AWG
Product ID	Ratings and NEMA I.D. permanently marked on device

Dimensional Diagram



SPECIFICATION SUBMITTAL

JOB NAME: <input type="text"/>	CATALOG NUMBERS: <input type="text"/>	
JOB NUMBER: <input type="text"/>	<input type="text"/>	<input type="text"/>

Leviton Manufacturing Co., Inc.

201 North Service Road, Melville, NY 11747

Telephone: 1-800-323-8920 · FAX: 1-800-832-9538 · Tech Line (8:30AM-7:30PM E.S.T. Monday-Friday): 1-800-824-3005

Leviton Manufacturing of Canada, Ltd.

165 Hymus Boulevard, Pointe Claire, Quebec H9R 1E9 · Telephone: 1-800-469-7890 · FAX: 1-800-824-3005

Leviton S. de R.L. de C.V.

Lago Tana 43, Mexico DF, Mexico CP 11290 · Tel.: (+52)55-5082-1040 · FAX: (+52)5386-1797 · www.leviton.com.mx



Visit our Website at: www.leviton.com

© 2007-2009 Leviton Manufacturing Co., Inc. All rights reserved. Subject to change without notice.

