

# Combination Locking & Straight Blade/Integrated Inlets & Outlets



## Industrial Grade

### Combination Locking and Straight Blade Duplex Receptacle

15 AMP 125V 2-Pole 3-Wire Grounding Back and Side Wired

DESCRIPTION	CAT. NO.	NEMA CONFIG.
Duplex Combination Locking & Straight Blade Receptacle with Common Feed	4792	L5-15R
Duplex Combination Locking & Straight Blade Receptacle with 2 Hot Feeds, 1 Neutral Return	4794-1R	5-15R
Duplex Combination Locking & Straight Blade Receptacle with Split Feed — 2 Hot Feeds, 2 Neutral Returns	4795-2R	5-15R



### Integrated Power Inlets and Outlets with Weather-Resistant Covers

- Engineered to IP 64 and NEMA 3R Protection Ratings
- Suitable for Industrial Indoor and Outdoor Use

Integrated Power Inlets and Outlets with Weather-Resistant Covers Gray, Glass-Filled Thermoplastic Cover and White, Nylon Device

DESCRIPTION	CAT. NO. FLANGED INLET	CAT. NO. FLANGED OUTLET
Standard Wire Wells, 15A-125V 2-Pole, 3-Wire	4716-CWP NEMA L5-15P	4715-CWP NEMA L5-15R
Slots for Fork Terminals, 15A-125V 2-Pole, 3-Wire	4716-FWP NEMA L5-15P	4715-FWP NEMA L5-15R
Standard Wire Wells, 15A-250V 2-Pole, 3-Wire	4586-CWP NEMA L6-15P	4585-CWP NEMA L6-15R



### SPECIFICATIONS & FEATURES

#### Combination Devices

- Impact-resistant black thermoplastic nylon face and body
- Smooth face does not collect dirt
- Large, triple-wide brass "T" contacts for superior contact and conductivity
- Triple-combination terminal screws
- Back and side wire options accept #10-#14 AWG stranded or solid wire

#### Integrated Devices

- Glass-filled thermoplastic cover and plate provide outstanding impact resistance and durability
- Dual gaskets, one under plate and one under lid, for weather-resistant fit
- Stainless steel external hardware resists corrosive effects of moisture
- Large thumb-tab makes it easy to open cover with gloved hand
- Mounts to panels or FS/FD boxes
- UL Listed and CSA Certified for wet locations with cover closed

### TESTING & CODE COMPLIANCE

#### Combination Devices

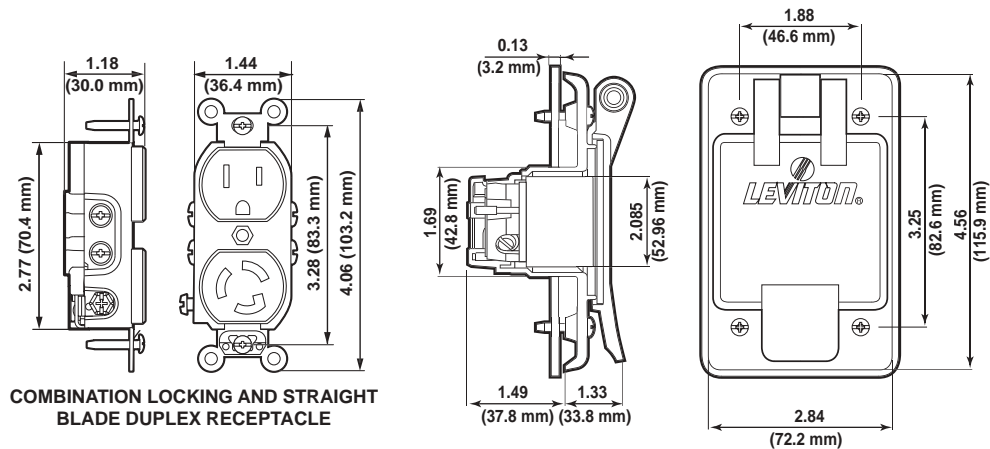
- UL Listed (File #E-13393)
- CSA Certified (File #LR-406)
- NOM Certified (#057)
- Backed by a Limited 10-Year Warranty

#### Integrated Devices

- UL Listed (File #E-13397)
- CSA Certified (File #LR-16347)
- NOM Certified (#057)
- IP 64 Suitability Rating (protected against dust and splashing water)
- NEMA Type 3R Enclosure Rating when properly installed (protected against rain, sleet and damage from external ice formations)
- Backed by a Limited 2-Year Warranty

All devices are UL Listed and CSA Certified.

**Note:** For straight blade configurations, please see Section H.



### MATERIAL CHARACTERISTICS

#### Combination Devices

Environmental: Flammability, Rated V2  
Operating Temperature: -40°C (without impact) to 60°C maximum continuous

#### Integrated Devices

Environmental: VO Flammability Rating per UL 94  
Operating Temperature: -40°C to 60°C

