

Sold by:



96-034(034C) / rev 3 /12-12-03

RSH Series Custom Rackmount

EIA Compliant

UL US LISTED



www.middleatlantic.com

The RSH Series Custom Rackmount can install virtually any component in a standard 19" enclosure. Custom cut to provide a perfect opening for the face of the component you are mounting

Features

- Custom cut to provide perfect opening
- Cutout openings for components sized within 1/32"
- Assembles easily in minutes
- Rear brackets included to prevent mounted component from sliding back
- Accepts any component up to 18 3/4" wide (maximum width of opening 17 3/4")
- Choice of three finishes: black brushed and anodized, silver brushed and anodized, and black textured powder coat
- Optional rubber-lined captivating clamps available for use in mobile applications and installations in seismic zones
- Face plates may also be ordered separately (model AFACE, CFACE, SFACE)
- UL Listed in the US and Canada



RSH4C
custom rackmount
silver brushed and anodized



RSH4A
custom rackmount
black brushed and anodized



RSH4A
custom rackmount
with unit installed



RSH4A
clamp option with
unit installed

Also available



RSH Custom LCD Mounts,
see A&E specification
96-999

Architects' and Engineers' Specifications

EIA compliant 19" custom rackmount shall be Middle Atlantic Products model # RSH4(A,C,S) custom fit to accommodate the component installed in RSH (A- black brushed and anodized, C- silver brushed and anodized, S- textured black powder coat). RSH series custom rackshelf shall be constructed of the following materials: vented bottoms and side panels (ears) shall be 16-gauge steel with a durable flat black powder coat finish, faceplate shall be .063" thick aluminum. Custom Rackshelf shall be UL Listed in the US and Canada. Clamp kit for RSH series custom rackshelf shall be Middle Atlantic Products part # -C. Clamp kit shall be constructed of 16-gauge steel and finished in a durable black powder coat.

OPTIONS

- Clamp kit for use in mobile applications and installations in seismic zones, part # -C

electronic version available at www.middleatlantic.com

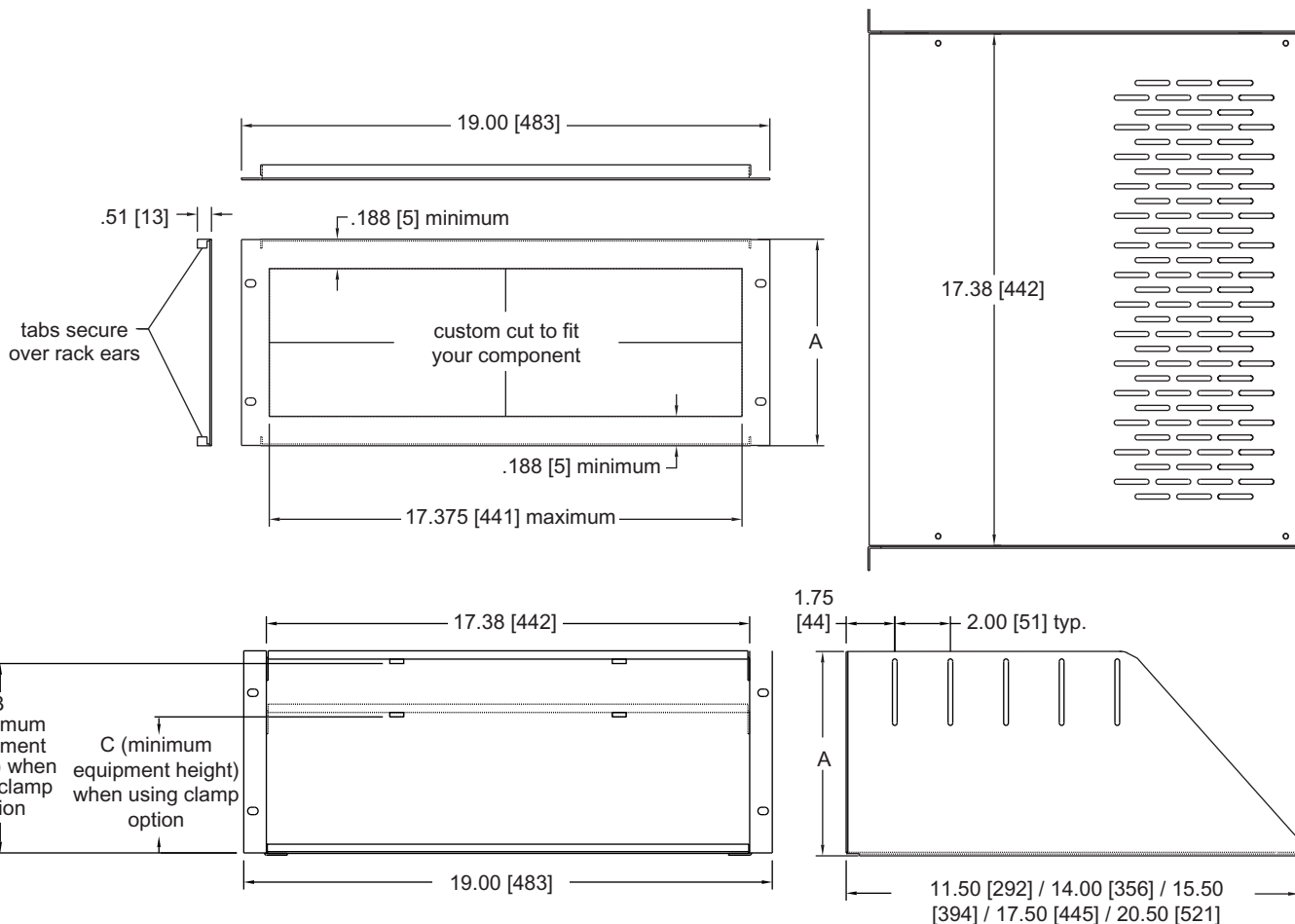
Engineered Mounting Solutions for Low Voltage Applications

US: Riverdale, NJ • Simi Valley, CA • Harvey, IL • Voice: 973-839-1011 Fax: 973-839-1976 • www.middleatlantic.com
Canada: Ottawa, ON • Port Coquitlam, BC • Voice: 613-836-2501 Fax: 613-836-2690 • www.middleatlantic.ca

96-034(034C) / rev 3 / 12-12-03 / RSH Series Custom Rackmount

RSH basic dimensions

All dimensions in inches unless otherwise noted [All dimensions in brackets are millimeters]



RACKSPACES	OPTIONAL CLAMP		
	A	B	C
2 space	3.50 [89]	2.85 [72]	1.04 [26]
3 space	5.25 [133]	4.60 [117]	2.79 [71]
4 space	7.00 [178]	6.35 [161]	4.54 [115]
5 space	8.75 [222]	8.10 [206]	6.29 [160]
6 space	10.50 [267]	9.85 [250]	8.04 [204]
7 space	12.25 [311]	11.60 [295]	9.79 [249]
8 space	14.00 [356]	13.35 [339]	11.54 [293]
9 space	15.75 [400]	15.10 [384]	13.29 [338]
10 space	17.50 [445]	16.85 [428]	15.04 [382]
11 space	19.25 [489]	18.60 [472]	16.79 [427]
12 space	21.00 [533]	20.35 [517]	18.54 [471]

PART #	FINISH
RSH4A	black brushed and anodized
RSH4C	silver brushed and anodized
RSH4S	black textured powder coat
-C	clamp kit for all above
AFACE	black anodized face plate only
CFACE	silver anodized face plate only
SFACE	black textured face plate only

