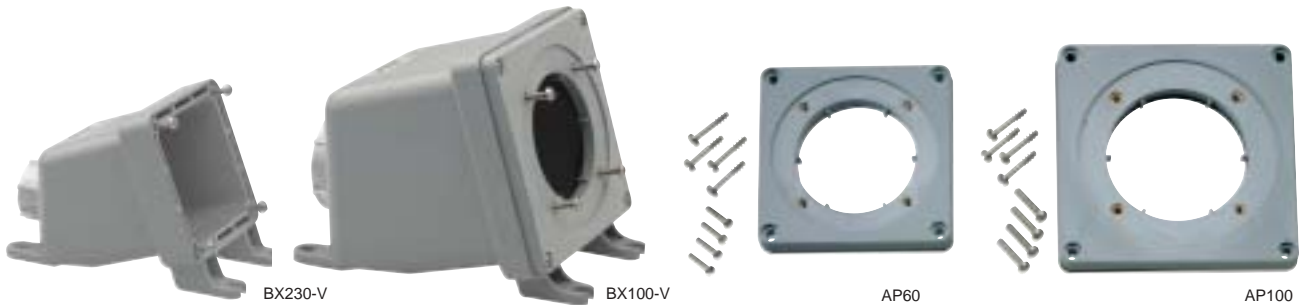


2 YEAR LIMITED WARRANTY



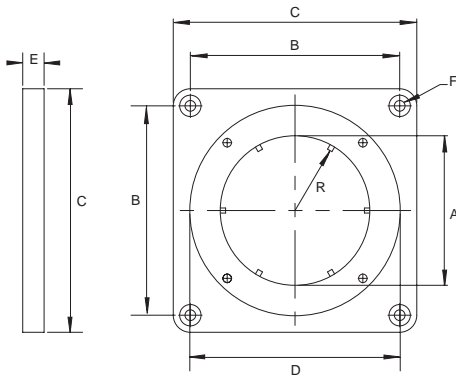
(Same Geometry as BX60-V)

**Valox® Back Boxes for Watertight Inlets & Receptacles**

APPLICATION	CATALOG NO.
<b>20 &amp; 30 Amp</b> No Adapter Plate Required	<b>BX230-V</b>
<b>60 Amp</b> Adapter Plate Included	<b>BX60-V</b>
<b>100 Amp</b> Adapter Plate Included	<b>BX100-V</b>

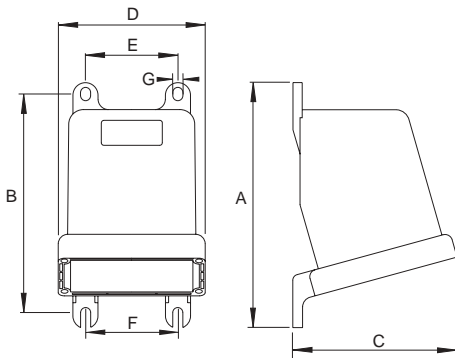
**Replacement Valox® Adapter Plates for Leviton & Hubbell Back Boxes**

APPLICATION	CATALOG NO.
<b>60 Amp</b> Watertight Inlets & Receptacles	<b>AP60</b>
<b>100 Amp</b> Watertight Inlets & Receptacles	<b>AP100</b>



**Dimensions for Valox® Adapter Plates**

UNIT	A	B	C	D	E	F	R
<b>60 Amp</b>							
inch	2.78	3.86	4.50	3.88	.40	.20	1.28
mm	70	98	114	98.5	10	5	32.5
<b>100 Amp</b>							
inch	3.23	4.88	5.50	4.60	.40	.22	1.50
mm	82	124	140	117	10	5.5	38



**Dimensions for Valox® Back Boxes**

UNIT	A	B	C	D	E	F	G
<b>20 Amp &amp; 30 Amp - 1" Hub</b>							
inch	6.69	5.91	4.53	3.90	2.35	2.35	0.25
mm	170.0	150.0	115.0	99.0	60.0	60.0	6.5
<b>60 Amp - 1½" Hub</b>							
inch	7.68	6.92	5.20	4.65	2.99	2.99	0.31
mm	195.0	176.0	132.0	118.0	76.0	76.0	8.0
<b>100 Amp - 2" Hub</b>							
inch	8.23	7.39	6.30	5.71	3.99	3.33	0.33
mm	209.0	188.0	160.0	145.0	101.0	84.5	8.5

Valox® is a registered trademark of GE.

