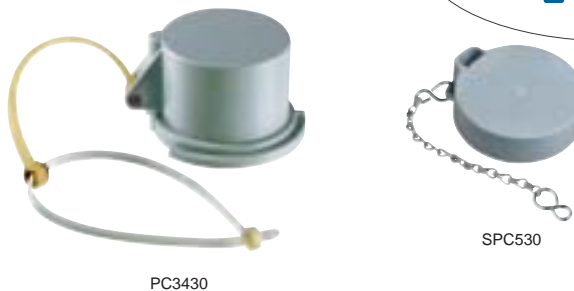




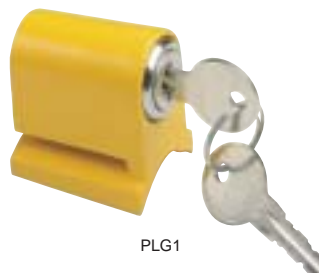
**Protective Closure Caps for Plugs and Inlets**

APPLICATION	WATERTIGHT CATALOG NO.	SPLASHPROOF CATALOG NO.
20 Amp, 3-wire	PC320	SPC320
20 Amp, 4-wire	PC420	SPC420
20 Amp, 5-wire	PC520	SPC520
30 Amp, 3-, 4-wire	PC3430	SPC3430
30 Amp, 5-wire	PC530	SPC530
All 60 Amp	PC60	-
All 100 Amp	PC100	-



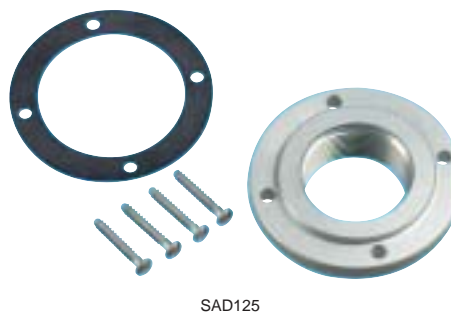
**Lockout/Tagout for Pin and Sleeve Devices**

APPLICATION	CATALOG NUMBER WATERTIGHT & SPLASHPROOF
Can be used for any IEC 309-1 and 309-2 pin and sleeve plugs or inlets	PLG1



**Liquid-Tight Adapters**

APPLICATION	LIQUID-TIGHT CONDUIT SIZE	CATALOG NUMBER
20 Amp, 3-4 Wire	1/2" NPT	SAA12
20 Amp, 5 Wire	1/2" NPT	SAB12
30 Amp, 3-4 Wire	3/4" NPT	SAB34
30 Amp, 5 Wire	3/4" NPT	SAC34
30 Amp, 5 Wire	1" NPT	SAC100
60 Amp, All	1 1/4" NPT	SAC125
100 Amp, All	1 1/4" NPT	SAD125



**Replacement Watertight Closure Cover Kit for Connectors and Receptacles**

APPLICATION	CATALOG NUMBER
20 Amp, 3-wire	CA320
20 Amp, 4-wire	CA420
20 Amp, 5-wire	CA520
30 Amp, 3-, 4-wire	CA343
30 Amp, 5-wire	CA530
All 60 Amp	CA060
All 100 Amp	CA100



**Replacement Watertight Locking Ring for Plugs and Inlets**

APPLICATION	CATALOG NUMBER
20 Amp, 3-wire	RA320
20 Amp, 4-wire	RA420
20 Amp, 5-wire	RA520
30 Amp, 3-, 4-wire	RA343
30 Amp, 5-wire	RA530
All 60 Amp	RA060
All 100 Amp	RA100

