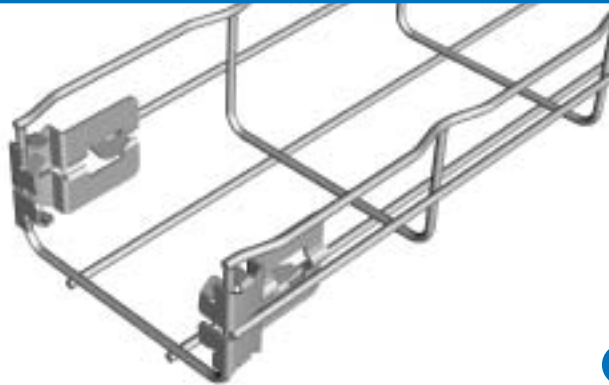


FCF 54 FASCLIC TRAY

2" / 54 MM

2"-4" / 50-100 MM

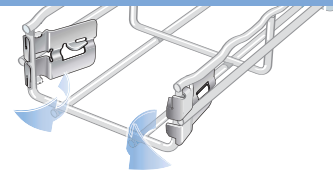
10' / 3 M



- Tray includes preinstalled splices to speed install time.
- Locking tabs make for a secure splice.

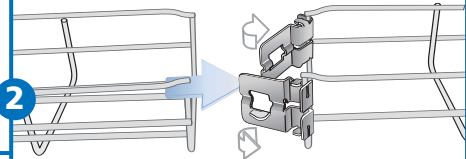
ASSEMBLY

1



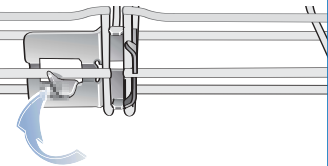
FOLD PREINSTALLED SPLICES OUT

2



ALIGN TWO TRAY SECTIONS

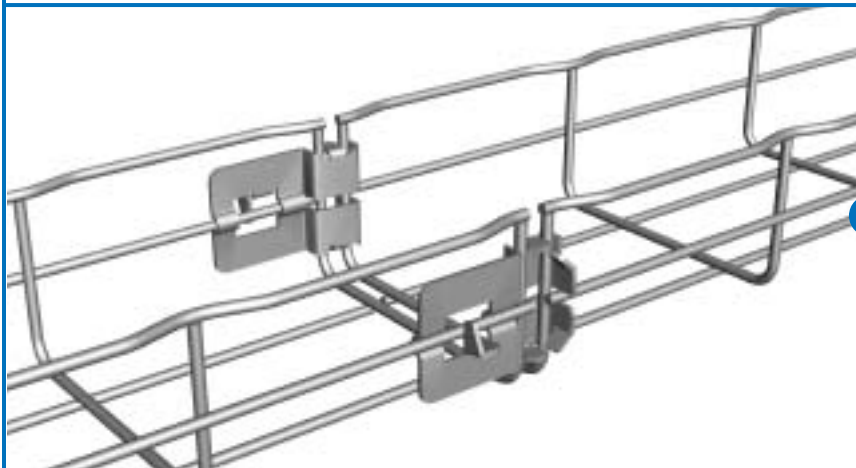
3



SPLICE SNAPS INTO PLACE, THEN USE PLIERS TO BEND LOCKING TABS TO SECURE SPLICE

		H		W		L		Weight	
		INCHES	MM	INCHES	MM	FT	M	LBS	KG
FCF 54/50		2"	54	2"	50	10'	3	5.3	2.4
FCF 54/100		2"	54	4"	100	10'	3	6.6	3.0

EZ **304L** **316L**



New from Cablofil! Introducing FASCLIC tray, the fastest wire cable tray splice on the market. Preinstalled splices on CF 54 tray gives you the edge on time-critical installations—all you need are pliers to lock splices in place. FASCLIC tray is available in 2" and 4" widths for lightweight cable runs. As with all Cablofil tray, it can be fabricated on site to match any installation configuration with side action bolt cutters.

Finishes: EZ=Electrozinc 304L=Stainless Steel 304L 316L=Stainless Steel 316L



CORPORATE OFFICES

8319 State Route 4
 Mascoutah, IL 62258 USA
 Phone: 618-566-3230
 800-658-4641
 Fax: 618-566-3250
www.cablofil.com